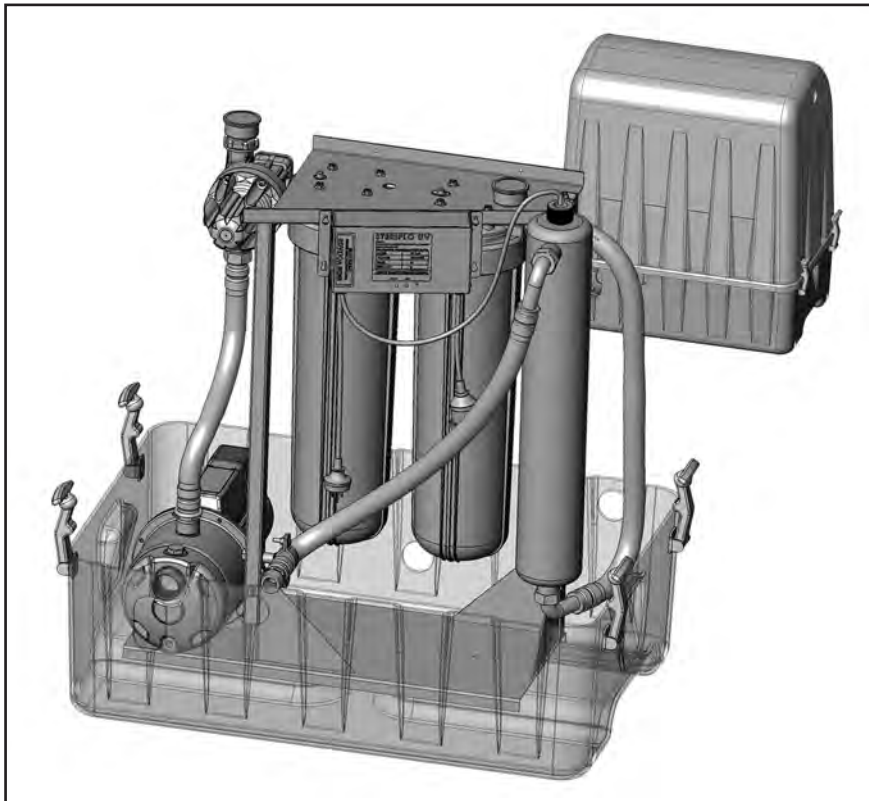


AQUASHIELD® MAX UV PRESSURE SYSTEMS
Model Numbers: ASHS60-08T, ASHM60-10T
ASHS60-08RB &
ASHM60-10RB

DEPEND ON
DAVEY

WATER PRODUCTS



AQUASHIELD® MAX

PRODUCT DESCRIPTION

Factory matched rainwater management and treatment packages for both tank only and mains water back-up installations.

APPLICATIONS

- Pressure boosting & disinfection of rainwater
- School shower & toilet blocks
- Commercial toilet flushing
- Large home potable water supply
- Industry process water treatment
- Guest house potable water supply
- Bacteria and algae growth control for aquaculture and water features
- Also suitable for bore and surface water treatment – subject to water quality

FEATURES & BENEFITS

Davey's proven 3 stage water disinfection & filtration process will ensure a safe and hygienic water supply*

Factory matched and tested package ensures the correct UV dosage is delivered with high reliability.

Pump interlock detects lamp failure and locks pump out ensuring only disinfected water is delivered.

Lamp count down timer with set limit of 9000 hours (1 year) ensures only disinfected water is delivered.

Durable UV resistant cover allows for flexible, vandal resistant, exterior installation.

Anti-cycling controller eliminates energy wasting and nuisance pump cycling maximizing.

RainBank® MKII controller option;

- Provides seamless automatic mains water back-up and source indication
- Automatically revert to mains water if power fails or pump is removed
- Incorporates an in-built 25mm Dual Check Valve for backflow prevention and plumbing code compliance

Torium® T70 controller option;

- Intelligent automatic pump control maximises pump efficiency by adjusting run on time and cut in pressures.
- Offers 'loss of prime protection' with auto retry to protect your investment while offering convenience and dependability.

High efficiency Steriflo UV disinfection system with low pressure lamp and test tube quartz sleeve for easy cleaning and high performance.

2 x 20" jumbo cartridge Filterpure filter housings for low friction losses and long cleaning intervals ensuring an efficient, economical system.

20 micron pre-filtration for long cleaning intervals with dirt, rust, sediment and debris reduction

1 micron filtration for parasitic cyst reduction and to reduce 'shadowing' of bacteria and virus.

Pressure drop 'Gauge Set' for simple filter condition diagnosis.

*Cannot treat water contaminated by metals, chemicals, algal toxins or radiation.
 **Will vary depending on water quality. Check pressure drop 'Gauge Set'.
 Based on clean rainwater.

OPERATING LIMITS

Capacities to	70lpm
Max. system pressure	700kPa
Max. mains water pressure for RB models	850kPa
Water temperature range	8°C-40°C
Max. ambient temperature	50°C
Lamp life	9,000 hrs (one years operation)

SERVICE INTERVALS**

20 Micro Filter	Clean	3 months
	Replace	up to 12 months
1 Micro Filter	Replace	up to 12 months
UV Lamp	Replace	12 months
UV Quartz Sleeve	Clean	12 months



TECHNICAL SPECIFICATIONS

MATERIALS OF CONSTRUCTION

PART	MATERIAL
Housing	
Cover	Polyethylene
Frame	304 stainless steel
Pumps	
Pump casing	304 stainless steel
Pump backplate	304 stainless steel
Pump stages	HM 304 stainless steel
	HS Glass filled Noryl
Pump impellers	HM 304 stainless steel
	HS Glass filled polycarbonate
Pump shaft	HM 316L stainless steel
	HS 303 stainless steel
Neck rings	HM Teflon
	HS Polypropylene & teflon
Mechanical seal	Carbon / ceramic
Orings	HM EPDM
	HS Nitrile rubber
Motor shell & lantern bracket	Marine grade aluminium with baked polyester powder coat

Controller - Torrium®	
Housing	Glass reinforced nylon
Diaphragm	Santoprene 87
Springs	Molybond coated tempered steel
Sensor plate	High grade Titanium
Flange adaptor & nut	Glass reinforced nylon
Orings	Nitrile

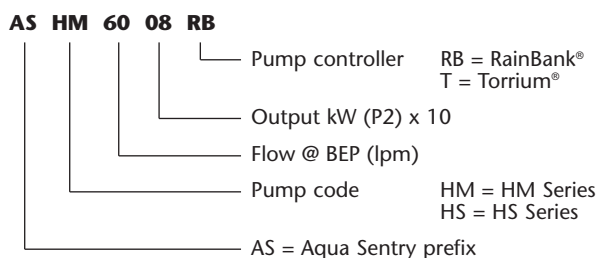
Controller - RainBank®	
Housing	Glass reinforced ABS & Noryl
Diaphragm	Santoprene 87
Dual check	D.R Brass
Sensor plate	316 stainless steel

Filters	
Filter housing	Glass reinforced polypropylene
20 micron filter	Pleated polyester fabric
1 micron filter	Spun melt polypropylene fabric

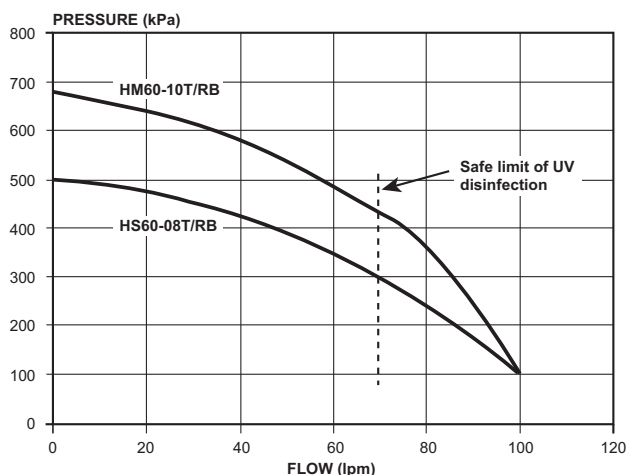
Steriflo® UV disinfection unit	
Chamber	304 stainless steel
Lamp	Low pressure high intensity
Sleeve	Quartz

Pipework	
Braided hose	Silicone lined stainless steel

IDENTIFICATION OF THE SYSTEM



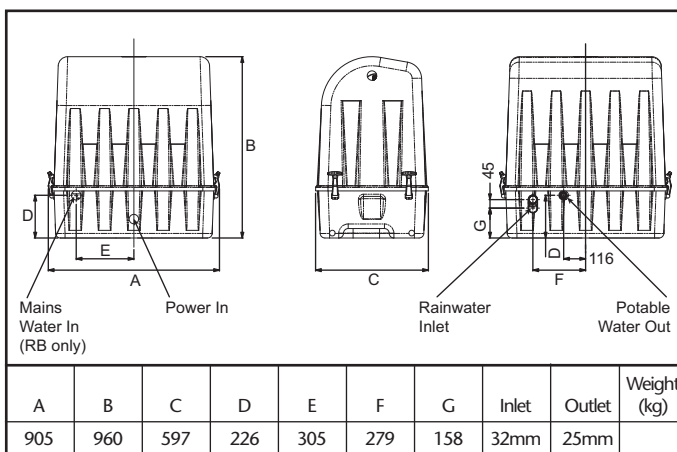
HYDRAULIC PERFORMANCE



ELECTRICAL DATA

	ASHS60-08T	ASHM60-10T	ASHS60-08RB	ASHS60-10RB
Supply voltage	220-250V			
Supply frequency	50Hz			
Phase	Single			
Motor speed	2850	2900	2850	2900
Full load current	4.9A	5.9A	4.9A	5.9A
Locked rotor current	18.0A	28.0A	18.0A	28.0A
Input power (P1)	1.1kW	1.25kW	1.1kW	1.25kW
Output power (P2)	0.76kW	0.94kW	0.76kW	0.94kW
Enclosure class	IP56			
Standby lamp power	45W			
Motor insulation	Class F			
Motor starting	PSC			

DIMENSIONS



All dimensions in mm unless otherwise stated.

This literature is not a complete guide to product usage. Further information is available from your Davey dealer, Davey Customer Service Centre and from the relevant product Installation and Operating Instructions. This data sheet must be read in conjunction with the relevant product Installation and Operating Instructions and all applicable statutory requirements. Product specifications may change without notice.

© Davey is a registered trademark of Davey Water Products Pty Ltd. © Davey Water Products Pty Ltd 2008.



DEPEND ON
DAVEY

WATER PRODUCTS

Davey Water Products Pty Ltd International

Member of the GUD Group
ABN 18 066 327 517
Head Office and Manufacturing
 6 Lakeview Drive,
 Scoresby, Australia 3179
 Ph: +61 3 9730 9222
 Fax: +61 3 9753 4100
 Website: davey.com.au
Customer Service Centre
 Ph: 1300 367 866
 Fax: 1300 369 119
 E-mail: sales@davey.com.au
Interstate Offices
 Sydney • Brisbane • Adelaide
 Perth • Townsville

6 Lakeview Drive,
 Scoresby, Australia 3179
 Ph: +61 3 9730 9121
 Fax: +61 3 9753 4248
 E-mail: export@davey.com.au

Germany
 Kantstrasse 53,
 04275 Leipzig
 Ph: +49 341 301 0412
 Fax: +49 341 301 0413
 E-mail: akrenz@daveyeurope.com

New Zealand
 7 Rockridge Avenue,
 Penrose, Auckland 1061
 Ph: +64 9 570 9135
 Fax: +64 9 527 7654
 Website: daveynz.co.nz
 E-mail: sales@daveynz.co.nz

USA - Davey Pumps Inc.
 1005 N. Commons Drive
 Aurora, Illinois 60504
 Ph: +1 630 898 6976
 Fax: +1 630 851 7744
 Website: daveyusa.com
 E-mail: sales@daveyusa.com

APPLICATIONS

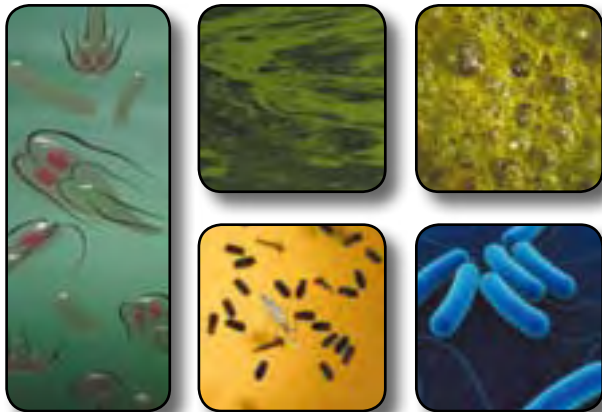
Aquashield® MAX packages are ideal for pressure boosting & disinfection of rainwater for:

- Household potable (drinking) water supply
- School showers and toilet blocks
- Commercial toilet flushing
- Industry process water treatment
- Guest house potable water supply
- Bacteria and algae growth control for aquaculture and water features
- Also suitable for clean bore and surface water treatment, subject to a water test.

UV DISINFECTION

Bird and animal droppings can contaminate your rainwater catchment area with micro-organisms such as viruses, bacteria and parasitic cysts. UV light generated at 254 nanometers inactivates micro-organisms by damaging their DNA. Without their ability to reproduce, they cannot cause infection in humans.

Passing filtered water through a Steriflo unit exposes the organisms living in your rainwater to a dose of UV light sufficient to inactivate the vast majority of common water-borne threats to your family's health. UV light does not leave residual chemicals that can leave a taste in your drinking water. It's also impossible to overdose.



Available from:

DEPEND ON
DAVEY

WATER PRODUCTS



Visit Davey on-line for further information
davey.com.au

Davey Water Products Pty Ltd

Member of the GUD Group
ABN 18 066 327 517

Head Office and Manufacturing

6 Lakeview Drive,
Scoresby, Australia 3179
Ph: +61 3 9730 9222
Fax: +61 3 9753 4100
Website: davey.com.au

Customer Service Centre

Ph: 1300 367 866
Fax: 1300 369 119
E-mail: sales@davey.com.au

Interstate Offices

Sydney • Brisbane • Adelaide
• Perth • Townsville

International

6 Lakeview Drive,
Scoresby, Australia 3179
Ph: +61 3 9730 9121
E-mail: export@davey.com.au

USA

Website: daveyusa.com
E-mail: sales@daveyusa.com

Davey Water Products – New Zealand

7 Rockridge Avenue,
Penrose, Auckland 1061
Ph: +64 9 570 9135
Fax: +64 9 527 7654
Website: daveynz.co.nz
E-mail: sales@daveynz.co.nz

Davey Spa – New Zealand

2 Rothwell Avenue,
North Harbour, Auckland 0632
Ph: +64 9 415 8622
Fax: +64 9 415 8621
Website: spa-quip.co.nz
E-mail: service@spa-quip.co.nz

TREAT YOUR WATER BETTER



- PROVEN 3 STAGE PROCESS •
- AUTOMATIC TREATMENT OF RAINWATER •
- READY TO INSTALL PACKAGES •
- FACTORY MATCHED & TESTED SYSTEMS •

DEPEND ON
DAVEY

WATER PRODUCTS

Aquashield® MAX offers automatic, simple to install and operate, rain water treatment and boosting packages for demanding applications such as large homes, commercial properties and schools.

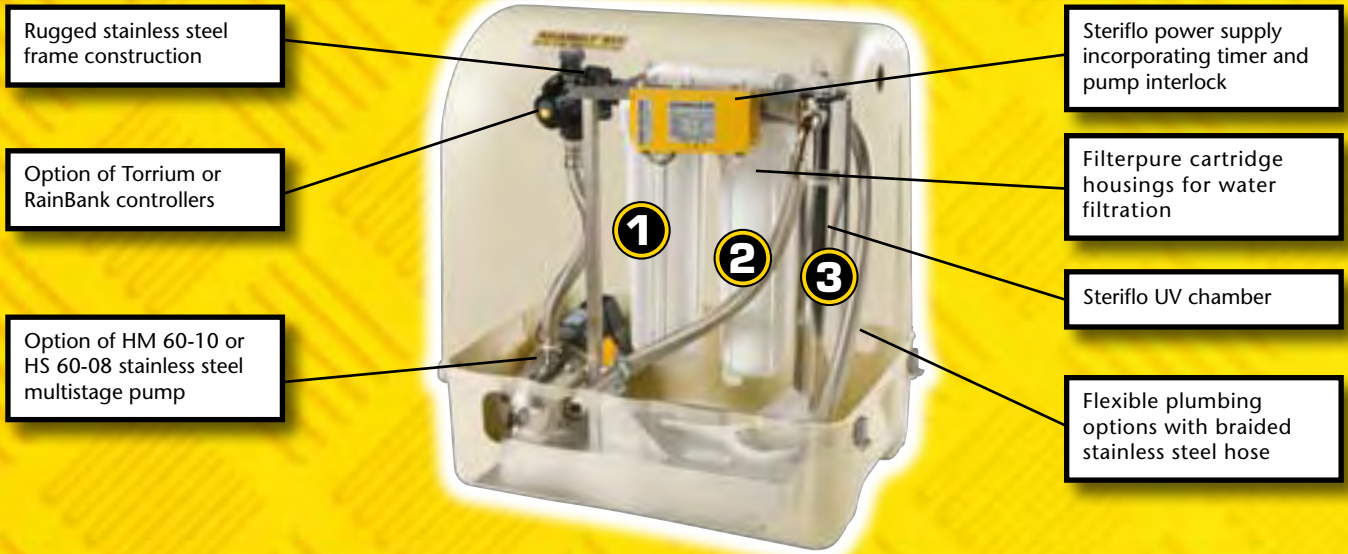
FEATURES & BENEFITS

- Factory matched and tested package ensures the correct UV dosage is delivered with high reliability in an easy to use 'plug and play' package.
- Automatic UV lamp and pump management systems ensure only disinfected water is delivered.
- Anti-cycling controllers eliminate energy wasting and nuisance pump cycling, maximizing efficiency and convenience.
- Davey's proven 3 stage rainwater disinfection and filtration process will dependably protect your family's health.*
- High flow rate and low friction loss filtration systems that have been optimized to create long intervals between cleaning and low lifecycle costs.

*Cannot treat water contaminated by metals, chemicals, algal toxins or radiation. If you suspect you have these issues, seek further expert advice.



Aquashield® MAX SYSTEM LAYOUT & COMPONENTS



3 STAGE TREATMENT PROCESS

- 1 20 Micron Filtration –** Removes larger solids such as decaying leaf matter, dust and dirt, while allowing simple maintenance.
- 2 1 Micron Filtration –** Removes small solids and cysts and clarifies water to improve UV transmittance.
- 3 UV Disinfection –** Inactivates micro-organisms to protect your family's health.

SELECTING A SYSTEM

Pressure	Outlets	Single Water Source With Torrium Controller	Dual Water Source With RainBank MKII Controller
Standard Pressure Up to 500kPa	🔌🔌🔌🔌🔌 Up to 70 lpm	ASHS60-08T	ASHS60-08RB
Premium Pressure Up to 700kPa	🔌🔌🔌🔌🔌 Up to 70 lpm	ASHM60-10T	ASHM60-10RB