

SUBMERSIBLE DRAINAGE PUMPS

Model Numbers: **D42A, D42M,
D42A/B, D53A/B**

DEPEND ON
DAVEY

WATER PRODUCTS



SUMP PUMPS

PRODUCT DESCRIPTION

Submersible sump pump with two and three impeller designs for higher pressure, up to 45m head

APPLICATIONS

- Lawn & garden irrigation
- Sump emptying to higher heads
- Treated effluent disposal
- Water transfer from wells
- A/B models are specially designed for non potable rainwater applications

"A" suffix models equipped with present length automatic float switch fitted for automatic operation.

FEATURES & BENEFITS

Double mechanical seal, one in oil bath on motor and extra mechanical seal on pump

- Superior reliability
- Long service life

Corrosion resistant 304 stainless steel shaft, motor shell and fasteners

- Long service life

D42A/B & D53A/B have cast 316 stainless steel motor caps and super tough engineered thermo plastic pump casing

- Outstanding corrosion resistance
- Long life

Centrifugal multistage 2 & 3 impeller designs

- Higher pressures & increased efficiency

Closed vane impellers with long engagement "D" drives

- Positive operation
- Long service life

D42A & D42M have labyrinth impeller neck rings

- Maintain pump performance
- Less susceptible to wear

D42A/B & D53A/B have patented independently floating neck rings

- Outstanding pump performance
- Long pump life

Corrosion resistant hard wearing polycarbonate impellers

- Long service life

Corrosion resistant stainless steel fine mesh suction strainer with large surface area

- Prevents blockages of the pump by solids

In-built automatic thermal overload

- Protects the motor in the event of blockage or voltage supply problems

HO7RNF oil resistant leads, 10 metres long with 3 pin power plug

- Easy to connect to power supply
- Longer life in dirty water

OPERATING LIMITS

	D42A/M	D42A/B, D53A/B
Capacities to	110 lpm	130 lpm
Max. total head	26m	32m, 45m
Max. submergence		12m
Max. pumped water temperature		40°C
Max. soft solids		1.9mm O.D.
Outlet size (BSP)		1" F

Suitable Fluids

Clean water of neutral pH containing up to 1% small solids. Some wear should be expected while pumping hard solids in suspension.

TECHNICAL SPECIFICATIONS

MATERIALS OF CONSTRUCTION

PART	MATERIAL
Impeller	Glass filled polycarbonate
Lock nut	304 stainless steel
Pump casing	Cast iron - FC200 (D42A&M) Glass filled polycarbonate (D42A/B), (D53A/B)
Diffuser and blanking ring	Glass filled noryl
Mechanical seal - pump	Carbon/ceramic
Mechanical seal - motor	Silicon carbide/ceramic in oil bath
Shaft seal elastomer	Nitrile rubber
Pump shaft	304 stainless steel
Orings	Nitrile rubber
Motor shell	304 stainless steel
Bottom bearing housing	Cast iron - FC200 (D42A&M) Cast 316 stainless steel (D42A/B), (D53A/B)
Upper motor cover	Cast iron - FC200 (D42A&M) Cast 316 stainless steel (D42A/B), (D53A/B)
Handle	304 stainless steel
Fasteners	304 stainless steel
Float & power supply leads	HO7RN-F oil resistant

ELECTRICAL DATA

	D42, D42A/B	D53A/B
Supply voltage	220-240V	
Supply frequency	50Hz single phase	
Speed	2 pole, 2850rpm	
Full load current	4.0A	5.7A
Locked rotor current	14A	
Input power (P ₁)	0.94kW	1.31kW
Output power (P ₂)	0.60kW	0.84kW
IP rating	X8	
Insulation class	Class F	
Starting	P.S.C.	
Lead	10m long	

INSTALLATION & PRIMING

Use a rope to position and retrieve the pump. Do not lower or retrieve the pump using the power lead as this may damage the cable entry seals, causing water leaks and unsafe operation.

Don't use this product for recirculating or filtering swimming pools, spas, etc. While these pumps are built to high safety standards, they are not approved for installations where people will be in the water while they are operating.

Don't pump abrasive materials. Sand and grit in the water being pumped will accelerate wear, causing shortened pump life.

Keep your pump clean, particularly in situations where lint, hair or fibrous materials may get bound around the pump shaft. Regular inspection and cleaning will extend pump life.

Make room for the float switch to operate. Automatic models have a float switch to turn them on when the water level rises and turn them off again when it has been pumped down to the safe operating level of the pump. If the float switch is not free to rise and fall, correct pump operation may not be possible.

Don't run your pump dry. Non-automatic models must be switched off manually or by way of an external float/level switch when the water level is reduced to the top of the pump housing.

This literature is not a complete guide to product usage. Further information is available from your Davey dealer, Davey Customer Service Centre and from the relevant product installation and Operating Instructions. This data sheet must be read in conjunction with the relevant product Installation and Operating Instructions and all applicable statutory requirements. Product specifications may change without notice.

© Davey is a registered trademark of Davey Products Pty Ltd. © Davey Products Pty Ltd 2001.

DEPEND ON
DAVEY

WATER PRODUCTS

Davey Water Products Pty Ltd

Member of the GUD Group
ABN 18 066 327 517

Head Office and Manufacturing

6 Lakeview Drive,
Scoresby, Australia 3179
Ph: +61 3 9730 9222
Fax: +61 3 9753 4100
Website: davey.com.au

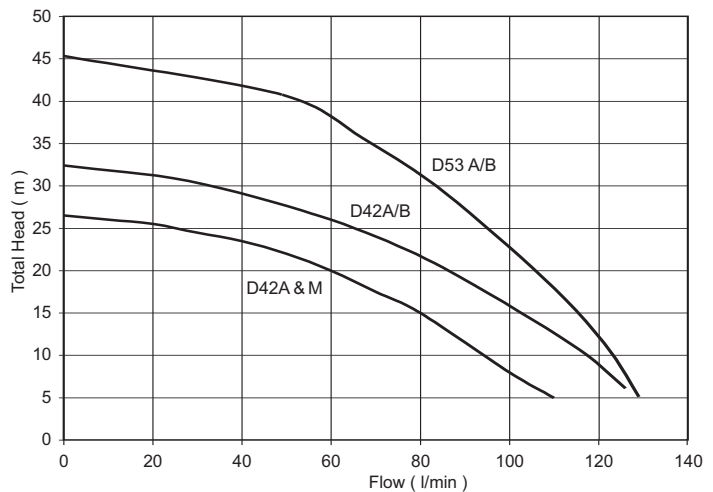
Customer Service Centre

Ph: 1300 367 866
Fax: 1300 369 119
E-mail: sales@davey.com.au

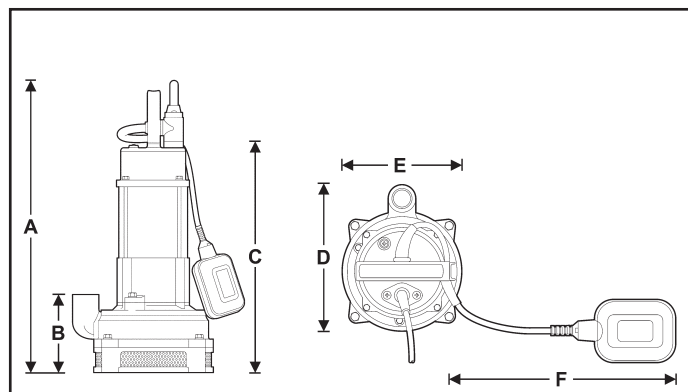
Interstate Offices

Sydney • Brisbane • Adelaide
Perth • Townsville

HYDRAULIC PERFORMANCE



DIMENSIONS



Model	A	B	C	D	E	F	Outlet B.S.P.	Net Weight (kg)
D42A	475	130	370	235	195	330	1" F	20
D42M	475	130	370	235	195	330	1" F	19.5
D42A/B	475	130	370	235	195	330	1" F	18.5
D53A/B	535	170	430	235	195	330	1" F	19.5

All dimensions in mm unless otherwise stated.



Visit Davey on-line for further information
davey.com.au

International

6 Lakeview Drive,
Scoresby, Australia 3179
Ph: +61 3 9730 9121
Fax: +61 3 9753 4248
E-mail: export@davey.com.au

Germany

Kantstrasse 53,
04275 Leipzig
Ph: +49 341 301 0412
Fax: +49 341 301 0413
E-mail: akrenz@daveyeurope.com

USA

Ph: +1 630 898 6976
Website: daveyusa.com
E-mail: sales@daveyusa.com

Davey Water Products - New Zealand

7 Rockridge Avenue,
Penrose, Auckland 1061
Ph: +64 9 570 9135
Fax: +64 9 527 7654
Website: daveynz.co.nz
E-mail: sales@daveynz.co.nz

Davey Spa - New Zealand

2 Rothwell Avenue,
North Harbour, Auckland 0632
Ph: +64 9 415 8622
Fax: +64 9 415 8621
Website: spa-quip.co.nz
E-mail: service@spa-quip.co.nz