

Micro-Sprinklers - Parts

2001



Fig.	Cat no.	Description
1	810602	Bridge
2	714000	Bridge with spring
3	816208	Swivel: black
3	816203	Swivel: blue
3	816205	Swivel: short range, orange
3	816207	Swivel: red
4	816218	Swivel: 2-stage, black
4	816213	Swivel: 2-stage, blue
4	816217	Swivel: 2-stage red
5	810202	Swivel: upside down, green
6	81010X	Nozzle
7	810402	Rubber disk (EPDM), black
8	810500	Housing barbed
9	810502	Housing female
10	810504	Housing threaded 3/8 BSP

Dan-Jet

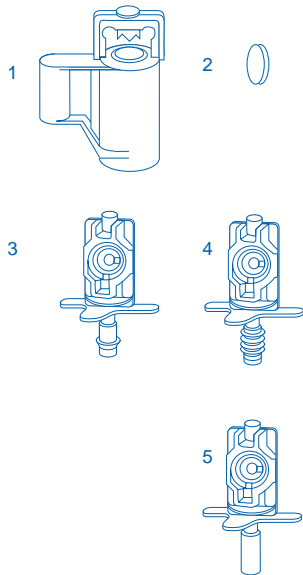


Fig.	Cat no.	Description
1	820500	Housing: 12 jets
1	820505	Housing: 16 jets
1	820507	Housing: 20 jets
1	820512	Housing: 300°
1	820510	Housing: 180°
1	820514	Housing: flat
1	820501	Housing: inverted
2	820402	Rubber disk EPDM, black
3	82210X	Nozzle: barbed
4	82215X	Nozzle: threaded
5	82214X	Nozzle: parallel

Micro-Sprinklers