

4" Super Angle Manual Disc Filter

Features

- High flow capacity
- Durable filter element
- Corrosion free
- All Plastic
- Precise disc filtration

Manual Filters



Technical Data

	METRIC		US	
	mm		in	
Connection diameter	mm	110	in	4
Filtration surface area	cm ²	1,852	in ²	287
Filtration volume	cm ³	1,774	in ³	108
Pressure rating	bar	10	psi	145
Max. temp.	0C	70	0F	158

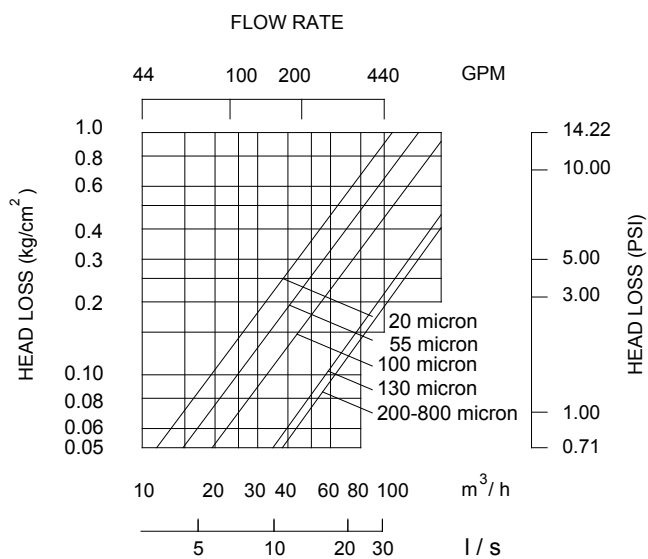
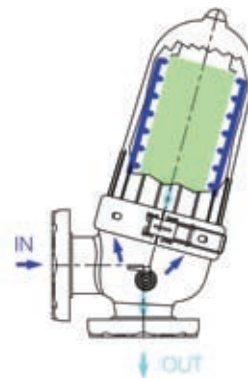
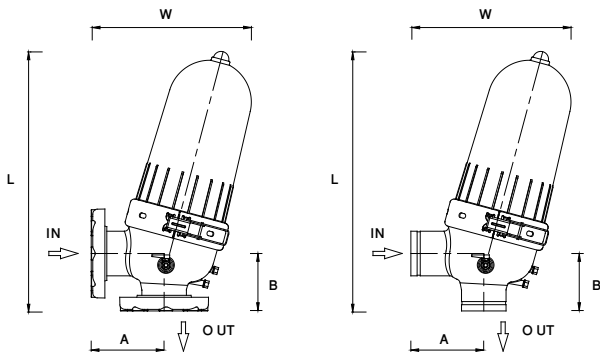
Maximum Filtration Flow Rate / Water Quality

Filtration Grade	Water Quality	m ³ /h	gpm
400-130 μ	Good	90	396
	Average	60	264
100 μ	Good	50	220
	Average	40	176
55 μ	Good	35	154
	Average	24	106
20 μ	Good	18	79
	Average	12	53

4" Super Angle Manual Disc Filter

Dimensions and Weights

D Inlet/Outlet diameter	mm	110	inch	4
L Length	mm	700	inch	27 ⁹ / ₁₆
W Width	mm	400	inch	15 ³ / ₄
A	mm	185	inch	7 ⁹ / ₃₂
B	mm	145	inch	5 ²³ / ₃₂
Shipping weight (approx.)	kg	13.16	lbs	29



4" SuperAngle Filter
is available in:
Polypropylene.

ARKAL 4" SUPER ANGLE FILTER

Cat. no.: 1410 1___ VICTAULIC ENDS

Cat. no.: 1410 5___ ARKAL FLANGES

PARTS LIST

No.:	Cat. No.:	DESCRIPTION	MATERIALS
1.	2501 0601	FILTER COVER	P.P.
2.	5005 0004	HYDRAULIC SEAL	EPDM
3.	5042 0060	CLAMP	S.S
4.	2506 0302	3"-4" SPINE TIGHTENING NUT	R.P.P.
5.	2506 0304	3"-4" SPINE CAP	R.P.P.
6.	2033 2___	DISC SET	PP
7.	5003 2220	"O" RING 2-220	EPDM
8.	2502 0302	3"-4" SPINE 99	R.P.P.
9.	5054 0212	1/2" TAP	BRASS
10.	2140 2___	3"-4" FILTER ELEMENT	—
	2199 0043	3"-4" SPINE (W/O DISC SET)	—
11.	2241 1001	4" BODY COMPLEX VICTAULIC ENDS	—
11.1	2241 5001	4" BODY COMPLEX (WITH FLANGES)	—
14.	2253 0425	4" ARKAL FLANGE (ASA,BSTD,DIN)	—
14.1	2510 0425	4" RING FLANGE (ASA,BSTD,DIN)	R.P.A
14.2	2507 0402	CONE FLANGE	POM
14.3	5005 2014	4" GASKET	EPDM

MATERIALS:

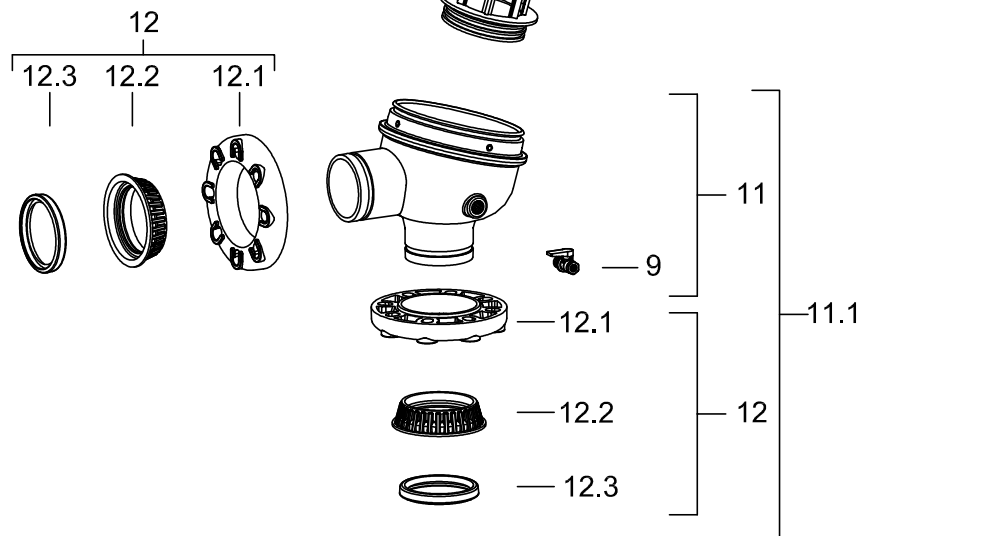
R.P.P - REINFORCED POLYPROPYLENE

R.P.A - REINFORCED POLYAMIDE

S.S - STAINLESS STEEL

PP - POLYPROPYLENE

POM - ACETAL



04.05.06

N:\PERSOMET\4INCH\ 1410 ___ COM.DWG