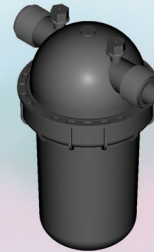


1" Short

Manual Disc Filter

Features

- Precise disc filtration
- Durable filter element
- All plastic-corrosion free



Technical Data

	METRIC	US
Connection diameter	mm 25	in 1
Filtration surface area	cm ² 308	in ² 48
Filtration volume	cm ³ 370	in ³ 22
Pressure rating	bar 10	psi 145
Max. temp.	°C 70	°F 158

Maximum Filtration Flow Rate / Water Quality

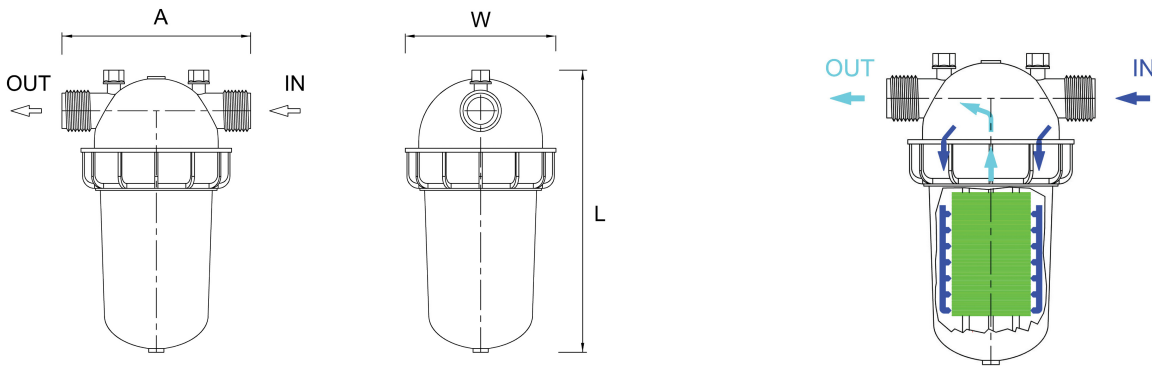
Filtration Grade	Water Quality	m ³ /h	gpm
400-130 μ	Good	6	26.5
	Average	4.5	20
55 μ	Good	4.2	18.5
	Average	3.15	14

1" Short

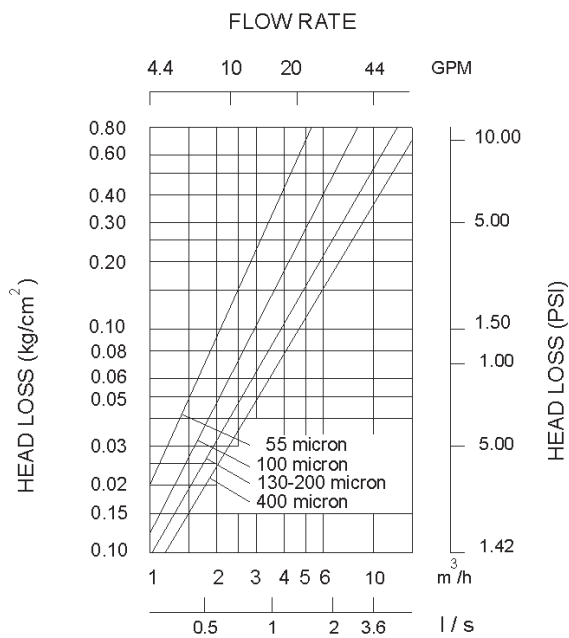
Manual Disc Filter

Dimensions and Weights

D Inlet/Outlet diameter	mm	25	inch	1
L Length	mm	233	inch	9 ³ / ₁₆
W Width	mm	130	inch	5 ³ / ₃₂
A	mm	158	inch	6 ⁷ / ₃₂
Shipping weight (approx.)	kg	1.1	lbs	2.4



Head Loss Chart, Clean State



1" Short is available in:
Polyamide or Polypropylene.

ARKAL 1" SHORT FILTER

Cat. no.: 1100 0____ - STANDARD

Cat. no.: 1100 1____ - WITH TAP

PARTS LIST

No:	CAT.No:	DESCRIPTION	MATERIALS
1.	2511 0103	GAUGE PORTS NUT	R.PP
2.	5006 0004	GAUGE PORTS SEAL	EPDM
3.	2507 0100	FILTER ADAPTOR RING	R.PA
4.	2507 0102	STOP RING FOR ELEMENT	PBT
5.	2010 1____	DISC SET	PP
6.	2502 0100	SPINE	R.PA
7.	5002 9004	90*4 "O"-RING	NBR
8.	5044 0010	FILTER SPRING	S.S
9.	2501 0100	FILTER COVER	R.PA
10.	5054 0008	1/4" TAP (*)	BRASS
11.	2506 0100	FIXING NUT	R.PA
12.	2110 1____	FILTER ELEMENT	
13.	2530 0115	1.5"-1" FILTER WRENCH	R.PA
14.	2208 0001	FILTER BODY COMPLEX BSP	
	2208 0002	FILTER BODY COMPLEX NPT	

MATERIALS:

R.PA - REINFORCED POLYAMIDE

PP - POLYPROPYLENE

S.S - STAINLESS STEEL

R.PP - REINFORCED POLYPROPYLENE

PBT - POLYESTER

