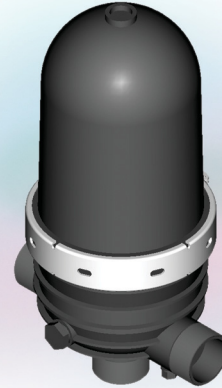


2" Dual

Manual Disc Filter

Features

- Precise disc filtration
- High flow capacity
- Durable filter element
- All plastic-corrosion free



Technical Data

	METRIC	US
Connection diameter	mm 50	in 2
Filtration surface area	cm ² 950	in ² 148
Filtration volume	cm ³ 1,225	in ³ 75
Pressure rating	bar 12	psi 168
Max. temp.	°C 70	°F 158

Maximum Filtration Flow Rate / Water Quality

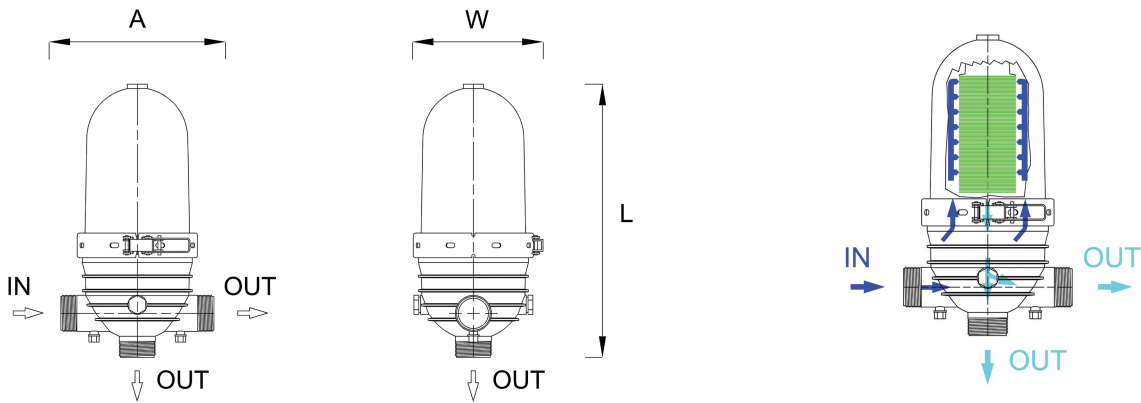
Filtration Grade	Water Quality	m ³ /h	gpm
400-130 μ	Good	25	110
	Average	18.75	82.5
55 μ	Good	17.5	77
	Average	13.1	58
20 μ	Good	12.5	55
	Average	9.37	41

2" Dual

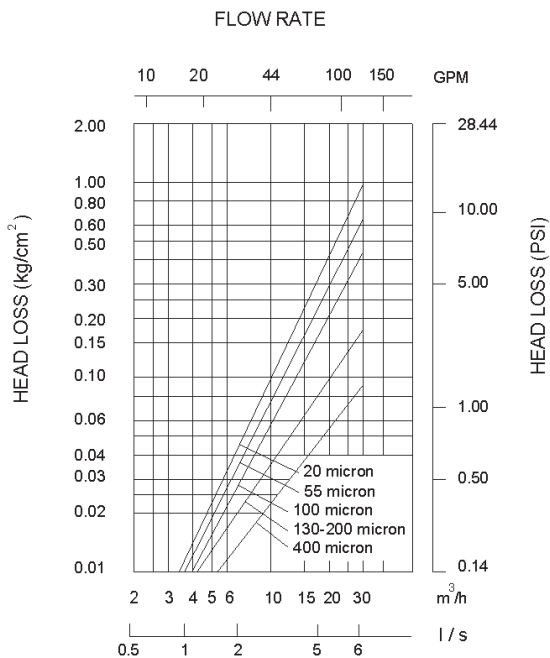
Manual Disc Filter

Dimensions and Weights

D Inlet/Outlet diameter	mm	50	inch	2
L Length	mm	465	inch	18 ⁵ / ₁₆
W Width	mm	200	inch	7 ⁷ / ₈
A	mm	260	inch	10 ¹ / ₄
Shipping weight (approx.)	kg	5	lbs	11



Head Loss Chart, Clean State



2" Dual is available in:
Polyamide or Polysulfon.

ARKAL 2" DUAL FILTER with a detachable spine

Cat. no.: 1204 0__ STANDARD (BSP)

Cat. no.: 1204 3__ WITH TAP (BSP)

Cat. no.: 1204 8__ STANDARD (NPT)

Cat. no.: 1204 7__ WITH TAP (NPT)

PARTS LIST

No:	CAT. No:	DESCRIPTION	MAT.
1.	2511 0103	GAUGE PORTS NUT	R.P.P.
2.	5006 0004	GAUGE PORTS SEAL	EPDM
3.	2511 0200	2" CAP	R.P.A.
4.	5019 0112	1/2" PLUG	P.P.
5.	5003 2238	O-RING 2-238	EPDM
6.	2502 0212	SPINE	P.P.
7.	2021 1__	DISC SET	P.P.
8.	2502 0214	SPINE EXTENSION	P.P.
9.	2506 0211	FIXING NUT	R.P.P.
10.	5040 1010	FASTNING BOLT	S.S.
11.	5042 0030	CLAMP	S.S.
12.	5005 0002	COVER SEAL	EPDM
13.	2501 0220	FILTER COVER	R.P.A.
	2202 0022	FILTER COVER WITH STOPPER W/3/4" THREAD	
	2501 9220	TRANSPARENT COVER WITH STOPPER	P.C.
14.	5054 0212	1/2"*1/4" TAP (*)	BRASS
15.	2121 1__	FILTER ELEMENT	
16.	2204 0001	FILTER BODY COMPLEX BSP	
	2204 0002	FILTER BODY COMPLEX NPT	

MATERIALS:

R.P.P. - REINFORCED POLYPROPYLENE

R.P.A. - REINFORCED POLYAMIDE

S.S. - STAINLESS STEEL

P.P. - POLYPROPYLENE

P.C. - POLYCARBOTANE

