

2" Super

Manual Disc Filter

Features

- Precise disc filtration
- High flow capacity
- Durable filter element
- All plastic-corrosion free



Technical Data

	METRIC	US
Connection diameter	mm 50	in 2
Filtration surface area	cm ² 950	in ² 148
Filtration volume	cm ³ 1,225	in ³ 75
Pressure rating	bar 10	psi 145
Max. temp.	°C 70	°F 158

Maximum Filtration Flow Rate / Water Quality

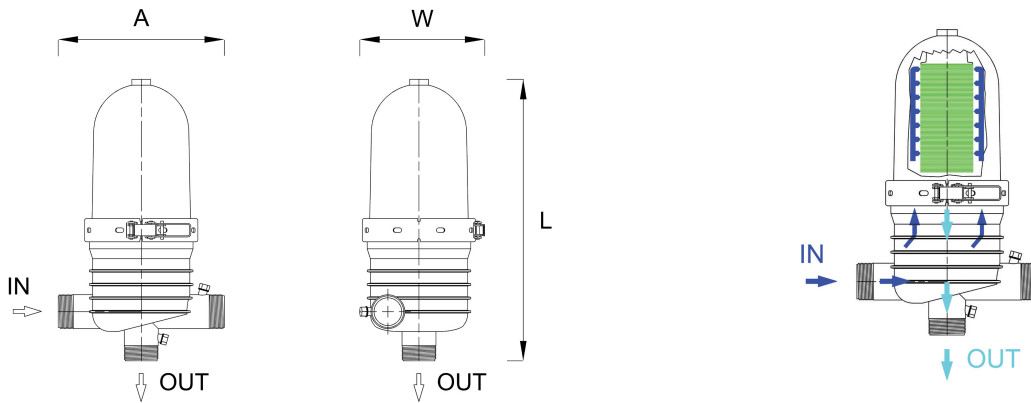
Filtration Grade	Water Quality	m ³ /h	gpm
400-130 μ	Good	25	110
	Average	18.75	82.5
55 μ	Good	17.5	77
	Average	13.1	58
20 μ	Good	12.5	55
	Average	9.37	41

2" Super

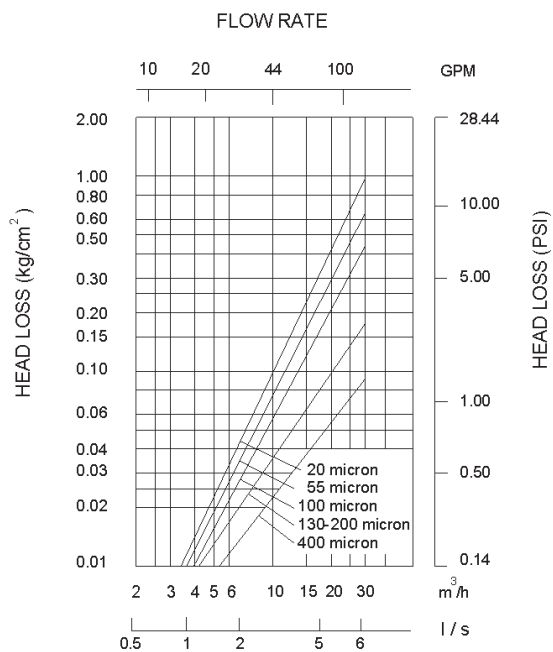
Manual Disc Filter

Dimensions and Weights

D Inlet/Outlet diameter	mm	50	inch	2
L Length	mm	495	inch	19 1/2
W Width	mm	200	inch	7 7/8
A	mm	290	inch	11 13/32
Shipping weight (approx.)	kg	6	lbs	13.2



Head Loss Chart, Clean State



2" Super is available in:
Polyamide.

ARKAL 2" SUPER FILTER with detachable spine

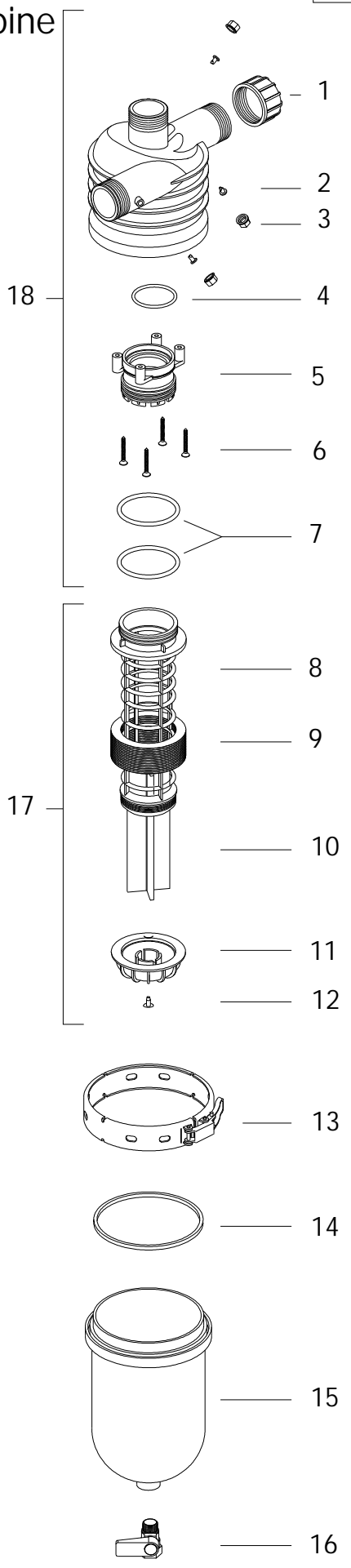
Cat. no.: 1212 0__ STANDARD

Cat. no.: 1212 2__ WITH PLUG

Cat. no.: 1212 3__ WITH TAP

PARTS LIST

No:	CAT. No:	DESCRIPTION	MAT.
1.	2511 0200	2" CAP	R.P.A.
2.	5006 0004	GAUGE PORTS SEAL	EPDM
3.	2511 0103	GAUGE PORTS NUT	R.P.P.
4.	5003 2146	"O"-RING 2-146	EPDM
5.	2503 0210	SPINE BASE	R.P.P.
6.	5040 1027	FASTENING BOLTS (PER SCREW)	S.S.
7.	5003 2234	"O"-RING 2-234	EPDM
8.	2502 0212	SPINE	P.P.
9.	2021 1__	DISC SET	P.P.
10.	2502 0214	SPINE EXTENSION	P.P.
11.	2506 0211	FIXING NUT	R.P.P.
12.	5040 1010	FASTNING SCREW	S.S.
13.	5042 0030	CLAMP	S.S.
14.	5005 0002	COVER SEAL	EPDM
15.	2501 0220	FILTER COVER WITH STOPPER	R.P.A.
	2202 0022	FILTER COVER WITH STOPPER 1/2" THREADE	
	2501 9220	TRANSPARENT COVER WITH STOPPER	P.C.
16.	5054 0212	1/2"*1/4" TAP (*)	BRASS
17.	2121 1__	FILTER ELEMENT	
18.	2222 0002	FILTER BODY COMPLEX	



MATERIALS:

- R.P.P. - REINFORCED POLYPROPYLENE
- R.P.A. - REINFORCED POLYAMIDE
- P.P. - POLYPROPYLENE
- S.S. - STAINLESS STEEL
- P.C. - POLYCARBONATE