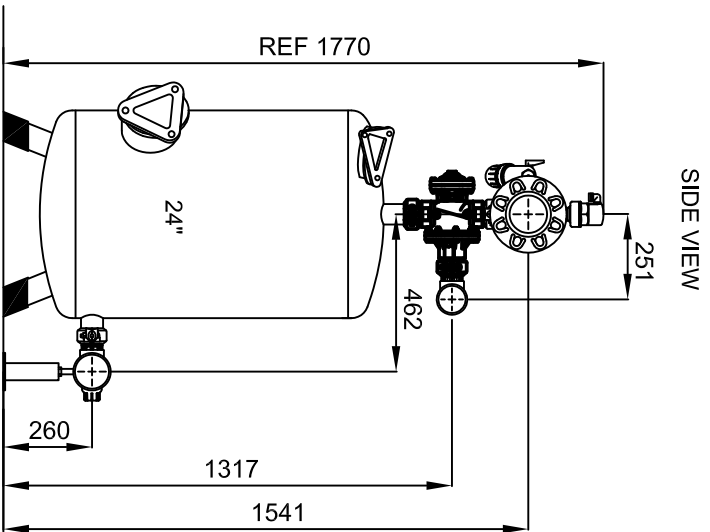


TECHNICAL DATA	
MAX. RECOMMENDED PRESSURE	8 Bar
MIN. RECOMMENDED PRESSURE	3 Bar
RECOMMENDED FLOW RATE	42-84 m ³ /hr
AVERAGE FLOW RATE	60 m ³ /hr
REQUIRED BACKWASH FLOW RATE	25 m ³ /hr
MANIFOLD END CONNECTORS	FLANGE TABLE D
DRAIN END CONNECTOR	BSP THREAD



NETAFIM
Australia Pty. Ltd.

PHONE: 03-9369 8777
FAX: 03-9369 8511

TITLE:

M-3244-GS-P

DATE: 16/3/07

DESCRIPTION:
3 x 24" FILTRATION SYSTEM

PART No:
M-3244-GS-P

DRAWN BY:
Tor Mann

VIEW:
Front Side & Top Views