

Globe & Angle Irrigation Valves

Series 80, the most modern type of valve, was designed especially for greenhouse irrigation systems- as well as turf and field crops irrigation.

The Mod.80 valves are equipped with the unique Labyrinth device that eliminates clogging while low- quality water is used.

A built-in manual- activation unit allows override of the electric control at any control mode (opening without electric signal, and closure while the valve is operated by the electric controller).

An option of Angle-pattern valves is available.

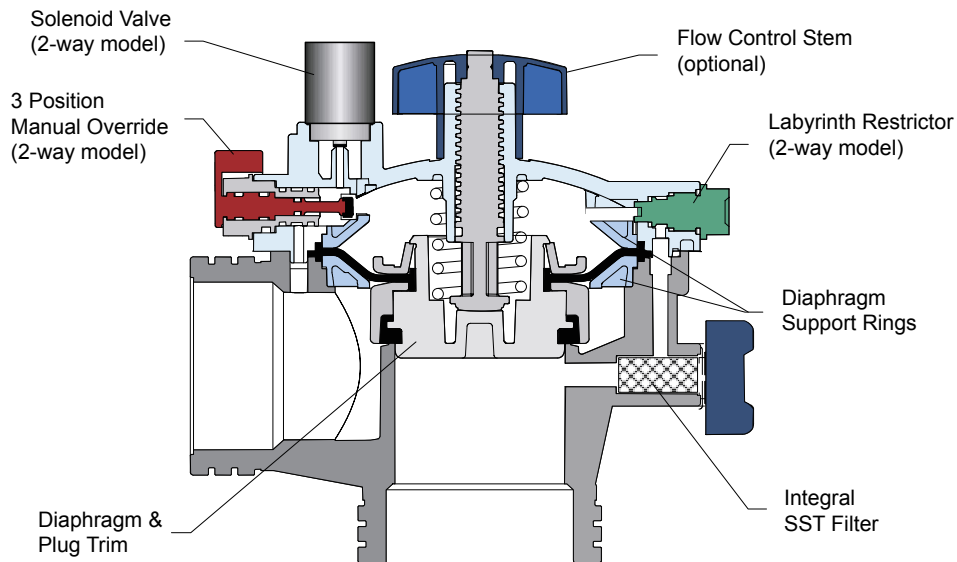
Features and Benefits

- Simple, reliable and economical
- Angle or straight, globe- pattern valve, activated by a fully-supported diaphragm
- Durable, corrosion free materials
- Unique clog-free labyrinth inlet of the activation water on electric 2-way valves
- 3 Position Manual override on electric 2-way valves
- Operation at wide range of flow rates, from near zero to the maximal flow
- Electric 2-way or hydraulic / electric 3-way actuation
- All of the control system's devices are assembled on the valve's bonnet.

No tubes are connected to the body

- Removable flow control stem handle (optional)
- Integral stainless-steel EasyClean® filter





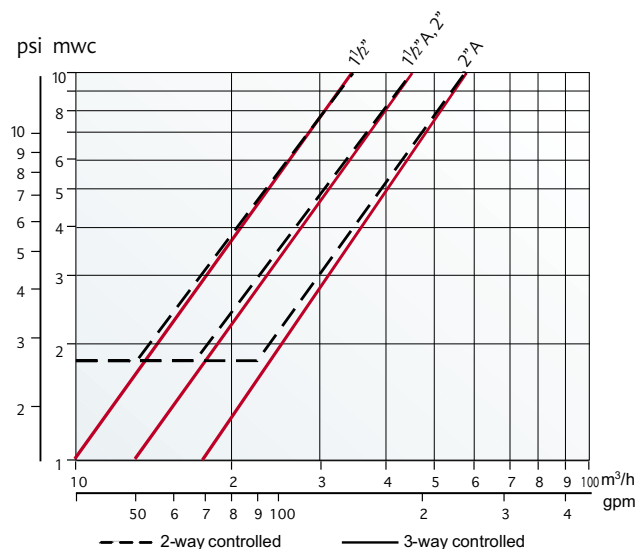
Technical Data

Pressure losses

Flow		Pressure loss (3-way valves)							
		40mm, 1 1/2"				50mm, 2"			
		Angle		Straight		Angle		Straight	
gpm	m ³ /h	psi	bar	psi	bar	psi	bar	psi	bar
22	5	0.19	0.01	0.33	0.02	0.11	0.01	0.19	0.01
44	10	0.75	0.05	1.33	0.09	0.43	0.03	0.75	0.05
88	20	3	0.21	5.33	0.37	1.72	0.12	3	0.21
132	30	6.74	0.46	12	0.83	3.9	0.27	6.74	0.46
176	40					6.9	0.48	12	0.83

Dimensions

		40mm, 1 1/2"		50mm, 2"	
		Angle	Straight	Angle	Straight
Height	mm	171	159	171	166
	inch	6.73	6.23	6.73	6.54
Width	mm	163	163	163	163
	inch	6.42	6.42	6.42	6.42
Length - Straight Center to outlet-Angle	mm	88	165	88	165
	inch	3.46	6.5	3.46	6.5
Weight	kg	0.8	0.9	0.8	0.9
	lbs	1.8	2	1.8	2



Operation data

		40mm, 1 1/2"	50mm, 2"
Max. Flow	m ³ /hr	25	40
	gpm	110	176
Pressure range	bar	0.5-10	
	psi	7-150	
Max. Water Temp.	°C	60	
	°F	140	
Max. Ambient Temp.	°C	52	
	°F	125	

Electrical Specifications

- Standard: 24 VAC 50/60 Hz. ±10%
- Optional: other voltage rating or latching DC operators
- Current: 0.26 Amp Inrush; 0.12 Amp holding

80-1, 80-3/4" Turf Irrigation Valves

**New electric valve for gardens,
parks and golf courses**

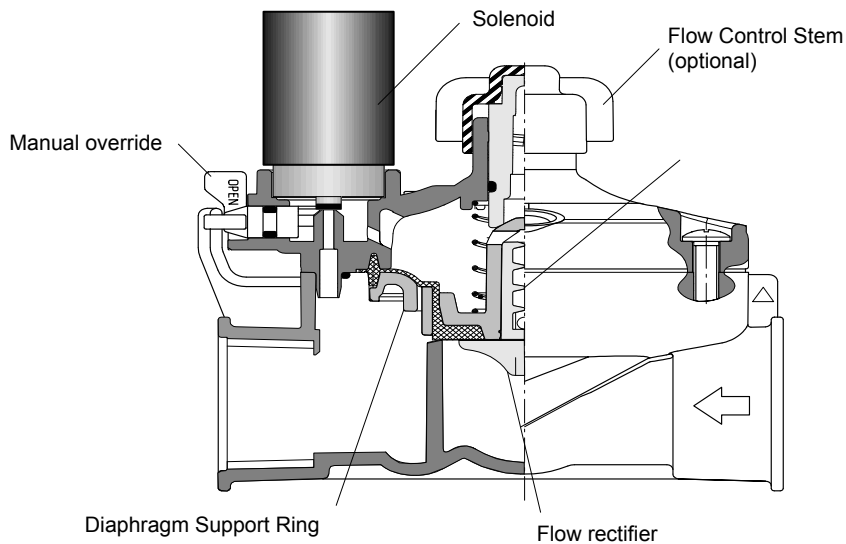
Features and Benefits

- Simple, reliable and economical
- Globe-pattern valve, activated by a fully-supported diaphragm
- Durable, corrosion free materials
- Unique clog-free labyrinth inlet of the activation water
- Operation at wide range of flow rates, from near zero to the maximal flow
- Internal bleed manual override opening
- Removable flow control stem handle (optional)

No filters

No cleaning needle

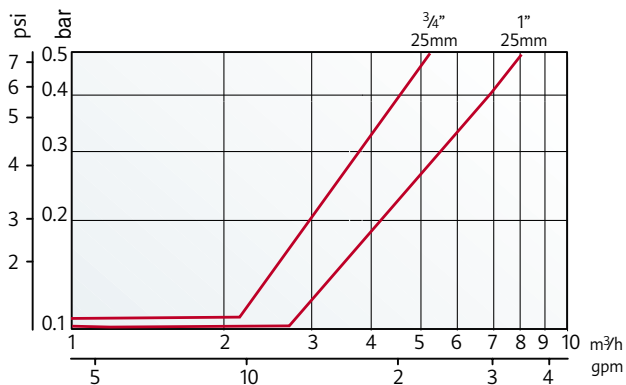




Technical Data

Pressure losses

flow		Pressure loss			
		80- $\frac{3}{4}$ "		80-1"	
gpm	m ³ /h	psi	bar	psi	bar
2.2	0.5	1.42	0.10	1.42	0.10
4.4	1	1.60	0.11	1.42	0.10
8.8	2	1.65	0.11	1.42	0.10
13.2	3	2.90	0.20	1.65	0.11
17.6	4	4.35	0.30	2.61	0.18
22.0	5	6.82	0.47	3.63	0.25
26.4	6			4.83	0.33
30.8	7			6.09	0.42



Dimensions

		20mm, $\frac{3}{4}$ "	25mm, 1"
Height	mm	109	112
	inch	4.3	4.4
Width	mm	75	75
	inch	3	3
Length - Straight Center to outlet-Angle	mm	98	103
	inch	3.9	4.1
Weight	kg	0.28	0.29
	lbs	0.62	0.64

Operation data

		20mm, $\frac{3}{4}$ "	25mm, 1"
Max. Flow	m ³ /hr	6	10
	gpm	26	44
Pressure range	bar	0.5-10	
	psi	7-150	
Max. Water Temp.	°C	60	
	°F	140	
Max. Ambient Temp.	°C	52	
	°F	125	

Electrical Specifications

- Standard: 24 VAC 50/60 Hz. $\pm 10\%$
- Optional: other voltage rating or latching DC operators
- Current: 0.26 Amp Inrush; 0.12 Amp holding