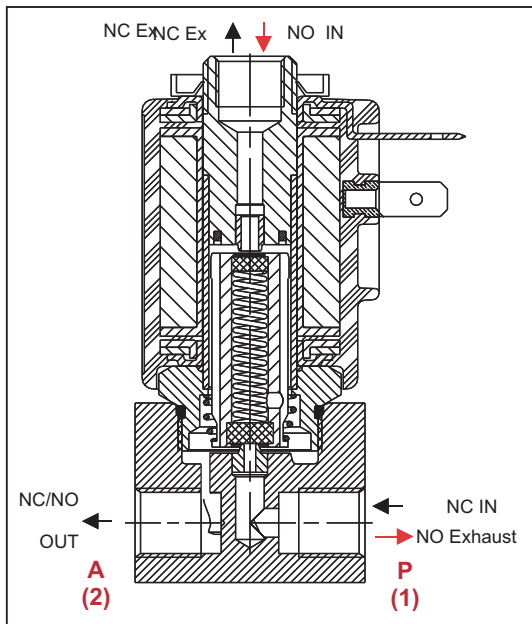


# GEM-SOL Direct Operated 1/8", 1/4" 3/2 Way NC, NO



## General Description

GEM - SOL 3/2 way NC or NO solenoid valves are recommended for heavy duty applications where high performances are required. They can be used for industrial and irrigation control and automation systems. These valves are suitable to work with air, water and oil; for other fluids please consult with us.

## Notes

1. Valves are inspected at general pressures of 12 bar or less (see table). Higher pressures are available upon special request.
2. ADC valves are suitable to work with AC 8W or 10W coils.
3. LATCH valves are available upon request.
4. To order valves manufactured to your specific requirements, please contact our technical sales department.

## HOW TO ORDER :

Example: **GEM - A - 21035N2-311**

Is a GEM-SOL direct operated Brass 1/8" BSP, 3WNC, 2.4 orifice, NBR, brass slot manual override, 24VAC 50Hz 8W with connector.

GEM-A	Body	Port	Function	Orifice	Seals	Manual Override	Voltage	Power	Connector
	Mazak 1	1/8BSP 10	3W NC 3	0.8 1	NBR N	None 0	Without 0	No coil 0	without 0
	Brass 2	1/4BSP 20	3W NO 4	1.2 2	VITON V	Plastic 1	Coil 6	AC 8W 50Hz 1	with 1
	St/St 3	1/8NPT 11		1.6 3	EPDM E	Slot 2	12 2	AC 8W 60Hz 2	with LED 2
		1/4NPT 21		2.0 4		Knob 3	24 3	DC 10W 3	with bi 3
				2.4 5			48 4	AC 5.5W 50Hz 4	colour LED 4
				3.0 6			110 5	AC 5.5W 60Hz 5	flying leads coil 4
							120 6	AC 2.5W 6	with 1/2" Hub 5
							220 7	DC 5.5W 7	
							240 8	DC 3.5W 8	
							other 9		



## Technical Specifications

Functions :	3/2 way NC & NO
Ports size :	1/8 and 1/4 BSP & NPT
Orifice :	See table
Kv :	See table
Pressure range :	See table
Temperature range :	Fluid : max 80° C Ambient :- 10° to 50° C
Manual override :	Plastic, brass screw or brass finger knob St/St for St/St valves.
Materials :	<b>Main valve :</b> Mazak, Brass or Stainless Steel 303 <b>Solenoid operator :</b> Stainless steel 300 & 400 series <b>Seals :</b> NBR, Viton or EPDM
Weight (with coil) :	248 gr for Mazak valve
Media :	Air, water, oil
Coil Voltage :	All Baccara coils voltages $\pm 10\%$ AC 8W, 5.5 and 2.5W & DC 10W, 5.5 and 3.5W.

**Max. Pressure (bar) 3W NC Table**

Coil Current/Power	Orifice					
	0.8	1.2	1.6	2.0	2.4	3.0
ADC	23	20	15	10	8	5.5
AC/8W DC/10W	35	30	17	14	10	6
AC/5.5W	23	20	15	10	8	5.5
AC/2.5W DC/5.5W /3.5W	20	16	10	9	5	4
Flow factor Kv(L/Min)	0.6	1.1	1.7	2.5	3.5	4.5

**Max. Pressure (bar) 3W NO Table**

Coil Current/Power	Orifice					
	0.8	1.2	1.6	2.0	2.4	3.0
ADC	25	20	15	11	8	6
AC/8W DC/10W	30	22	17	12	10	7
AC/5.5W DC/5.5W	25	20	15	11	8	6
AC/2.5W DC/3.5W	20	18	12	8	6	4
Flow factor Kv(L/Min)	0.6	1	1.4	2.2	3.0	3.5

Protection class IP65.

