



DISHNON - Fertilizer meter with electrical output

Model KD

The DISHNON is a small meter, which is resistant to fertilizer and similar chemicals and which transmits electrical data to automated control systems. The DISHNON contains a small measuring chamber and a magnetic proximity switch made of synthetic polymers and metals capable of withstanding all fertilizer materials currently in common use.

Features:

- Compatible with virtually any type of automated control system
- High accuracy
- Dry contact electrical output
- Corrosion resistant plastic and metal components

Applications

- Automated irrigation systems
- Automated industrial applications using corrosive liquids

Available Sizes

1/2" (15mm)

Technical Specifications

Maximum Working Pressure	5 bar
Maximum Working Temperature	50°C
Body	Corrosion resistant plastic
Connection	3/4" BSP



ARAD

- Irrigation & Agriculture meter
- Hydrometer
- Dose-o-mat
- Fertilizer
 - └ KD
 - └ Arad-o-valve
 - └ Accessories

Performance data:

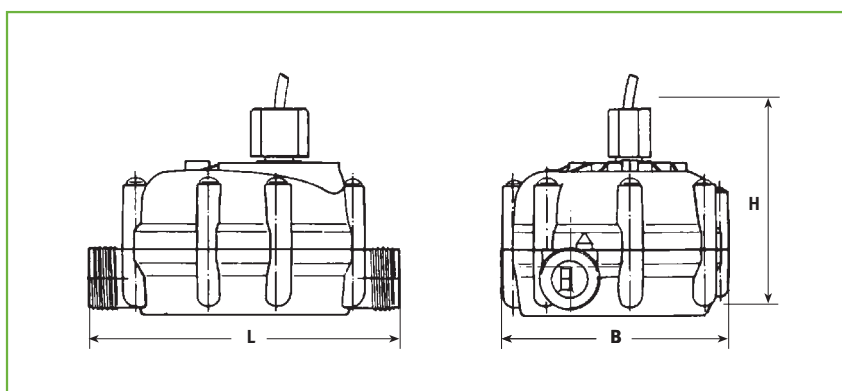
Model	Qmax Maximum flowrate (l/h)	Qmin Minimum flowrate (l/h)
KD-N	750	60
KD-S	500	20

Electrical output data:

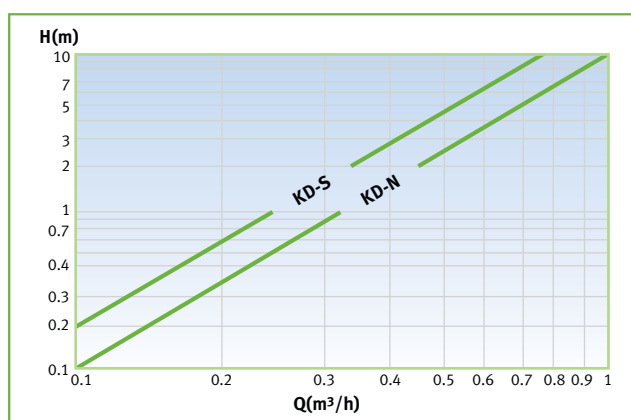
Model	Pulse per unit	V max	I max	Cable Length
KD-N	0.1, 0.25, 1, 10	28 V DC	50 mA	15 meter
KD-S	0.05			

Dimensions

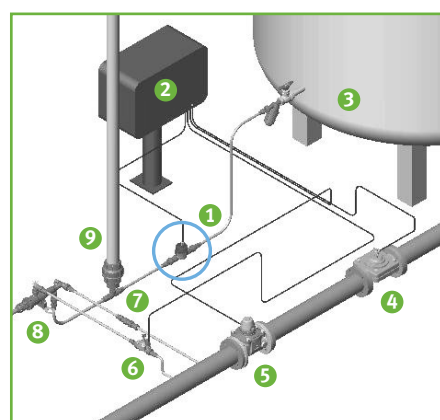
Model	KD	
Nominal size	(mm)	20
	(inch)	3/4
L – Length (mm)	136	
H – Height (mm)	86	
B – Width (mm)	100	
Weight (kg)	0.3	



Head Loss Curve



Installation Scheme



Installation Requirements

The fertilizer meter should be installed in horizontal position.

1. KD Fertilizer Meter
2. Irrigation computer
3. Fertilizer tank
4. Hydraulic tap
5. Water meter
6. Hydraulic tap
7. Flow limiter valve
8. Fertilizer Pump
9. 75 mm damping pipe



ARAD