



Plastic Fertilizer Meter

Model SF

The SF is a fertilizer & chemical solutions meter with electrical output and a totalizing register.

The impeller is the only moving part, inside the meter, that comes into contact with the liquid.

Features:

- Mechanical register with totalizer, 3 pointers and leakage detector
- High accuracy.
- Corrosion resistant plastic components.
- Small & lightweight.

Applications

- Fertilizing control in automated irrigation systems.
- Industrial applications involving corrosive liquids.

Available Sizes

1/2" (15mm)

Technical Specifications

Maximum Working Pressure	5 bar
Maximum Working Temperature	50°C
Body	PPS
Connection	1/2" BSP
Electrical output	0.1, 1, 10, 100 liter/pulse

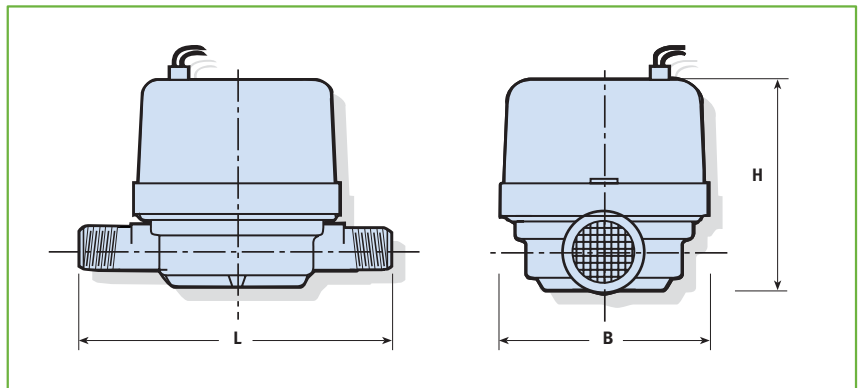


Performance data:

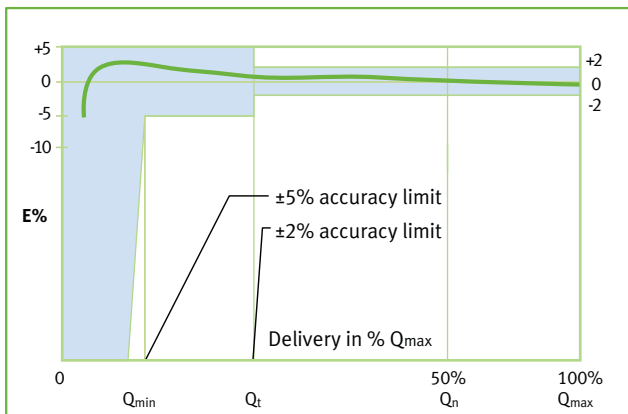
Model SF		Q _{max} Maximum flowrate (l/h)	Q _t Lowest Flowrate Measured between ±2% (l/h)	Q _{min} Lowest Flowrate Measured between ±5% (l/h)	Loss of Head at Maximum flow rate (bar)
Nominal Size					
mm	inch				
15	1/2	750	70	20	0.12

Dimensions

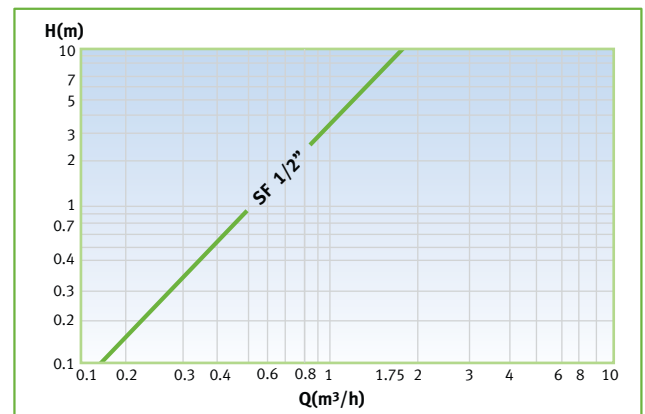
Model	SF	
Nominal size	(mm)	15
	(inch)	1/2
L – Length (mm)	110	
H – Height (mm)	81	
B – Width (mm)	77	
Weight (kg)	0.28	



Accuracy Curve

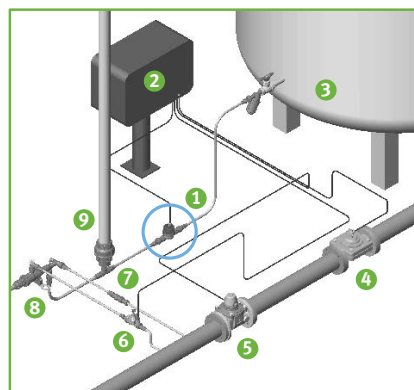


Head Loss Curve



Installation Requirements

The fertilizer meter should be installed in horizontal position.



Installation Scheme

1. SF Fertilizer Meter
2. Irrigation computer
3. Fertilizer tank
4. Hydraulic tap
5. Water meter
6. Hydraulic tap
7. Flow limiter valve
8. Fertilizer Pump
9. 75 mm damping pipe

