



**NEW
from
ARAD**



Multi-Jet Magnetic Water Meter Model MS

The new Multi Jet Silver 1¹/₂" 40mm is a revolutionized water-meter with superior performances which exceed all known products in the industry.

The dry dial Multi Jet Silver has a Class D performance while complying with ISO 4064 Class C metrological standard.

The meter offers very accurate registration in extreme flows, contributing to the revenues of the assigned customer.

Features:

By incorporating revolutionized hydraulic design the meter has superior performances:

- Accuracy performance of Class D
- Maintains same hydraulic characteristics while tested in Q_{max} for more than 300 hours (equal to 26 years of operation)
- Reduced head loss - 6.5 meter (0.65 bar) in Q_{max}
- Incorporates unique magnetic transmission which avoids disconnection
- Eliminates any previous installment requirements for straight pipe section of 10D 5D upstream and downstream respectively
- Can install ANY OF Arad's Electronic configurations: EV, EF Dialog & Dialog 3G

Applications

For domestic, agriculture and industrial use.

Available Sizes

1¹/₂" - 40 mm

Standards

ISO 4064, AWWA, C 708 , EEC

Technical Specifications

Maximum Working Pressure	16 bar
Maximum Working Temperature	50°C
Body	Corrosion proof copper alloy
Coupling threads	BSP, NPT



MS type dial



▶ Velocity Type Meters

└ Multi Jet - MS

└ Single Jet

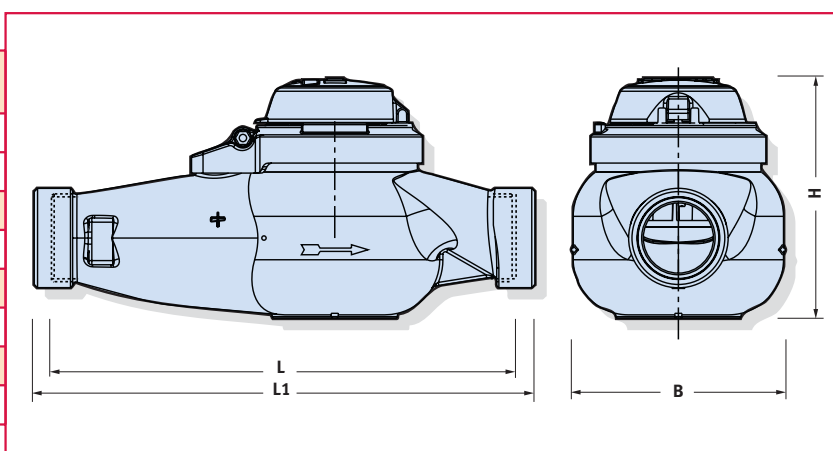
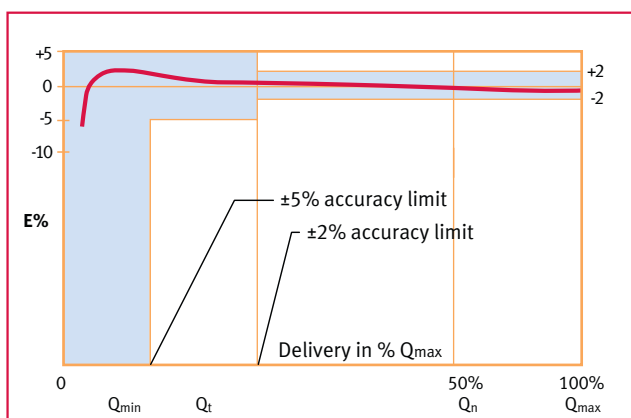
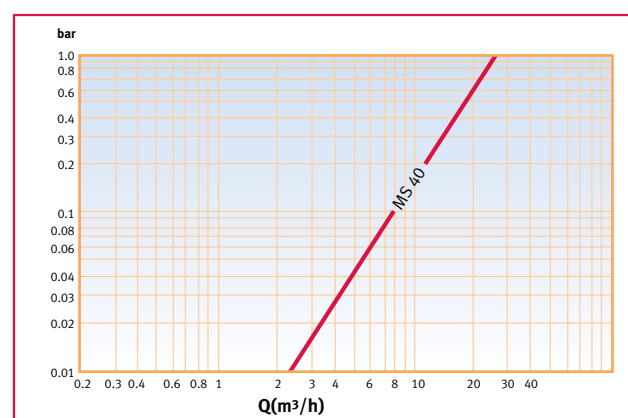
Volumetric Meters

Performance data:

Model	Nominal Size (inch)	Q _{max} Maximum flowrate (m ³ /h)	Q _n Nominal flowrate (m ³ /h)	Q _t Transitional Flowrate (l/h)	Q _{min} Minimum Flowrate (l/h)	Sensitivity (up to-30%) (l/h)	Accuracy between Q _{max} & Q _t	Accuracy between Q _t & Q _{min}	Headloss at Q _{max} (bar)	Maximum register capacity (m ³)	Minimum register capacity (liter)
MS 40	1 1/2"	20	10	150	100	28	±2%	±5%	0.65	10 ⁶	1

Dimensions

Model	M40	
Nominal size	(mm)	40
	(inch)	1 1/2
L – Length without couplings (mm)	300	
L1 – Length with couplings (mm)	435	
B – Width (mm)	125	
H – Height (mm)	140	
Weight (kg)	4.65	
Weight with couplings (kg)	5.65	

**Accuracy Curve****Head Loss Curve****Installation Requirements**

- The meter should be installed in horizontal position.
- Pipeline must be flushed before installation.
- The meter should be constantly full of water.

