



## Single-Jet Magnetic Water Meter

### Model S

Small, compact, low cost water meter for general-purpose use.



Single-Jet-S type meter for **HOT** water

#### Features:

- Sealed Rotatable register.
- Calibrating device concealed under the register.
- Electrical output optional.

#### Applications

Domestic consumption and green houses.

#### Available Sizes

1/2"

#### Standards

Complies with ISO and EEC metrological requirements.

#### Technical Specifications

<b>Maximum Working Pressure</b>	10 bar
<b>Maximum Working Temperature</b>	50°C 90°C – For <b>HOT</b> water
<b>Body</b>	Corrosion proof copper alloy
<b>Coupling threads</b>	BSP



S type dial



► Velocity Type Meters

- └ Multi Jet
- └ Single Jet - S

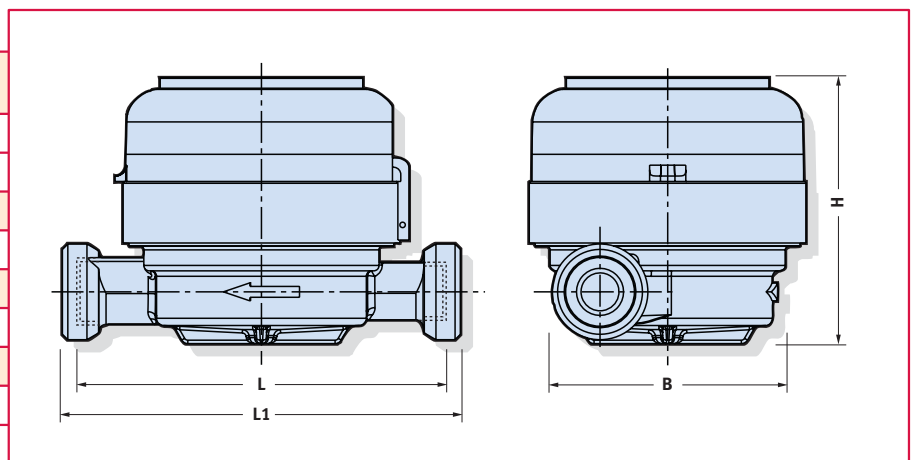
Velometric Meters

### Performance data:

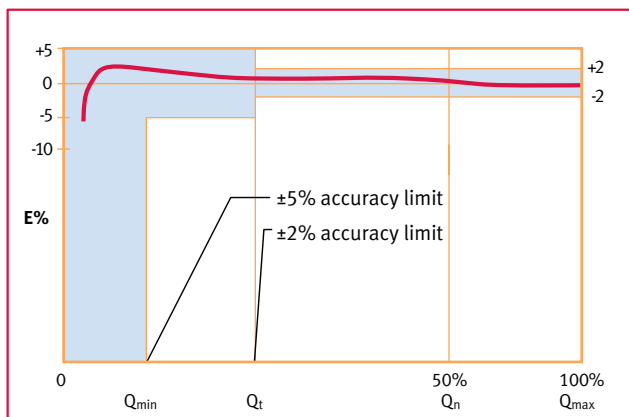
Model	Nominal Size (inch)	Qmax Maximum flowrate (m <sup>3</sup> /h)	Qn Nominal flowrate (m <sup>3</sup> /h)	Qt Transitional Flowrate (l/h)	Qmin Minimum Flowrate (l/h)	Maximum register capacity (m <sup>3</sup> )	Minimum register capacity (liter)	Accuracy between Qmax & Qt	Accuracy between Qt & Qmin
S15	1/2"	3	1.5	120	30	10 <sup>5</sup>	0.1	±2%	±5%

### Dimensions

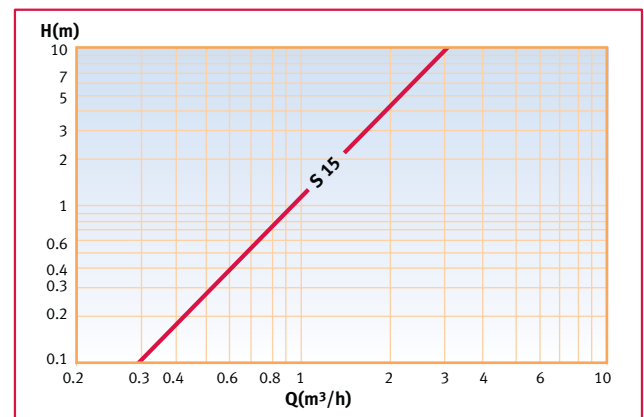
Model	S15	
Nominal size	(mm)	15
	(inch)	1/2"
L – Length without couplings (mm)	110	
L1 – Length with couplings (mm)	205	
B – Width (mm)	76	
H – Height (mm)	73	
Weight (kg)	0.5	
Weight with couplings (kg)	0.7	



### Accuracy Curve



### Head Loss Curve



### Installation Requirements

- The Meter should be installed in horizontal position.
- Pipeline must be flushed before installation.
- The meter should be constantly full of water.

