



Irrigation & Agriculture Water Meter

Model IRT

Special design with free water passage allows measurement of water with high contents of impurities.



Features:

- Negligible loss of head
- Simple maintenance
- Field replaceable measuring unit
- Hermetically sealed register with glass lens
- Bearings are constantly flushed during operation to eliminate deposit of solids
- Optional electrical output: EV (Volume) or EF (Rate of Flow)
- Compatible with Dialog® automatic reading system

Applications

Irrigation and sewerage metering

Available Sizes

3" - 10" (80mm – 250mm)

Technical Specifications

Maximum Working Pressure	16 bar
Maximum Liquid Temperature	60°C
Body	Polyester coated cast iron body
Connection	Flanges according to ISO, BS 10, AWWA or others
Register	M3, U.S. Gallon, cu.ft, ML Central pointer or 3 pointers



IRT type dial



Irrigation & Agriculture meter

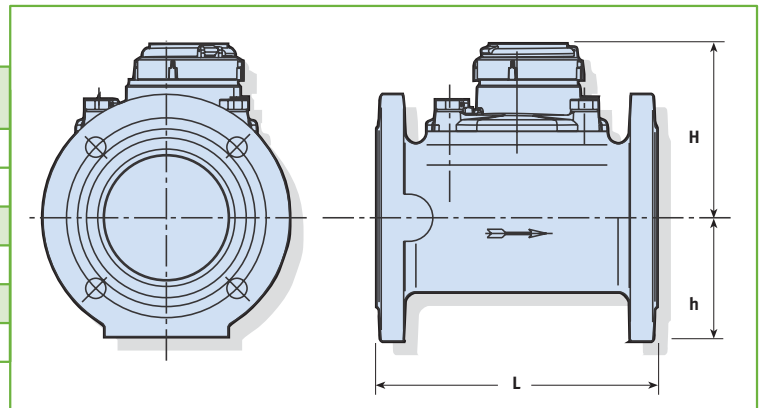
- └ IRT
- Hydrometer
- Dose-o-mat meters
- Fertilizer
- Arad-o-valve
- Accessories

Performance data:

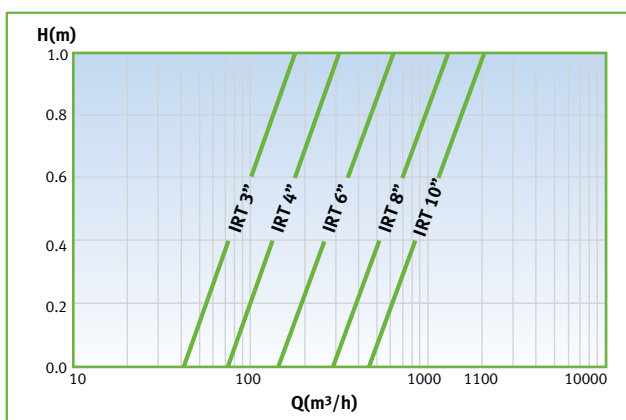
Model IRT		Qmax Maximum flowrate (m ³ /h)	Qn Nominal Flowrate (m ³ /h)	Qt Transitional Flowrate (m ³ /h)	Qmin Minimum Flowrate (m ³ /h)	Maximum register capacity (m ³)	Smallest readable unit (liter)	Accuracy between Qmax & Qt	Accuracy between Qt & Qmin
Nominal Size									
mm	inch								
80	3	150	90	10	5	10 ⁶	1	±2	±5
100	4	250	125	11	7	10 ⁷	10		
150	6	500	250	15	10	10 ⁷	10		
200	8	900	450	30	18	10 ⁸	100		
250	10	1400	750	70	20	10 ⁸	100		

Dimensions

Model	IRT					
Nominal size	(mm)	80	100	150	200	250
	(inch)	3	4	6	8	10
L – Length (mm)		230	250	300	350	450
H – Height (mm)		240	260	310	315	438
h – Height (mm)		90	110	129	160	258
Weight (kg)		17	20	33	49	57



Head Loss Curve



Installation Requirements

- The meter can be installed in any position (horizontal, vertical or inclined)
- The meter must be always full of water while operating
- Prior to the installation of a new meter, the pipeline must be flushed out

