


FILTMASTER

Manual Plastic Filters

2" and 3" Disk and Screen

Key Properties

- 10 bar rating
- Available with 2" or 3" inlet/outlet
- BSP threads or roll groove* (3" only) connections
- Stainless steel 304 locking flange
- 1/4" take-off on inlet/outlet
- 1" BSP outlet on cover
- 2" model is 632 mm high and 310 mm wide
- 3" model is 750 mm high and 310 mm wide
- Disks are manufactured from polypropylene
- Disks are available in 130 and 200 micron
- Screens are manufactured from 304 stainless steel
- Screen is available in 130 micron

Features & Benefits

- Body and cover manufactured from glass reinforced nylon to provide a 10 bar (1000 kPa) pressure rating to suit a wide range of applications
- Locking flange allows easy removal of the cover to allow the cartridge to be cleaned
- Locking flange made from stainless steel to prevent corrosion
- Access points on both the inlet and outlet to allow pressure measurements to be made
- Reinforced threaded outlet on cover to allow air relief valve to be installed
- Two outlets are standard – inline and at 90° to inlet, for flexibility of installation
- Cap with O-ring is provided as standard to allow choice of outlets
- FiltMaster disk and screen filters are manufactured in Spain by Jimten under a certified quality management system to ISO9001 standard to ensure a quality product.

Models Available

Code	Description
J97008	2" Disk Filter – 130 micron, BSP connections
J97022	2" Disk Filter – 200 micron, BSP connections
J97050	2" Screen Filter – 130 micron, BSP connections
J97260	3" Disk Filter – 130 micron, BSP connections
J97274	3" Disk Filter – 200 micron, BSP connections
J97266	3" Disk Filter – 130 micron, roll groove* connections
J97302	3" Screen Filter – 130 micron, BSP connections

*Roll groove is also referred to as Victaulic®

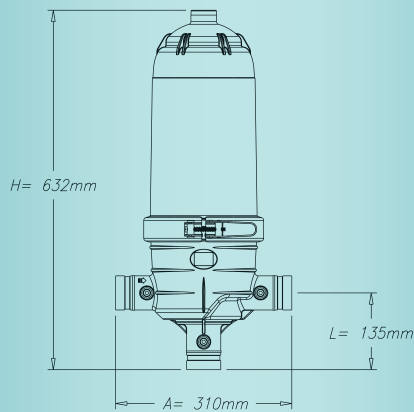


FiltMaster by Jimten

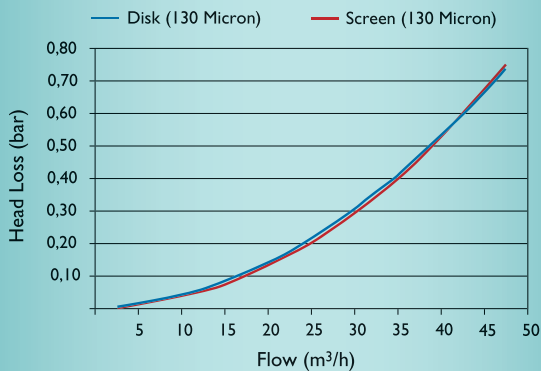


Manual Plastic Filters – 2” and 3” Disk and Screen

2” Disk and Screen

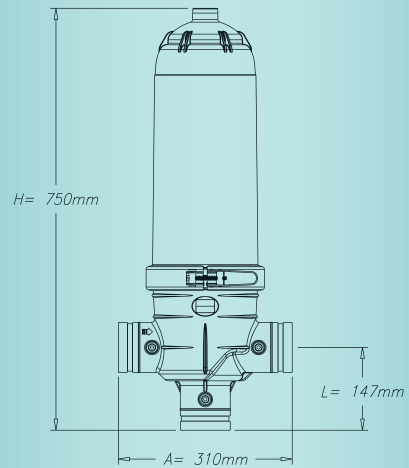


2” Filter – Head Loss V Flow

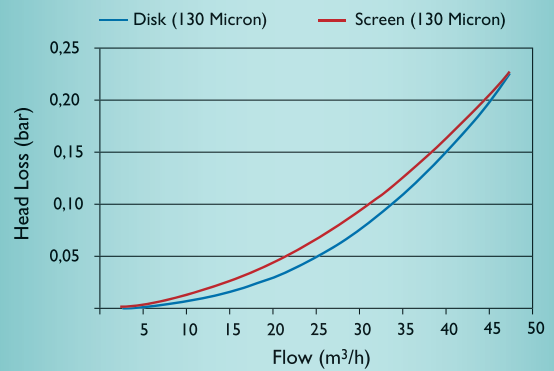


PLEASE NOTE: All dimensions are in mm and are approximate.

3” Disk and Screen



3” Filter – Head Loss V Flow



PLEASE NOTE: All dimensions are in mm and are approximate.