

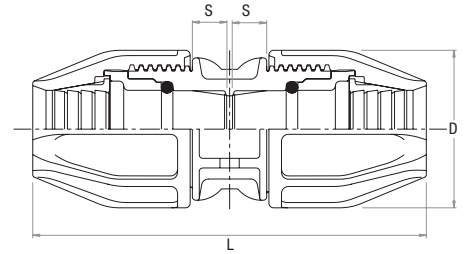
RANGE DIMENSIONS & WEIGHTS



RANGE DIMENSIONS & WEIGHTS

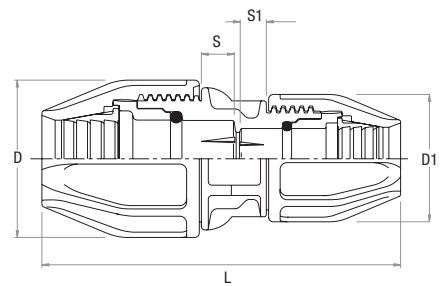
JOINERS/COUPLING (Pol x Pol)

Size (OD)	Ref No	Dimensions mm.			kg.
		S	D	L	Wt
16mm x 16mm	97 7111 00	9	40	108	0.06
20mm x 20mm	97 7122 00	10	47	117	0.08
25mm x 25mm	97 7133 00	11	56	140	0.13
32mm x 32mm	97 7144 00	14	69	170	0.24
40mm x 40mm	97 7155 00	18	82	205	0.41
50mm x 50mm	97 7166 00	24	96	229	0.59
63mm x 63mm	97 7177 00	29	113	251	0.89
75mm x 75mm	97 7188 00	43	134	295	1.24
90mm x 90mm	97 7199 00	50	157	350	2.06
110mm x 110mm	97 7100 00	62	190	430	3.61



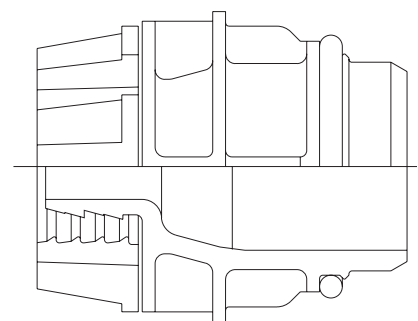
REDUCING JOINERS/COUPLING (Pol x Pol)

Size (OD)	Ref No	Dimensions mm.					kg.
		S	S1	D	D1	L	Wt
20mm x 16mm	97 7121 00	10	9	47	40	112	0.07
25mm x 16mm	97 7131 00	11	9	56	40	124	0.09
25mm x 20mm	97 7132 00	11	10	56	47	129	0.11
32mm x 20mm	97 7142 00	14	10	69	47	149	0.16
32mm x 25mm	97 7143 00	14	11	69	56	155	0.19
40mm x 25mm	97 7153 00	18	11	82	56	181	0.28
40mm x 32mm	97 7154 00	18	14	82	69	188	0.33
50mm x 25mm	97 7163 00	24	11	96	56	197	0.38
50mm x 32mm	97 7164 00	24	14	96	69	210	0.42
50mm x 40mm	97 7165 00	24	18	96	82	218	0.50
63mm x 32mm	97 7174 00	29	14	113	69	227	0.59
63mm x 40mm	97 7175 00	29	18	113	82	242	0.67
63mm x 50mm	97 7176 00	29	24	113	96	242	0.76
75mm x 63mm	97 7187 00	43	24	134	113	274	1.09
90mm x 75mm	97 7198 00	50	43	157	134	322	1.71
110mm x 90mm	97 7109 00	62	50	190	157	393	3.26



REDUCING SETS (Only suitable for PE80 PN1 2.5 pipe)

Size (OD)	Ref No
32mm x 25mm	97 8043 00
40mm x 32mm	97 8054 00
50mm x 25mm	97 8063 00
50mm x 32mm	97 8064 00
65mm x 32mm	97 8074 00
63mm x 50mm	97 8076 00



20 – 32mm fittings are available in lilac/purple for recycled water applications

For advice on chemical resistance properties please contact your nearest Philmac representative

RANGE DIMENSIONS & WEIGHTS

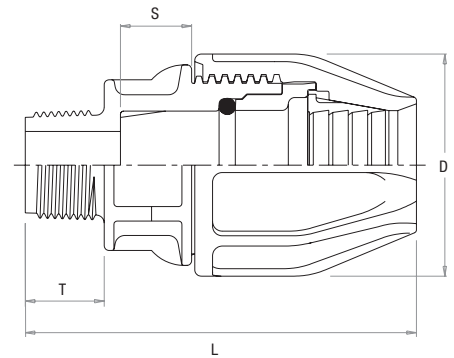
SLIP COUPLINGS/JOINERS (Pol x Pol)

Size (OD)	Ref No
20mm x 20mm	97 1122 00
25mm x 25mm	97 1133 00
32mm x 32mm	97 1144 00
40mm x 40mm	97 1155 00
50mm x 50mm	97 1166 00
63mm x 63mm	97 1177 00

Design is the same as Joiners except that the body allows pipe insertion all the way through.

END CONNECTORS (Pol x MI BSP)

Size (OD x BSP)	Ref No	Dimensions mm.				kg.
		S	D	L	T	Wt
16mm x 1/2"	97 7211 00	16	40	83	19.8	0.03
16mm x 3/4"	97 7212 00	16	40	84	21.1	0.03
20mm x 1/2"	97 7221 00	17	47	87	19.8	0.05
20mm x 3/4"	97 7222 00	17	47	88	21.1	0.05
20mm x 1"	97 7223 00	17	47	92	24.4	0.06
25mm x 1/2"	97 7231 00	19	56	103	19.8	0.08
25mm x 3/4"	97 7232 00	19	56	104	21.1	0.08
25mm x 1"	97 7233 00	19	56	107	24.4	0.08
32mm x 3/4"	97 7242 00	22	69	117	21.1	0.14
32mm x 1"	97 7243 00	22	69	120	24.4	0.14
32mm x 1 1/4"	97 7244 00	22	69	123	26.7	0.15
32mm x 1 1/2"	97 7245 00	22	69	123	26.7	0.15
40mm x 1"	97 7253 00	28	82	141	24.4	0.24
40mm x 1 1/4"	97 7254 00	28	82	143	26.7	0.24
40mm x 1 1/2"	97 7255 00	28	82	144	26.7	0.25
40mm x 2"	97 7256 00	28	82	148	31	0.26
50mm x 1 1/2"	97 7265 00	30	96	152	26.7	0.34
50mm x 2"	97 7266 00	30	96	156	31	0.34
63mm x 1 1/2"	97 7275 00	36	113	166	26.7	0.52
63mm x 2"	97 7276 00	36	113	171	31	0.53
75mm x 2"	97 7286 00	43	137	185	31	0.72
75mm x 3"	97 7288 00	43	134	190.5	36.5	0.74
90mm x 3"	97 7298 00	50	157	221	36.5	1.22
110mm x 4"	97 7209 00	62	190	269	43	2.2



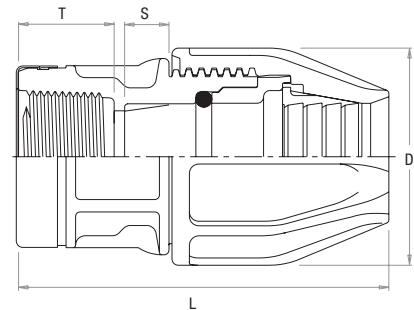
20 – 32mm fittings are available in lilac/purple for recycled water applications

For advice on chemical resistance properties please contact your nearest Philmac representative

RANGE DIMENSIONS & WEIGHTS

END CONNECTORS (Pol x FI BSP)

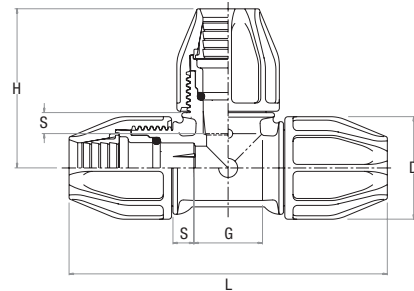
Size (OD x BSP)	Ref No	Dimensions mm.				kg.
		S	D	L	T	
16mm x 1/2"	97 7811 00	9	40	78	22.8	0.04
16mm x 3/4"	97 7812 00	9	40	79	24.1	0.05
20mm x 1/2"	97 7821 00	10	47	85	22.8	0.06
20mm x 3/4"	97 7822 00	10	47	83	24.1	0.06
20mm x 1"	97 7823 00	10	47	86	27.4	0.07
25mm x 1/2"	97 7831 00	11	56	95	22.8	0.08
25mm x 3/4"	97 7832 00	11	56	96	24.1	0.09
25mm x 1"	97 7833 00	11	56	99	27.4	0.10
32mm x 1"	97 7843 00	14	69	114	27.4	0.16
32mm x 1 1/4"	97 7844 00	14	69	116	30.2	0.16
40mm x 1 1/4"	97 7854 00	18	82	136	30.2	0.25
40mm x 1 1/2"	97 7855 00	18	82	136	30.2	0.27
50mm x 1 1/2"	97 7865 00	24	96	145	30.2	0.37
50mm x 2"	97 7866 00	24	96	149	34.5	0.39
63mm x 2"	97 7876 00	29	113	161	34.5	0.55
75mm x 2"	97 7886 00	43	134	185	34.5	0.75
90mm x 3"	97 7898 00	50	157	219	39	1.26
110mm x 4"	97 7300 00	62	190	267	46	2.20



Stainless steel reinforcing ring on 1 1/4" and above

EQUAL TEES (Pol x Pol x Pol)

Size (OD)	Ref No	Dimensions mm.					kg.
		S	D	H	G	L	
16mm x 16mm x 16mm	97 7311 00	9	40	67	30	134	0.09
20mm X 20mm X 20mm	97 7322 00	10	47	73	31	145	0.13
25mm x 25mm x 25mm	97 7333 00	11	56	89	40	177	0.22
32mm x 32mm x 32mm	97 7344 00	14	69	106	48	211	0.39
40mm x 40mm x 40mm	97 7355 00	18	82	126	50	251	0.66
50mm x 50mm x 50mm	97 7366 00	24	96	142	60	284	0.98
63mm x 63mm x 63mm	97 7377 00	29	113	161	73	320	1.51
75mm x 75mm x 75mm	97 7388 00	43	134	188	88	375	2.20
90mm x 90mm x 90mm	97 7399 00	50	157	226	100	451	3.63
110mm x 110mm x 110mm	97 7300 00	62	190	276	120	551	6.00



SLIP TEES - EQUAL TEES (Pol x Pol x Pol)

Size (OD)	Ref No
20mm x 20mm x 20mm	97 1322 00
25mm x 25mm x 25mm	97 1333 00
32mm x 32mm x 32mm	97 1344 00
40mm x 40mm x 40mm	9 71355 00
50mm x 50mm x 50mm	97 1366 00
63mm x 63mm x 63mm	97 1377 00

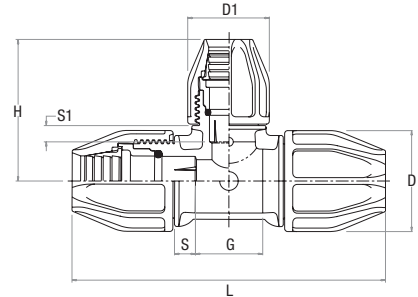
Design is the same as Equal Tees except that the body allows pipe insertion all the way through.

- 20 – 32mm fittings are available in lilac/purple for recycled water applications
- For advice on chemical resistance properties please contact your nearest Philmac representative
- Installation instructions for Slip Couplings can be found on page 4

RANGE DIMENSIONS & WEIGHTS

REDUCING TEES (Pol x Pol x Pol)

Size (OD)	Ref No	Dimensions mm.							kg.
		S	S1	D	D1	H	G	L	
25mm x 25mm x 20mm	97 7332 00	11	10	56	47	53	40	177	0.19
32mm x 32mm x 25mm	97 7343 00	14	11	69	56	88	46	211	0.34
50mm x 50mm x 40mm	97 7365 00	24	21	96	82	134	60	284	0.90
63mm x 63mm x 50mm	97 7376 00	29	24	113	96	150	73	320	1.38

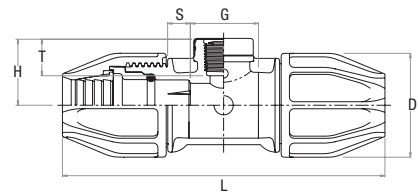


EXPANDING TEE (Pol x Pol x Pol)

Size (OD)	Ref No	Dimensions mm.							kg.
		S	S1	D	D1	H	G	L	
25mm x 25mm x 32mm	97 7334 00	11	14	56	69	102	40	177	0.27

TEES (Pol x FI BSP)

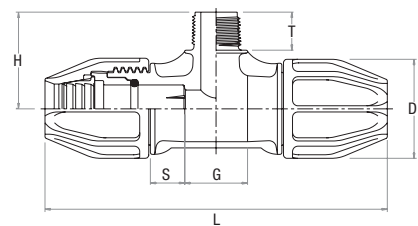
Size (OD x BSP)	Ref No	Dimensions mm.						kg.
		S	D	G	H	L	T	
16mm x 1/2"	97 7411 00	9	40	30	33	135	22.8	0.07
20mm x 1/2"	97 7421 00	10	47	31	38	145	22.8	0.10
20mm x 3/4"	97 7422 00	10	47	31	39	145	24.1	0.11
25mm x 1/2"	97 7431 00	11	56	40	40	177	22.8	0.16
25mm x 3/4"	97 7432 00	11	56	40	41	177	24.1	0.17
25mm x 1"	97 7433 00	11	56	40	44	177	27.4	0.18
32mm x 3/4"	97 7442 00	14	69	48	44	211	24.1	0.28
32mm x 1"	97 7443 00	14	69	48	44	211	27.4	0.30
32mm x 1 1/4"	97 7444 00	14	69	48	50	211	30.2	0.31
40mm x 1 1/4"	97 7454 00	18	82	50	53	251	30.2	0.49
40mm x 1 1/2"	97 7455 00	18	82	50	56	251	30.2	0.50
50mm x 1 1/2"	97 7465 00	24	96	60	67	284	30.2	0.76
50mm x 2"	97 7466 00	24	96	60	71	284	34.5	0.79
63mm x 2"	97 7476 00	29	113	73	77	320	34.5	1.16
75mm x 2"	97 7486 00	43	134	88	109	375	34.5	2.24
90mm x 3"	97 7498 00	50	154	100	123	451	39	3.63
110mm x 4"	97 7409 00	62	190	120	150	551	46	6.07



Stainless steel reinforcing ring on 1 1/4" and above

TEES (Pol x MI BSP)

Size (OD x BSP)	Ref No	Dimensions mm.						kg.
		S	D	G	H	L	T	
25mm x 1/2"	97 7931 00	11	56	35	53	188	19.8	0.17
25mm x 3/4"	97 7932 00	11	56	35	54	188	21.1	0.17



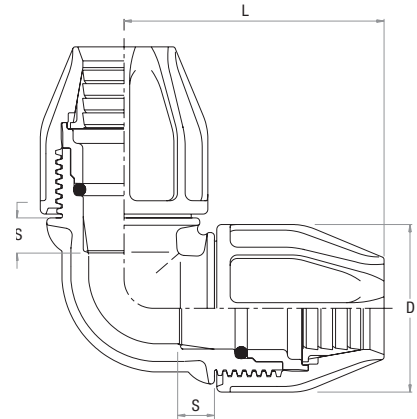
20 – 32mm fittings are available in lilac/purple for recycled water applications

For advice on chemical resistance properties please contact your nearest Philmac representative

RANGE DIMENSIONS & WEIGHTS

ELBOWS (Pol x Pol 90°)

Size (OD)	Ref No	Dimensions mm.			kg.
		S	D	L	Wt
16mm x 16mm	97 7511 00	9	40	67	0.06
20mm x 20mm	97 7522 00	10	47	73	0.09
25mm x 25mm	97 7533 00	11	56	89	0.15
32mm x 32mm	97 7544 00	14	69	107	0.26
40mm x 40mm	97 7555 00	18	82	124	0.45
50mm x 50mm	97 7566 00	24	96	142	0.67
63mm x 63mm	97 7577 00	29	113	161	1.04
75mm x 75mm	97 7588 00	43	134	192	1.47
90mm x 90mm	97 7599 00	50	157	233	2.44
110mm x 110mm	97 7500 00	62	190	275	4.29

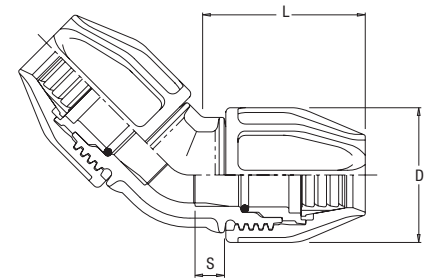


REDUCING ELBOW (Pol x Pol 90°)

Size (OD)	Ref No	Dimensions mm.			kg.
		S	D	L	Wt
25mm x 20mm	97 7523 00	11	-	81	0.13

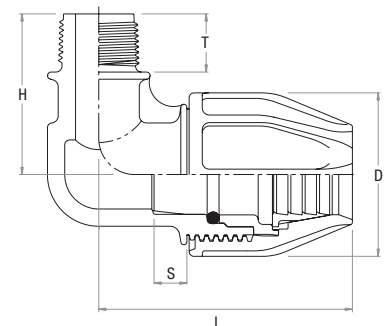
ELBOWS (Pol x Pol 45°)

Size (OD)	Ref No	Dimensions mm.			kg.
		S	D	L	Wt
20mm x 20mm	97 7028 00	10	47	63	0.09
25mm x 25mm	97 7038 00	11	56	71	0.15
32mm x 32mm	97 7048 00	14	69	85	0.26



ELBOWS (Pol x MI BSP)

Size (OD x BSP)	Ref No	Dimensions mm.					kg.
		S	D	H	L	T	Wt
25mm x 3/4"	97 7732 00	13	56	49	104	21.1	0.09
32mm x 1"	97 7743 00	14	69	68	127	24.4	0.17



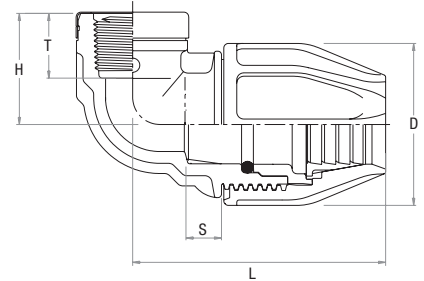
20 – 32mm fittings are available in lilac/purple for recycled water applications

For advice on chemical resistance properties please contact your nearest Philmac representative

RANGE DIMENSIONS & WEIGHTS

ELBOWS (Pol x FI BSP)

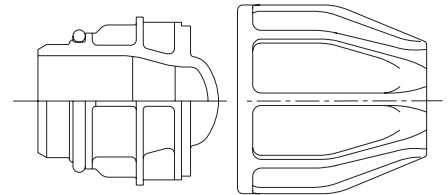
Size (OD x BSP)	Ref No	Dimensions mm.					kg.
		S	D	H	L	T	Wt
16mm x 1/2"	97 7611 00	9	40	33	67	22.8	0.04
20mm x 1/2"	97 7621 00	10	47	38	73	22.8	0.05
20mm x 3/4"	97 7622 00	10	47	39	73	24.1	0.07
25mm x 1/2"	97 7631 00	11	56	40	88	22.8	0.08
25mm x 3/4"	97 7632 00	11	56	41	88	24.1	0.10
25mm x 1"	97 7633 00	11	56	44	88	27.4	0.11
32mm x 1"	97 7643 00	14	69	48	105	27.4	0.17
32mm x 1 1/4"	97 7644 00	14	69	50	105	30.2	0.18
40mm x 1 1/4"	97 7654 00	18	82	53	126	30.2	0.28
40mm x 1 1/2"	97 7655 00	18	82	56	126	30.2	0.30
50mm x 1 1/2"	97 7665 00	24	96	71	142	30.2	0.43
50mm x 2"	97 7666 00	24	96	77	142	34.5	0.46
63mm x 2"	97 7676 00	29	113	77	160	34.5	0.68
75mm x 2"	97 7686 00	43	134	109	189	34.5	1.47
90mm x 3"	97 7698 00	50	157	122	223	39	2.44
110mm x 4"	97 7609 00	62	190	145	273	46	4.29



Stainless steel reinforcing ring on 1 1/4" and above

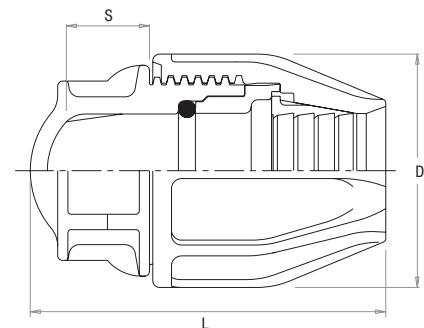
BLANKING SETS (Pol)

Size (OD)	Ref No
20mm	97 7022 00
25mm	97 7033 00
32mm	97 7044 00
40mm	97 7055 00
50mm	97 7066 00
63mm	97 7077 00



END CAPS (Pol)

Size (OD)	Ref No	Dimensions mm.			kg.
		S	D	L	Wt
16mm	97 7019 00	18	40	67	0.03
20mm	97 7029 00	19	47	74	0.05
25mm	97 7039 00	23	56	90	0.08
32mm	97 7049 00	24	69	104	0.13
40mm	97 7059 00	31	82	127	0.23
50mm	97 7069 00	33	96	139	0.33
63mm	97 7079 00	41	113	159	0.51
75mm	97 7089 00	48	134	170	0.71
90mm	97 7099 00	55	157	220	1.14
110mm	97 7009 00	67	190	250	1.81



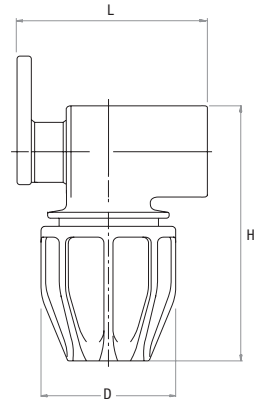
20 – 32mm fittings are available in lilac/purple for recycled water applications

For advice on chemical resistance properties please contact your nearest Philmac representative

RANGE DIMENSIONS & WEIGHTS

BRASS WALL PLATE ELBOW (Pol x FI BSP)

Size (ODxBSP)	Ref No	Dimensions mm.			kg.
		D	L	H	Wt
25mm x 3/4"	97 7239 00	55	65	88	0.47

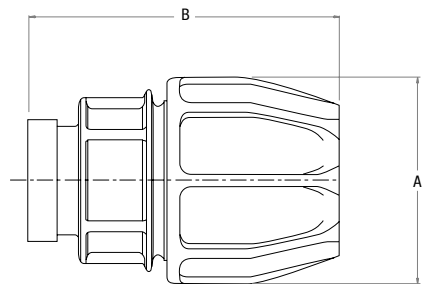


PLASTIC WALL PLATE ELBOW (Pol x FI BSP)

Size (ODxBSP)	Ref No	Dimensions mm.			kg.
		D	L	H	Wt
20mm x 1/2"	97 7022 11	47	56	76	0.06
25mm x 3/4"	97 7032 11	55	65	88	0.08

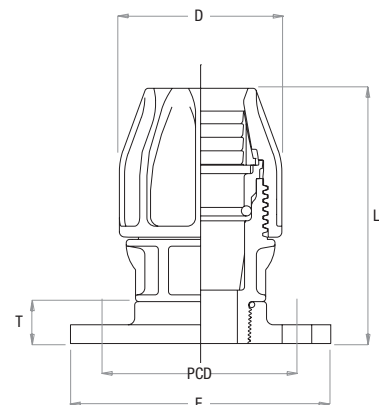
SHOULDERED ADAPTOR

Size (OD)	Ref No	Dimensions mm.		kg.
		A	B	Wt
50mm x 2"	97 716620	96	165	0.34
63mm x 2"	97 717620	113	178	0.52
90mm x 4"	97 719910	157	235	1.34
110mm x 4"	97 710910	190	282	2.15



FLANGED ADAPTORS (Pol x Flange Table E)

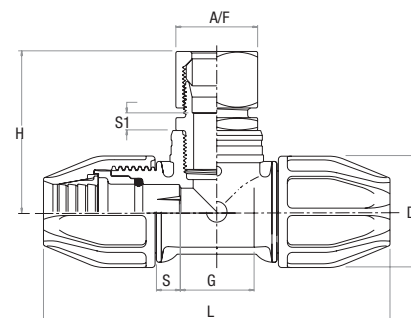
Size (OD)	Ref No	Dimensions mm.						kg.
		PCD	No. of bolt holes	D	L	T	F	Wt
50 x 2"	97 7766 00	114	4	96	156	32	150	2.40
63 x 2"	97 7776 00	114	4	113	166	32	150	2.60
75 x 3"	97 7788 00	146	4	134	190.5	37.5	185	2.92
90 x 3"	97 7798 00	146	4	157	221	37.5	185	3.40
110 x 4"	97 7709 00	178	8	190	269	44	215	5.10



Diameter of bolt holes is 18mm.
Maximum operating pressure is 1600kPa.

TRANSITION FITTINGS (TEES)* (PE Metric x Copper – ASI432)

Size (OD x BSP)	Ref No	Dimensions mm.							kg.
		S	S1	D	H	G	A/F	L	Wt
20mm x 20mm x 1/2"	99 6921 00	11	6	56	62	40	25.4	145	0.2
25mm x 25mm x 1/2"	99 6931 00	11	6	56	66	40	25.4	177	0.26
25mm x 25mm x 3/4"	99 6932 00	11	6	56	67	40	31.8	177	0.31



*Supplied with Nut (DR Brass) and Olive.

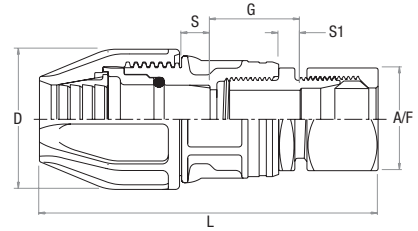
20 – 32mm fittings are available in lilac/purple for recycled water applications

For advice on chemical resistance properties please contact your nearest Philmac representative

RANGE DIMENSIONS & WEIGHTS

TRANSITION FITTINGS (JOINERS/COUPLING)* (PE Metric x Copper – ASI432)

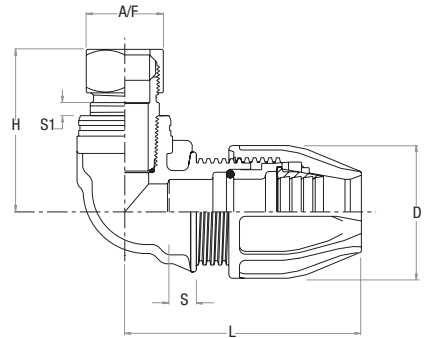
Size (OD x BSP)	Ref No	Dimensions mm.						kg.
		S	S1	D	G	A/F	L	
16mm x 1/2"	99 6211 00	9	6	40	32	25.4	93	0.13
20mm x 1/2"	99 6221 00	10	6	47	33	25.4	108	0.14
20mm x 3/4"	99 6222 00	10	6	47	33	31.8	108	0.19
25mm x 1/2"	99 6231 00	11	6	56	33	25.4	120	0.18
25mm x 3/4"	99 6232 00	11	6	56	33	31.8	123	0.22
32mm x 3/4"	99 6242 00	14	6	69	33	31.8	140	0.30



*Supplied with Nut (DR Brass) and Olive.

TRANSITION FITTINGS (ELBOWS)* (PE x Copper – ASI432)

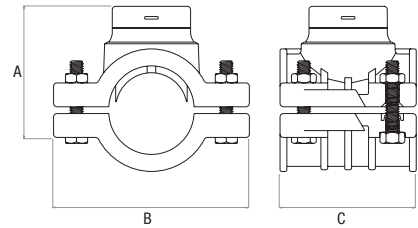
Size (OD)	Ref No	Dimensions mm.						kg.
		S	S1	D	H	A/F	L	
20mm x 1/2"	99 6721 00	10	6	47	62	25.4	73	0.16
25mm x 1/2"	99 6731 00	11	6	56	66	25.4	88	0.19
25mm x 3/4"	99 6732 00	11	6	56	67	31.8	88	0.23



*Supplied with Nut (DR Brass) and Olive.

TAPPING SADDLES Pol/PP/ABS (Metric size) x FI BSP

Size (OD x BSP)	Ref No Zinc Plated Nuts and Bolts	Ref No Stainless Steel Nuts and Bolts	No. of bolt holes	Bolt Size	A	B	C
25 x 3/4"	97703200	97753200	2	M8 x 45	-	-	-
32 x 3/4"	97704200	97754200	2	M8 x 45	67	92	66
32 x 1"	97704300	97754300	2	M8 x 45	67	92	66
40 x 3/4"	97705200	97755200	4	M8 x 45	81	96	67
40 x 1"	97705300	97755300	4	M8 x 45	81	96	67
50 x 3/4"	97706200	97756200	4	M8 x 45	95	115	80
50 x 1"	97706300	97756300	4	M8 x 45	95	115	80
63 x 3/4"	97707200	97757200	4	M8 x 55	110	126	89
63 x 1"	97707300	97757300	4	M8 x 55	110	126	89
63 x 1 1/2"	97707500	97757500	4	M8 x 55	110	126	89
75 x 3/4"	97708200	97758200	4	M10 x 65	127	141	99
75 x 1"	97708300	97758300	4	M10 x 65	127	141	99
75 x 1 1/2"	97708500	97758500	4	M10 x 65	127	141	99
75 x 2"	97708600	97758600	4	M10 x 65	127	141	99
90 x 1"	97709300	97759300	4	M10 x 65	141	160	104
90 x 1 1/2"	97709500	97759500	4	M10 x 65	141	160	104
90 x 2"	97709600	97759600	4	M10 x 65	141	160	104
110 x 1"	97700300	97750300	4	M10 x 65	161	181	108
110 x 1 1/2"	97700500	97750500	4	M10 x 65	161	181	108
110 x 2"	97700600	97750600	4	M10 x 65	161	181	108



Stainless steel reinforcing rings on all sizes

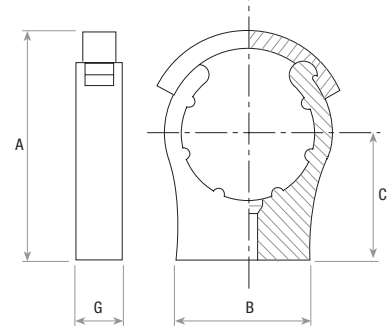
20 – 32mm fittings are available in lilac/purple for recycled water applications

For advice on chemical resistance properties please contact your nearest Philmac representative

RANGE DIMENSIONS & WEIGHTS

PIPE CLIPS (Bolts/Screws not included)

Size (OD)	Ref No	Bolt size	Dimensions mm.				kg.
			A	B	C	G	Wt
16mm	13 4343 05	M4	-	35	25	16	.007
20mm	13 4343 06	M5	-	35	30	16	.008
25mm	13 4343 07	M5	-	35	35	17	.011
32mm	13 4343 08	M5	-	40	40	17	.014
40mm	13 4343 09	M5	-	45	45	20	.021
50mm	13 4343 10	M6	85	50	50	21	.030
63mm	13 4343 11	M6	102	60	60	21	.042
75mm	13 4343 12	M8	122	70	70	31	.094
90mm	13 4343 13	M8	148	80	90	31	.121
110mm	13 4343 14	M8	171	90	96	35	.085



METRIC CHEMICAL RESISTANT KITS Viton A O-Ring with Polypropylene Spacer Kit

Size (OD)	Ref No
20mm	90 7022 10
25mm	90 7033 10
32mm	90 7044 10
40mm	90 7055 10
50mm	90 7066 10
63mm	90 7077 10
75mm	90 7088 10
90mm	90 7099 10
110mm	90 7000 10

EPDM O-RING with Polypropylene Spacer Kit

Size (OD)	Ref No
20mm	90 7122 24
25mm	90 7133 24
32mm	90 7144 24
40mm	90 7155 24
50mm	90 7166 24
63mm	90 7177 24
70mm	90 7188 24
90mm	90 7199 24
110mm	90 7100 24

METRIC CHEMICAL RESISTANT KIT -2 (For submerged applications) with EPDM O-Ring, Polypropylene Spacer and Polysulfone Split Ring

Size (OD)	Ref No
20mm	90 7122 10
25mm	90 7133 10
32mm	90 7144 10
40mm	90 7155 10
50mm	90 7166 10
63mm	90 7177 10
75mm	90 7188 10
90mm	90 7199 10

Chemical resistance for submerged application.

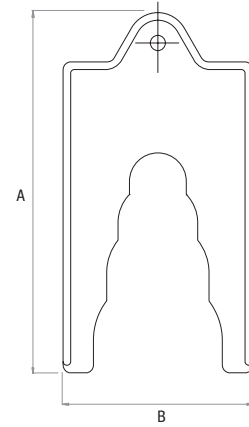
20 – 32mm fittings are available in lilac/purple for recycled water applications

For advice on chemical resistance properties please contact your nearest Philmac representative

RANGE DIMENSIONS & WEIGHTS

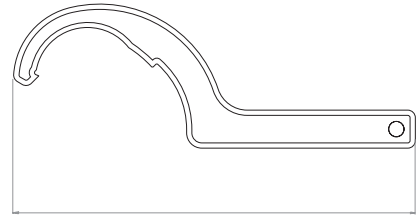
PIPE MEASURING GAUGE (15mm - 34mm)

Size (OD)	Ref No	Dimensions mm.		kg.
		A	B	Wt
15 - 34mm	97 1135 00	95	50	0.016



SPANNERS

Size (OD)	Ref No	Dimensions mm.		kg.
		L	Wt	
20 - 32mm	90 7024 00	170	0.03	
32 - 63mm	90 7047 00	265	0.10	
50 - 110mm	90 7050 00	460	0.35	



20 – 32mm fittings are available in lilac/purple for recycled water applications

For advice on chemical resistance properties please contact your nearest Philmac representative