

AMIAD "BRUSHAWAY" FILTERS

For manual or semi-automatic cleaning of Amiad 2"-14" filters



- Quick and efficient cleaning of manual filters.
- Manual brush-cleaning by turn-of-a-handle, requires minimal system shutdown or touching the inner parts.
- Automatic brush cleaning by means of the "MBA" (Motorized Brush Away).
- Allows automatic brush cleaning according to time.
- No additional head loss through the filter.
- Available as a retrofit assembly kit for use with existing Amiad filters.
- Also available as complete Brushaway filters.
- Recommended for filtration degrees of 200 micron and coarser.

How do the BRUSHAWAY filters work?

The BRUSHAWAY assembly consists of nylon brushes fitted on a frame and inserted into the filter screen. A simple handle, outside the filter, allows to brush away particles from the screen surface, and to expel them out from the filter.

Brushing is done during the filtering process without having to stop the water supply.

Technical specifications

Plastic brushaway filters

Filter type	Catalogue number	Max. Flow rate		Filter area		Weight	
		m ³ /h	USgpm	cm ²	ln ²	kg	lb
2"T	01-2021-2131-4	25	110	465	72	6.0	13.2
2"T-S	01-2221-2131-4	25	110	700	108	6.7	14.8
3"T	01-3021-2131-4	50	220	700	108	7.3	16.0

Steel brushaway filters

Filter type	Catalogue number	Max. Flow rate		Filter area		Weight	
		m ³ /h	USgpm	cm ²	ln ²	kg	lb
2"	02-0200-1130-4	25	110	465	72	10	22
3"	02-0300-1100-4	50	220	930	144	16	35.3
4"L	02-0410-1100-4	80	350	930	144	20	44
4"S	02-0420-1100-4	80	350	2740	425	42.4	93.5
6"C	02-0600-1100-4	160	700	2740	425	47.4	105
6"S	02-0640-1100-4	160	700	5720	887	61	135
8"	02-0800-1100-4	300	1320	5720	887	70	154
10"	02-1000-1100-4	500	2200	11440	1773	200	441
12"	02-1200-1100-4	650	2860	17160	2660	295	650
14"	02-1400-1100-4	1000	4400	22880	3546	385	850

For additional technical information, including pressure rating, head loss and construction materials, please see the Amiad Plastic filter brochure and Steel filter brochure.



Standard filtration degrees

	Perforated stainless steel screen*			Wedgewire stainless steel screen			
micron	3500	2500	1500	800	500	300	200
mm	3.5	2.5	1.5	0.8	0.5	0.3	0.2
mesh	4	6	10	20	30	50	75

*With 4"S - 14" steel filters only

"MBA" - Motorized Brushaway Assembly kits

The assembly kit includes: Valve, motor and controller.

12-0803-4350

Kit for motorized Brushaway filter, 3 phase

12-0803-4330

Kit for motorized Brushaway filter, 1 phase

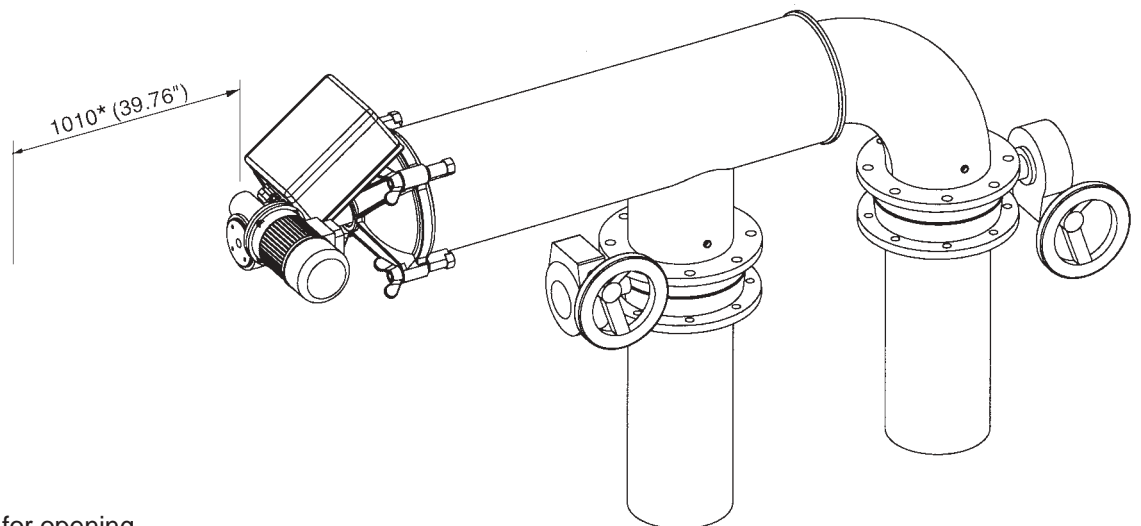
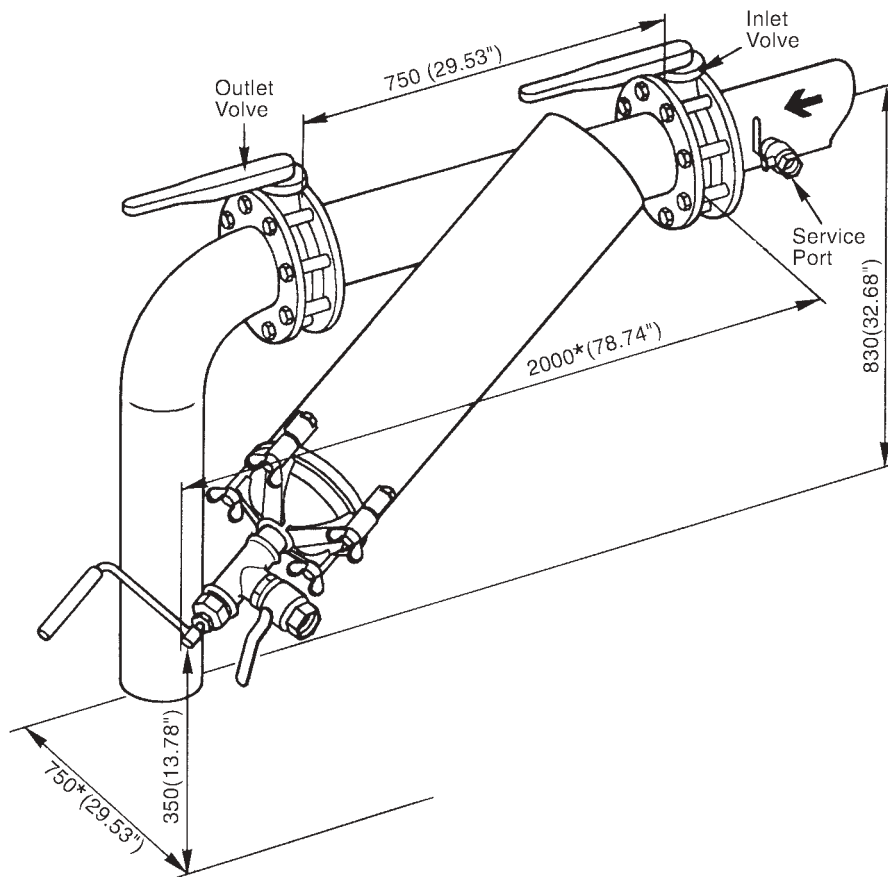
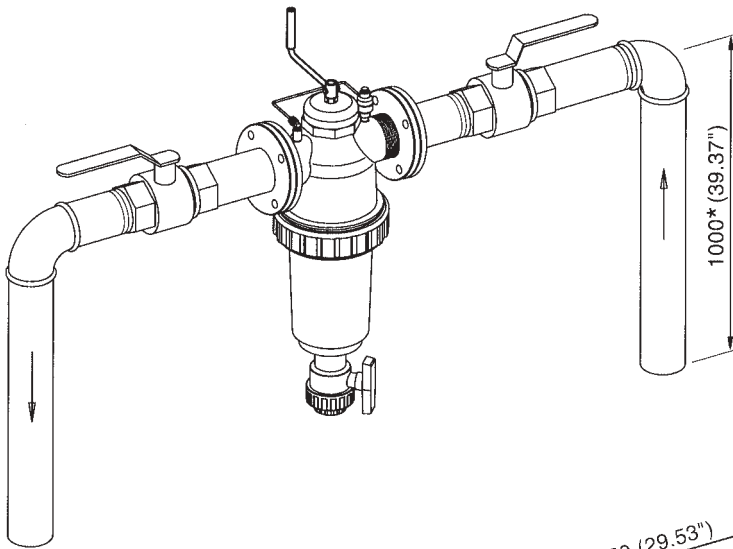
12-0803-4310

Kit for motorized Brushaway filter, 12V DC

The assembly kit can be mounted on any existing Amiad steel filter from 4"-Super and up to 8".



Suggested installations



*Distance required for opening.

Typical applications



Filtration of process water in a detergent manufacturing plant



Recirculating of water at a green house.



"Siemens Power Station" - China. Semi automatic filtration for the cooling water system, 300 micron.



amiad filtration systems

Manufacturer and Head Office: Amiad Filtration Systems (1997) Ltd.

D.N. Galil Elyon 1 ● 12335 ● Israel ● Tel: +972-4-690-9500 ● Fax: +972-4-690-9391 ● E-Mail: mrketing@amiad.co.il

North America: Amiad Filtration Systems ● 2220 Celsius, Unit B ● Oxnard, CA. 93030 ● USA ● Tel: (805)988-3323 ● Fax: (805)988-3313

Australia: Amiad Australia Pty. Ltd. ● 3/15 Brisbane St. ● Eltham ● Victoria 3095 ● Tel: 03-9439-3533 ● Fax: 03-9439-1612

Germany: Amiad Filtration Systems ● Gerstäckerstr. 9 ● D-20459 Hamburg ● Germany ● Tel: +49-40-3609-6770 ● Fax: +49-40-3609-6765

France: Amiad France S.A.R.L. ● 31 Boulevard Lefebvre ● 75015 Paris ● France ● Tel: 33 (0)1 56.08.55.22 ● Fax: 33 (0)1 45.30.25.96

South America: Amiad Sur ● José Ellauri 357/Of.803 ● Montevideo CP 11300 ● Uruguay ● Tel: +598-2-711-0723 ● Fax: +598-2-711-2469

Singapore: F.C.S. Pte. Ltd. ● 111 North Bridge Road ● #07-07 Peninsula Plaza ● Singapore 179098 ● Tel: +65-6-337-6698 ● Fax: +65-6-337-8180



AMIAD products undergo constant monitoring for quality control. The manufacturer reserves the right to incorporate changes and improvements in the product without prior notice.

Ref: 95-044-510-002/11.02