

*The circular letter for Marketing, Sales, Technicians and Field Service of
Amiad Filtration Systems*

1" & 1 1/2" Tee filters

Have been added to the Amiad plastic Tee filters



- *1", 1 1/2" & 1 1/2"-Super TEE filters are now available with the traditional variety of filtration degrees - with screen or disc elements. See overleaf.*

MARKETING NEWS



amiad filtration systems



CIR-MN-08.02-027

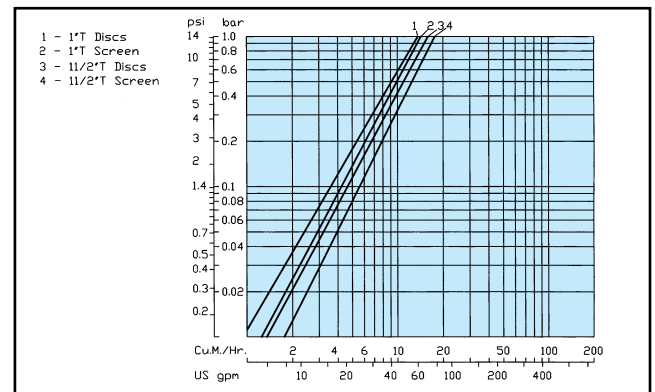
Technical specifications

Filter type		1" T	1 1/2" T	1 1/2" T-Super
Cat. Number		01-1221-4231	01-1521-4231	01-1621-4231
In/out connection		25 mm (1")	40 mm (1 1/2")	40 mm (1 1/2")
Max. Flow rate		7 m ³ /h	15 m ³ /h	15 m ³ /h
Max. Operating pressure		10 bar	10 bar	10 bar
Max. Temperature		60° C	60° C	60° C
Filter area	Screen	170 cm ²	170 cm ²	340 cm ²
	Disc	200 cm ²	200 cm ²	460 cm ²
Weight	Screen	0.917 kg	0.855 kg	1.244 kg
	Disc	0.921 kg	0.960 kg	1.442 kg

Construction materials

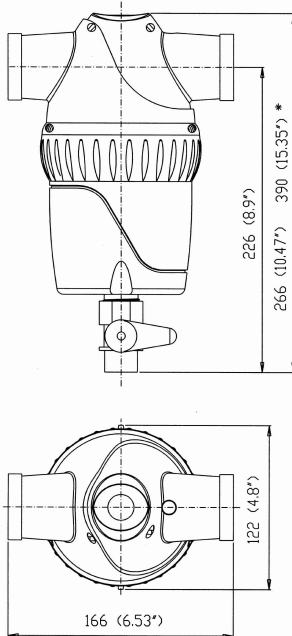
Housing and lid		PP
Housing seal		NBR
Screen cylinder	Construction	PP
	Mesh	ST.ST / PES
	Seals	NBR
Disc element	Construction	PP
	Grooved discs	PE
	Seals	NBR

Pressure loss graph

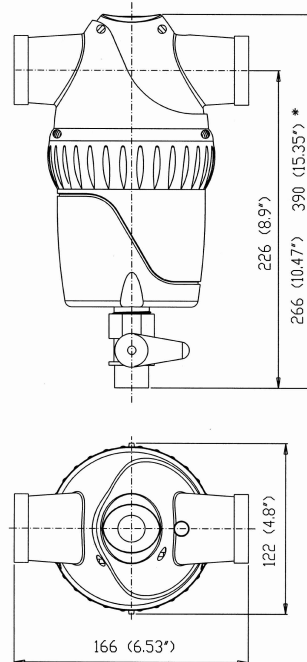


Dimensional drawings

1" T



1 1/2" T



1 1/2" T-Super

