

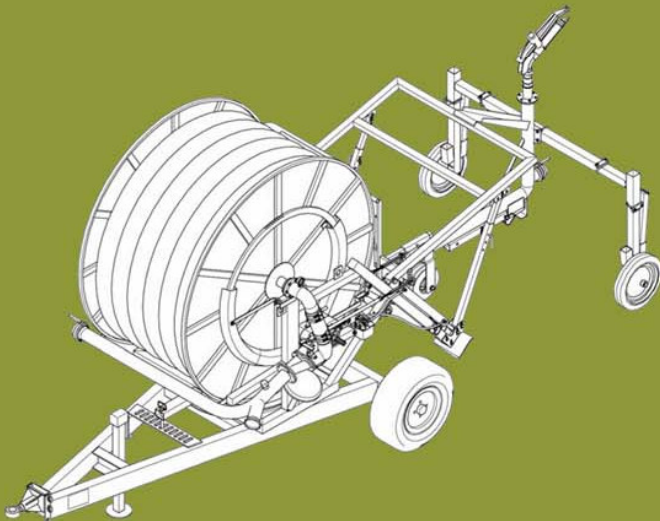


Marani assembles and offers to their customers the fourth generation turbine system, providing excellent results even at very low pressures: 2-3 bars when using the spray boom and 5-6 bars when using the rain gun.

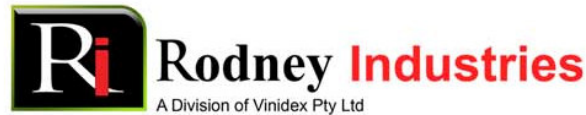
The choke-flow turbine with built in bypass and flanged directly to a gearbox represents a significant advance in hose reel irrigators drive system and makes the system very reliable for a performance point of view.

The turbine is made with a special aluminium alloy and machined using automatic machine tools. The current turbine-gearbox system has eliminated the transmission belt and the external bypasses. The turbine is connected directly to the gearbox and the bypass is internal. This keeps the pressure absorption to a minimum, allowing the machine to run more smoothly.

Every machine is complete with its manuals and instruction stickers in many different languages, spare parts lists and performance sheets to make the end user run the machine very easily by themselves.



To find your closest dealer,
contact



19 Valente Close
Chermside QLD 4032
PO 5657
Stafford Heights QLD 4053

Ph: 07 3624 0300
Fax: 07 3624 0399

Email: sales@rodneyind.com.au
Web: www.rodneyind.com.au



MARANI

Hard Hose Irrigators

High Quality, Proven Technology
at the RIGHT Price





Marani Hard Hose Irrigators



Marani has one of the largest specific ranges of poly reel irrigators available in all markets worldwide ranging from a 40mm to a 160mm machine.

Machines Include



F010B

40mm x 130m
50mm x 170m
63mm x 100m



GT022B

75mm x 220m
75mm x 250m



GT030B

90mm x 300m
90mm x 350m



GT050B

90mm x 500m
110mm x 300m
110mm x 350m
125mm x 250m

Why Marani?

Fully Galvanised

- Corrosion resistance
- Extra durability

Fourth Generation Pelton Turbine (Choke Flow)

- Lower pressure loss over turbine
- More economical to run
- Gives a wider speed control range

HDPE Hose

- Manufactured to resist heavy drags
- Will work at high pressures

Tachometer

- Retraction speed can be instantly read out

Hose Guide System – Scroll Bar

- Guarantees a perfect layering of the PE hose
- Reduces hose wear to a minimum

Gearbox

- 3,4 & 6 Speed gearboxes
- Ease of speed changing

Shut-Off Valve

- Automatically closes the water delivery at the end of the run



Applications

Marani Hard Hose Irrigators can be used in a range of applications;

- With rain gun for standard operations
- With boom for lower operating pressures
- With under foliage trolley in nursery operations

IT70B

110mm x 500m
110mm x 550m
125mm x 350m
125mm x 400m
140mm x 300m
140mm x 350m



IT100B

125mm x 650m
125mm x 700m
125mm x 750m
140mm x 500m
140mm x 550m
140mm x 600m
150mm x 450m
150mm x 500m
150mm x 550m



* Models shown are only a selection of machines available



Irrigation Technology

