

1

2

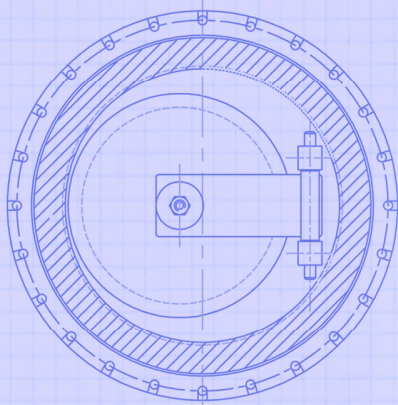
3

4

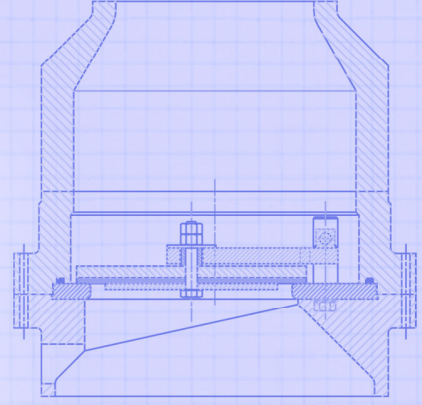
RevNo	Revision note	Date	Signature	Checked
-------	---------------	------	-----------	---------

A

A

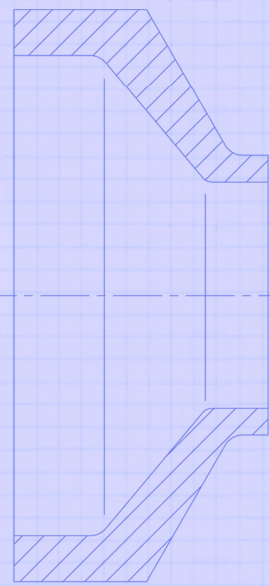
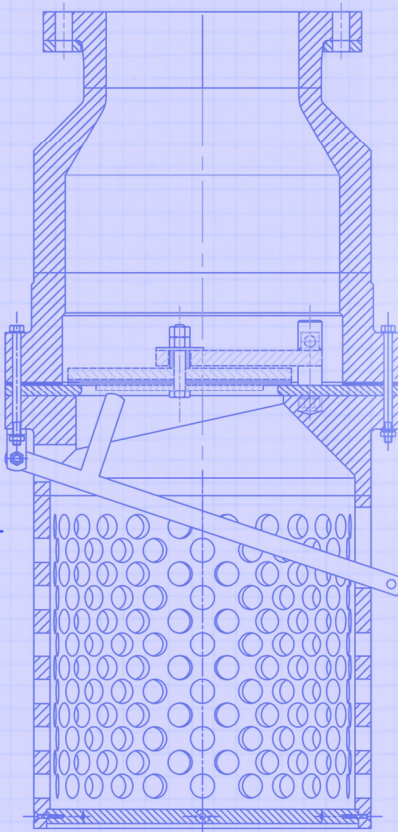


NOW THERE IS A CLEARER REASON



B

B

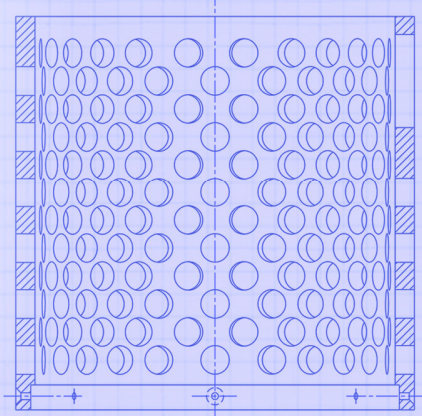


C

C

D

D



The Poly Footvalve

F

F

Itemref		Quantity	Title/Name, designation, material, dimension etc			Article No./Reference	
Tolerances		Registered Design by Rodney Industries	Checked by R&D	Approved by Australian Standards	Design No 140484	Date July 2008	Scale NTS
0.	±1mm	 Rodney Industries <small>A Division of Vinidex Pty Ltd</small>			Description Footvalve: Poly housing with Stainless Steel & Polycarbonate valve assembly or Galvanized Steel Valve Assembly		
0.0	±0.5mm						
0.00	±0.2mm						
Angle	± 1/2°	Drawing No FVP110/315		Revision 4	Sheet 1 of 1		

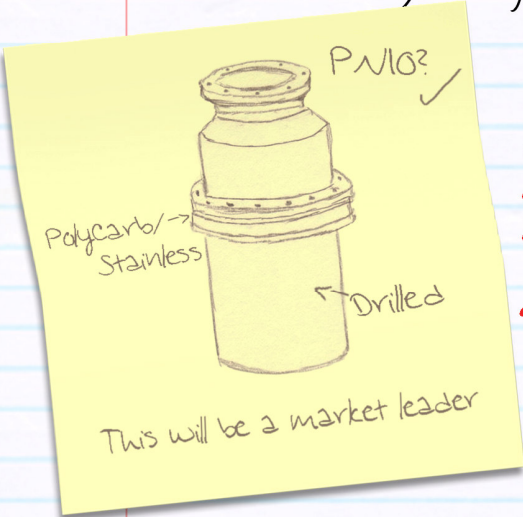


What if.... We took the best steel footvalve and just replaced the parts that prematurely corrode and fail?? (body & basket strainer)

THE POLY FOOTVALVE

FOOTVALVES: POLY

Poly housing with Stainless Steel & Polycarbonate Valve Assembly
Or
Galvanized Steel Valve Assembly



- Full Polyethylene body contains the mechanically sensible valve assembly
- Extremely efficient flow characteristics through the full range
- Full bore maxi stub gives the benefit of nominal ID and full face sealing (eg. 250mm stub used a 200mm Backing plate)
- Galvanized or stainless 316 valve flap and flange option across the entire range of footvalves

* $K^i = 1.2$ - K Factor way better than *
anything we have come across
normally - 2.5

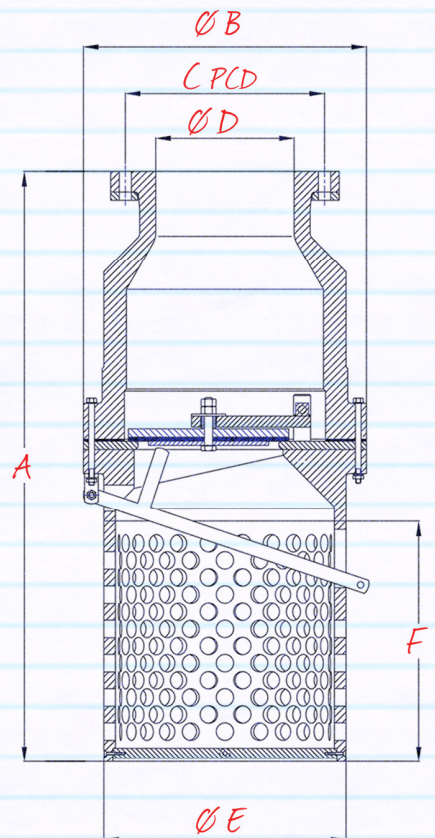
Footy tips
Thursday

Why the Polycarbonate and not Steel?

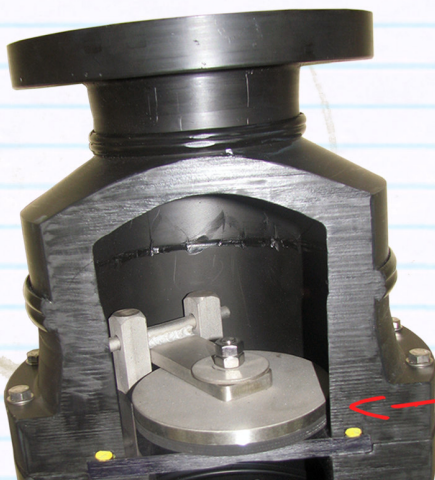
- The Polycarbonate seat is virtually unbreakable with 250 times the impact strength of float glass and 30 times that of acrylic
- It's the perfect choice for a long service life due to its good corrosion and weather resistance
- Perfectly Flat Surface
- Will eliminate crevice corrosion, (a problem for Stainless Steel)
- The Polycarbonate is made in Australia

Standard Arrangement

FOOTVALVE	METAL COMPONENTS		GENERAL DIMENSIONS					
	316 SIS	MS GALV	A	ØB	C PCD	ØD	ØE	F
FVP-110	STD	STD	630	280	178 - 4"	106	225	290
FVP-125	STD	STD	750	332	210 - 5"	130	280	350
FVP-160	STD	STD	770	332	235 - 6"	162	280	345
FVP-200	STD	STD	835	415	292 - 8"	203	355	350
FVP-250	STD	STD	1020	526	356 - 10"	255	400	500
FVP-315	STD	STD	1008	580	406 - 12"	302	450	425



Pick up milk on the way home!



This is the PERFECT Seal



Rodney Industries

A Division of Vinidex Pty Ltd

19 Valente Close

CHERMSIDE QLD 4032

Ph: 61 7 3624 0300

Fax: 61 7 3624 0399

Email: sales@rodneyind.com.au

Web: www.rodneyind.com.au