

# 640 Series Sprinklers

S P R I N K L E R S

Considered the most durable, heavy-duty commercial sprinkler available, the 640 Series is the traditional, proven veteran for athletic fields and other large commercial applications. It is equipped with a standard rubber cover, five nozzles, 12 arcs and a check valve. A variety of models are available including Valve-In-Head and effluent.

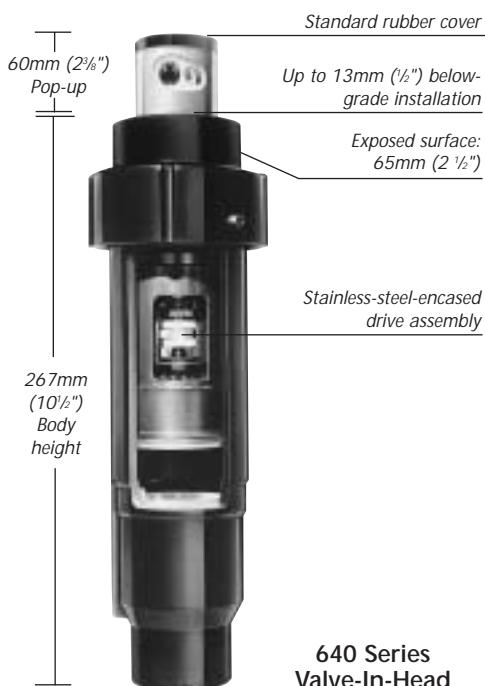
### 14-20m (47'-67') Radius

#### Features

- Selection of 5 nozzles and 12 arcs
- Valve-in-head (normally open hydraulic models)
- Standard rubber cover minimizes impact damage
- Adjustment screw allows up to 25% radius reduction
- Standard check valve prevents low-head drainage, keeping laterals charged with water
- Up to 13mm (1/2") below-grade installation
- Vandal-resistant cap with locking set screw
- Small exposed surface diameter
- Stainless-steel-encased nozzle and drive assembly
- Stainless-steel retraction spring
- Durable engineering plastic, brass and stainless-steel construction
- Gear-drive design for longer life
- Basket filter screen to prevent clogging
- Capable of faster rotation – fast speed performance data available
- 5 year warranty

#### Specifications

- Radius: 14-20m (47'-67')
- Flow rate: 23-95 LPM (6.0-25.0 GPM)
- Recommended operating pressure: 2.8-6.2 Bar (40-90 PSI)
- Maximum operating pressure: 7 Bar (100 PSI)
- Pop-up to nozzle: 60mm (2 3/8")
- 25mm (1") female-threaded inlet, NPT or BSP
- Trajectory: 27°
- Dimensions:
  - Exposed surface diameter when buried 13mm (1/2") below grade: 65mm (2 1/2")
  - Body diameter: 65mm (2 1/2")
  - Cap diameter: 83mm (3 1/4")
  - Body height:
    - Check-O-Matic: 230mm (9")
    - Valve-in-head: 267mm (10 1/2")
- Check-O-Matic maintains 4.6m (15') elevation change



# 640 Series Sprinklers

Effluent models available



640 Series Check-O-Matic



640 Series Valve-In-Head

Apex at 3,5 Bar	
27°	
Nozzle	Maximum Height of Spray
40	3,5m (11'6" @ 50 PSI)
41	4,2m (13'10" @ 50 PSI)
42	4,1m (13'5" @ 50 PSI)
43	5,7m @ 4 Bar (18'8" @ 60 PSI)
44	6,0m @ 5 Bar (19'6" @ 75 PSI)

640 Series Performance Chart — Metric					
Nozzle	Bar	kPa	Kg/cm <sup>2</sup>	Meters	LPM
40	3,0	300	3,06	14,6	23,6
	3,5	350	3,57	15,3	25,5
	4,0	400	4,08	15,7	27,2
	4,5	450	4,59	16,0	29,0
	5,0	500	5,10	16,2	30,9
	5,5	550	5,61	16,5	32,5
	6,0	600	6,12	16,7	34,1
41	3,0	300	3,06	15,2	36,9
	3,5	350	3,57	16,2	38,8
	4,0	400	4,08	16,4	41,0
	4,5	450	4,59	16,6	43,4
	5,0	500	5,10	16,8	45,8
	5,5	550	5,61	17,1	48,0
	6,0	600	6,12	17,3	49,9
42	3,0	300	3,06	16,2	46,6
	3,5	350	3,57	16,8	49,1
	4,0	400	4,08	17,0	52,2
	4,5	450	4,59	17,2	54,4
	5,0	500	5,10	17,5	56,7
	5,5	550	5,61	17,7	59,7
	6,0	600	6,12	17,7	62,5
43	3,0	300	3,06	17,4	51,7
	3,5	350	3,57	18,0	55,2
	4,0	400	4,08	18,0	58,5
	4,5	450	4,59	18,3	62,0
	5,0	500	5,10	18,7	65,6
	5,5	550	5,61	19,2	69,1
	6,0	600	6,12	19,4	72,2
44	3,0	300	3,06	17,3	65,7
	3,5	350	3,57	18,3	70,8
	4,0	400	4,08	18,5	74,3
	4,5	450	4,59	18,9	79,3
	5,0	500	5,10	19,4	84,3
	5,5	550	5,61	19,8	88,4
	6,0	600	6,12	20,2	92,8

All performance specifications are based on the stated working pressure available at the base of the sprinkler head.

640 Series Performance Chart — English			
Nozzle	PSI	Feet	GPM
40	40	47	6.0
	50	50	6.7
	60	52	7.3
	70	53	8.0
	80	54	8.6
	90	55	9.2
	41	40	48
50		53	10.2
60		54	11.0
70		55	11.9
80		56	12.7
90		57	13.4
42		40	52
	50	55	12.9
	60	56	14.0
	70	57	14.7
	80	58	15.8
	90	58	16.8
	43	40	56
50		59	14.5
60		59	15.7
70		61	17.0
80		63	18.3
90		64	19.4
44		40	55
	50	60	18.6
	60	61	19.9
	70	63	21.9
	80	65	23.4
	90	67	25.0

All performance specifications are based on the stated working pressure available at the base of the sprinkler head.

## Specifying Information

64X XX XX XXX

Arc	Body Thread	Valve Type	Special Nozzle	Arc	Optional
0-Special Arc	0-NPT	1-NO Valve-In-Head	40 43	045° 148°	E-Effluent Model
1-90°	5-BSP	Head	41 44	060° 173°	
2-180°		2-Check-O-Matic	42	108° 192°	
3-270°				127° 238°	
4-360°					

For Example:

When specifying a 640 Series with a 180° arc, a #42 nozzle, BSP, with check valve, you would specify:

642-52-42



**Count on it.**

Worldwide Headquarters  
The Toro Company  
8111 Lyndale Avenue South  
Bloomington, MN 55420  
Phone: 952-888-8801  
Fax: 952-887-7265  
www.toro.com

GB Form Number: 200-xxxx  
©2005 The Toro Company - All Rights Reserved.