

TRAILCO®

TRAVELLER T200-2

MODEL "A"

SPARE PARTS



Trailco Irrigation (Aust.)

ABN: 35 480 117 190

1289 KINGSFORD SMITH DRIVE
PINKENBA, QLD. 4008

P.O. BOX 1278, EAGLE FARM
QLD. 4009, AUSTRALIA

PHONE: (07) 3260 1828 FAX: (07) 3260 1877

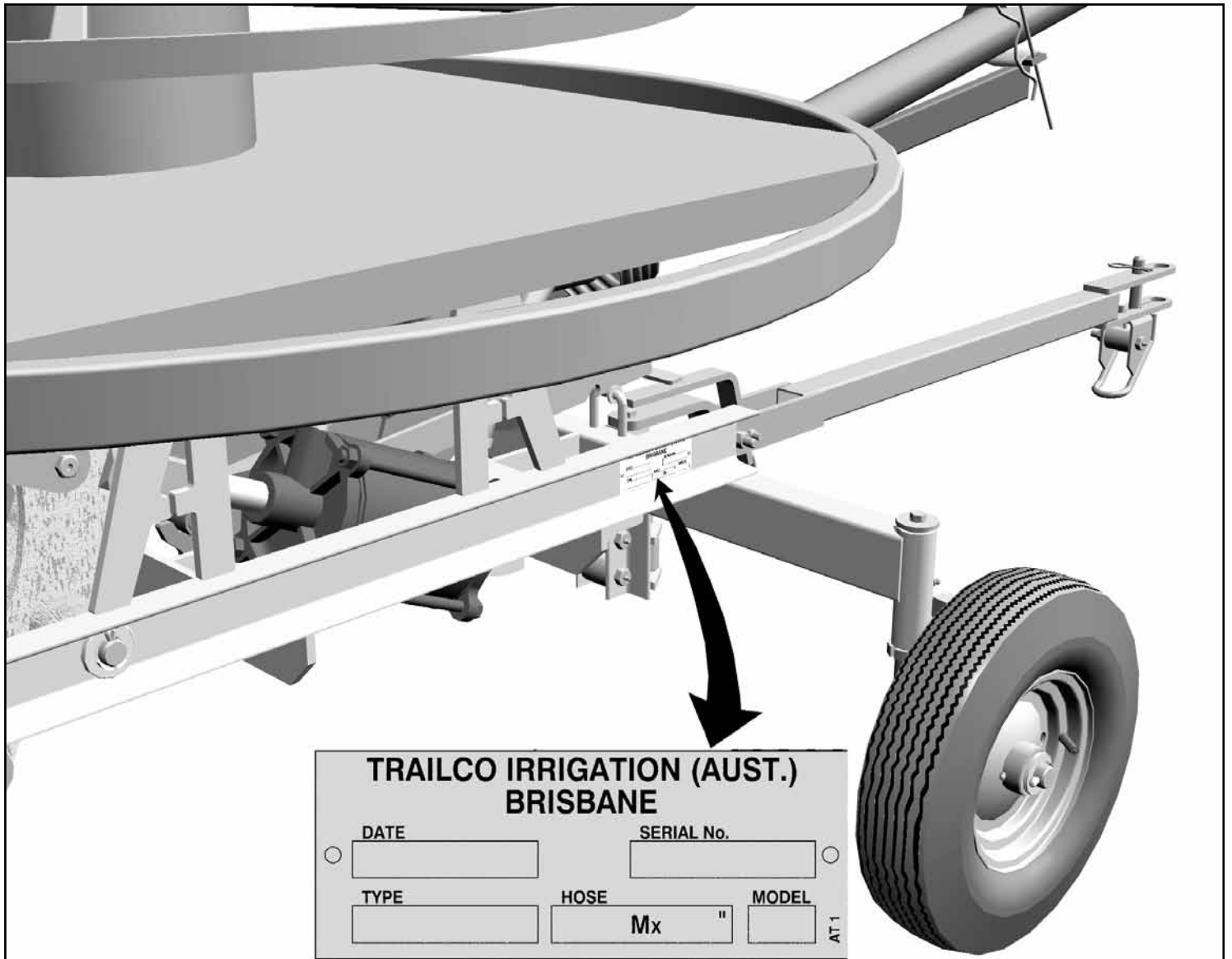
International Callers: Country (61) Area (7)

Web Site:- www.trailco.com.au

E-Mail:- sales@trailco.com.au



LOCATION OF MODEL/SERIAL No. PLATE



Please quote these details when ordering Spare Parts.

TRAILCO TRAVELLER T 200-2

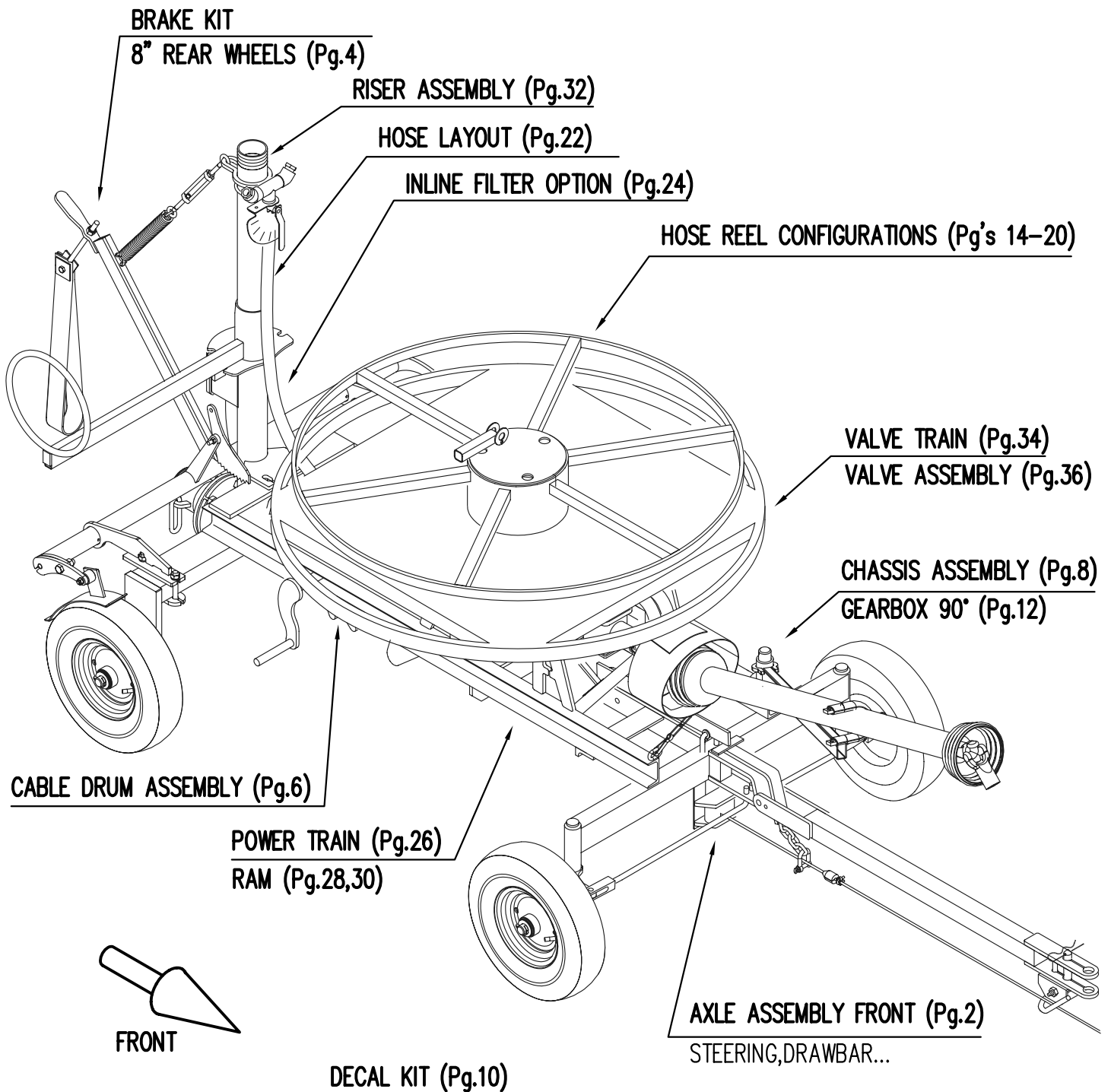
MODEL : A

SERIAL No. :

PART No. : 9100

DATE : 20JUL2000

CONTENTS



TRAILCO TRAVELLER T 200-2

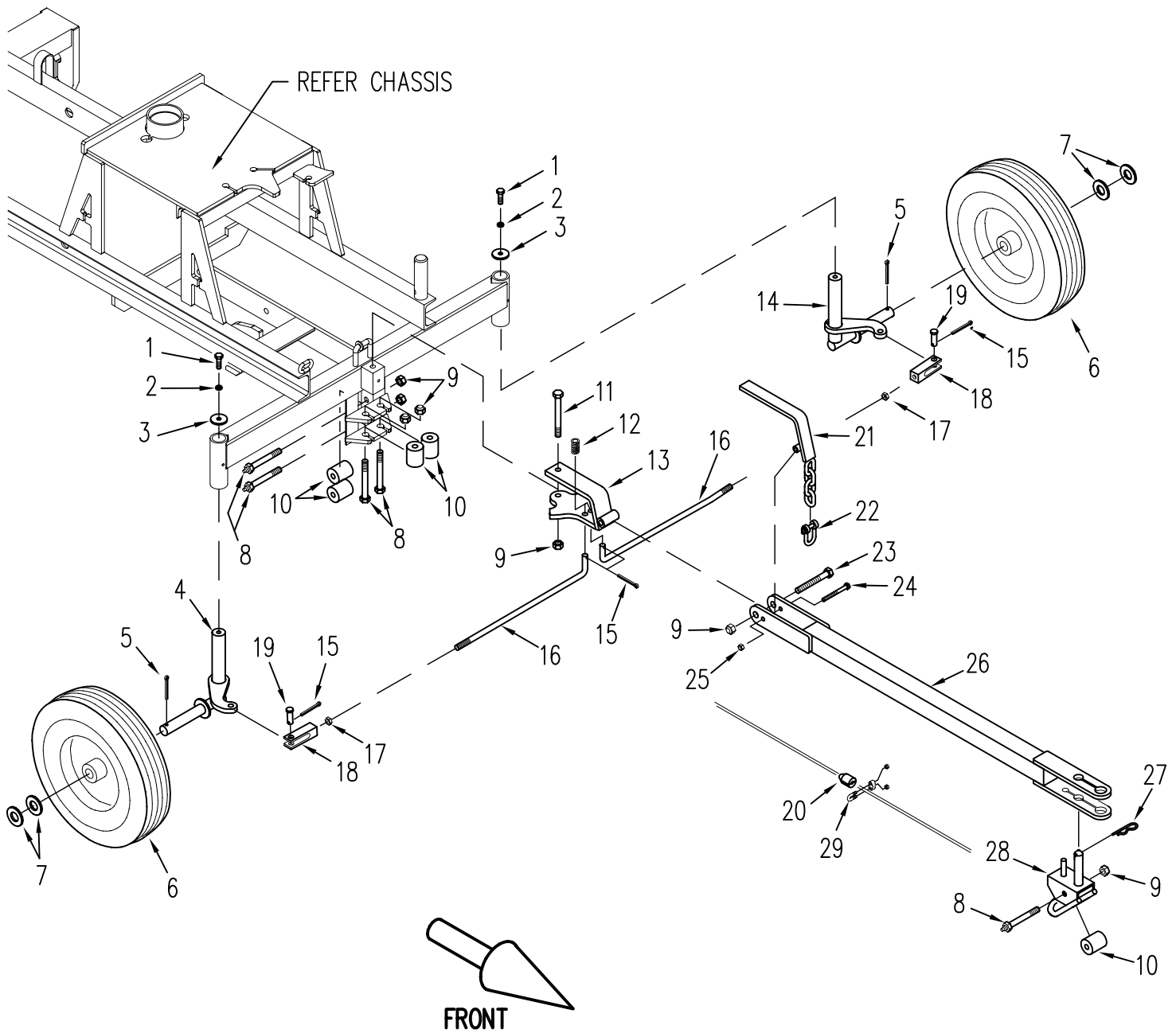
MODEL : A

SERIAL No. :

PART No. : 17422

DATE : 13JULY2005

AXLE ASSEMBLY FRONT





TRAILCO TRAVELLER

PARTS LIST

T 200-2

MODEL A

SERIAL No's :

SECTION : AXLE ASSEMBLY FRONT		PART No. : 17422		11-Oct-07
KEY	DESCRIPTION	PART No.	QTY	DWG No.
1	BOLT 1" X 3/8" BSW ZP	BN123	2	
2	WASHER SPRING 10MM ZP	BN358	2	
3	WASHER FLAT 47 X 11 X 5MM ZP	23	2	
4	FRONT STUB ASSEMBLY R/H	626	1	
5	PIN SPLIT STEEL 6.3MM X 40MM ZP	BP131	2	
6	WHEEL TYRE & TUBE ASSEMBLY	300	2	
7	WASHER FLAT 1" BRT ZP	BW144	4	
8	ROLLER BOLT	172	5	
9	NUT NYLOC 1/2" BSW	BN139	7	
10	CABLE GUIDE ROLLER	64	5	
11	STEERING PIVOT BOLT	182	1	
12	SPRING	BX55	2	
13	STEERING PIVOT	617	1	
14	FRONT STUB ASSEMBLY L/H	627	1	
15	PIN SPLIT STEEL 3.2MM X 32MM ZP	BP133	4	
16	STEERING ROD	608	2	
17	NUT 1/2" STD UNF ZP	BN119	2	
18	CLEVIS YOKE	61	2	
19	CLEVIS PIN	113	2	
20	CABLE BULLET	295	1	
21	TRIP LEVER	612	1	
22	SHACKLE "D" 3/8" X 3/8"	B616	1	
23	DRAWBAR PIVOT BOLT	171	1	
24	BOLT 3/2" X 3/8" BSW ZP	BN231	1	
25	NUT CONELOCK 3/8" BSW ZP	BN138	1	
26	DRAWBAR	614	1	
27	CLIP SPRING	B107	1	
28	SKID ROLLER BRACKET	609	1	
29	CABLE CLAMP	B91	1	

PLEASE QUOTE **MODEL** AND **SERIAL NUMBER** OF IRRIGATOR WHEN ORDERING PARTS

Trailco Irrigation (Aust.) Phone: (07) 3260 1828 Fax: (07) 3260 1877

TRAILCO TRAVELLER T 200-2

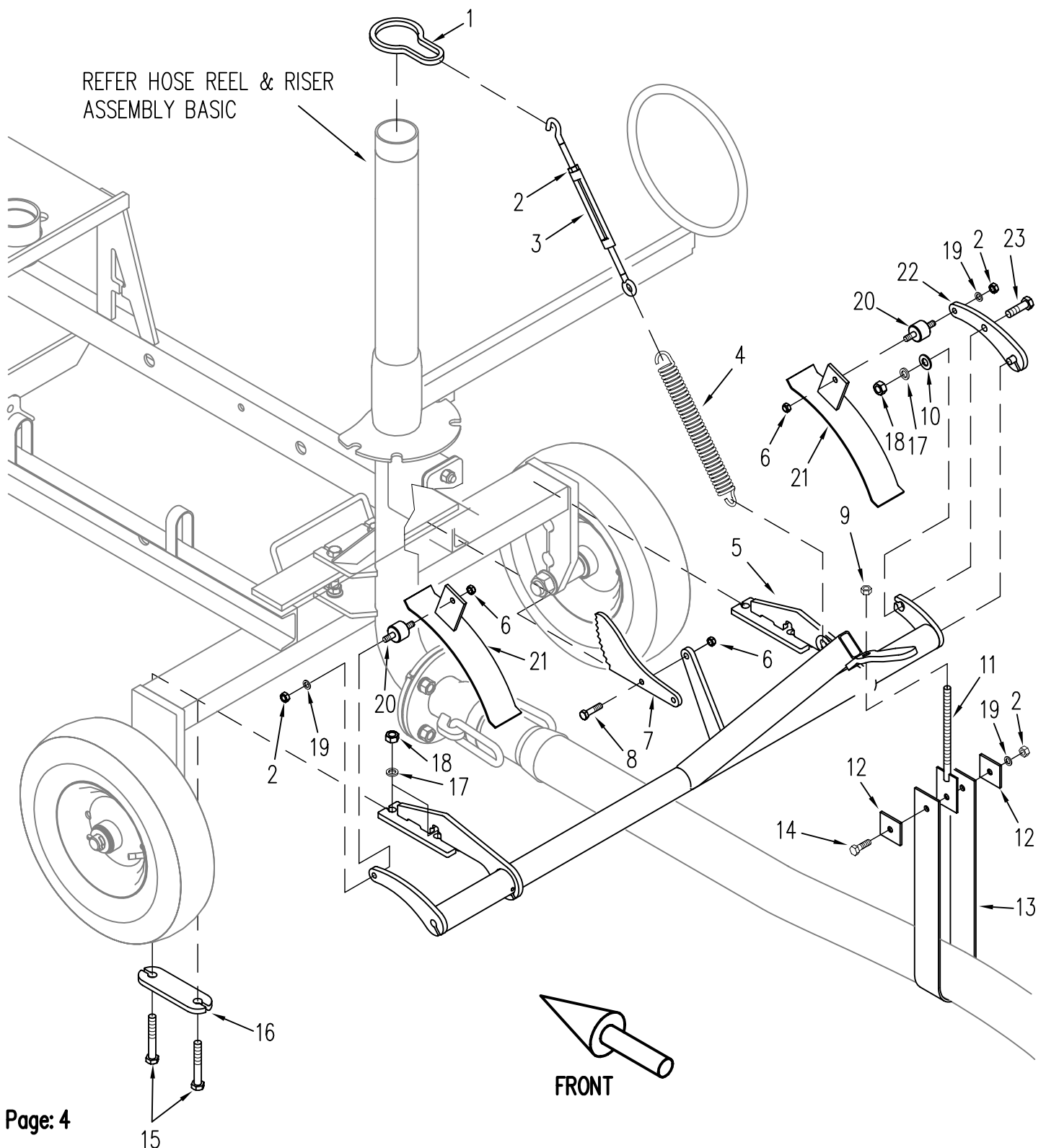
MODEL : "A"

SERIAL No. :

PART No. : 9455

DATE : 19JUL2000

BRAKE KIT - 8" REAR WHEELS





TRAILCO TRAVELLER

PARTS LIST

T 200-2

MODEL A

SERIAL No's :

SECTION : BRAKE KIT - 8" REAR WHEELS		PART No. : 9455		11-Oct-07
KEY	DESCRIPTION	PART No.	QTY	DWG No.
1	SPRING RETAINER	17486	1	
2	NUT 3/8" BSW ZP	BN146	4	
3	TURNBUCKLE	B399	1	
4	SPRING	BX297	1	
5	BRAKE PIPE ASSEMBLY	574	1	
6	NUT CONELOCK 3/8" BSW ZP	BN138	3	
7	BRAKE ADJUSTER	567	1	
8	BOLT 1½" X 3/8" BSW ZP	BN124	1	
9	NUT NYLOC ½" BSW	BN139	1	
10	WASHER FLAT ½" ZP	BW135	1	
11	ADJUSTING ROD	560	1	
12	CLAMP PLATE	561	2	
13	HOSE CARRIER	17485	1	
14	BOLT 1" X 3/8" BSW ZP	BN123	1	
15	BOLT 3½" X ½" BSW ZP	BN112	4	
16	CLAMP PLATE	15104	2	
17	WASHER SPRING ½" ZP	BW118	5	
18	NUT ½" BSW ZP	BN117	5	
19	WASHER SPRING 10MM ZP	BN358	2	
20	BRAKE PAD SPACER	17481	2	
21	BRAKE SHOE	566	2	
22	BRAKE PAD ARM	563	1	
23	BOLT 1¼" X ½" HEX BSW ZP	BN116	1	

PLEASE QUOTE **MODEL** AND **SERIAL NUMBER** OF IRRIGATOR WHEN ORDERING PARTS

Trailco Irrigation (Aust.) Phone: (07) 3260 1828 Fax: (07) 3260 1877

TRAILCO TRAVELLER T 200-2

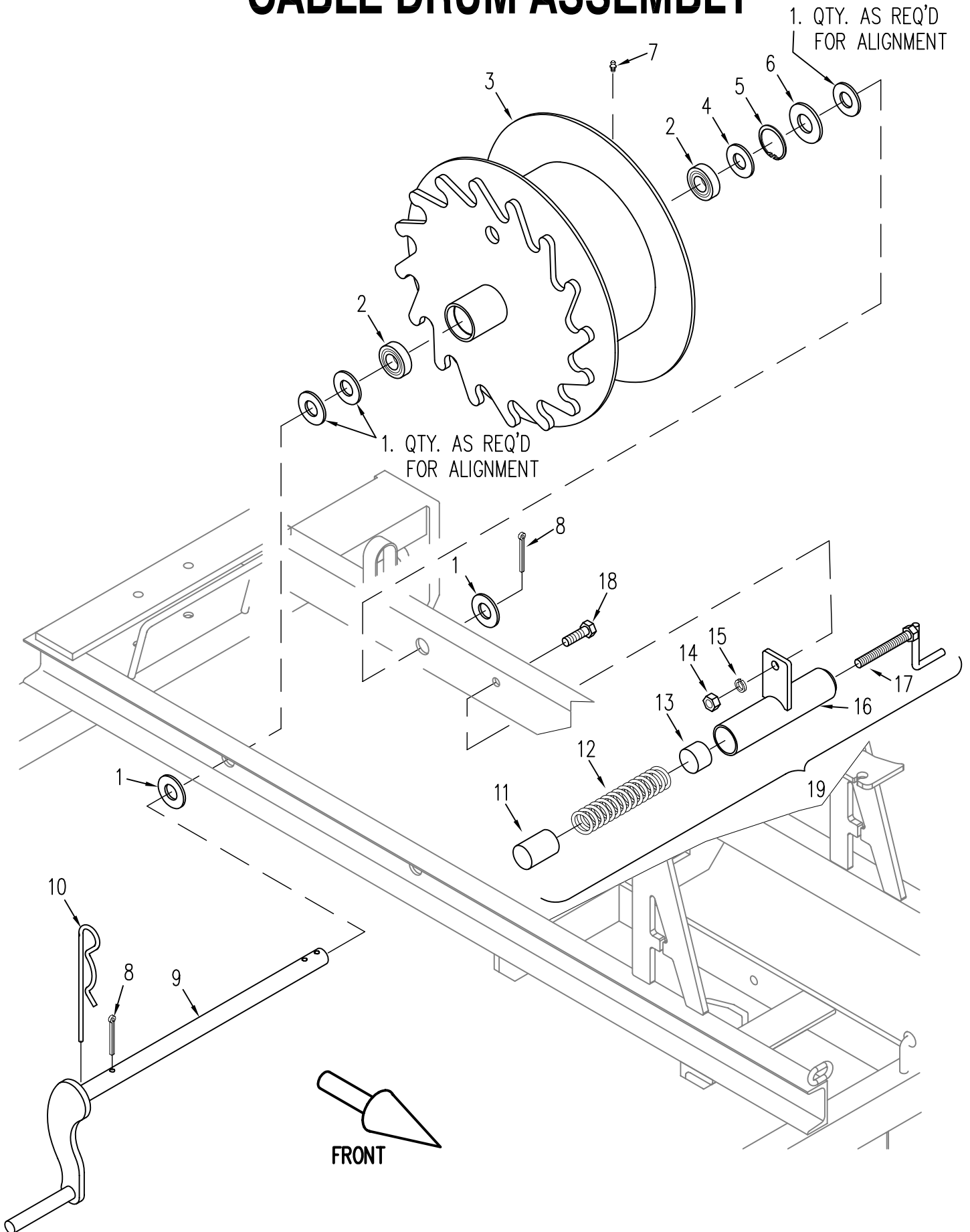
MODEL : A

SERIAL No. :

PART No. : 17427

DATE : 13JULY2005

CABLE DRUM ASSEMBLY





TRAILCO TRAVELLER

PARTS LIST

T 200-2

MODEL A

SERIAL No's :

SECTION : CABLE DRUM ASSEMBLY		PART No. : 17427		11-Oct-07
KEY	DESCRIPTION	PART No.	QTY	DWG No.
1	WASHER FLAT 1" BRT ZP	BW144	5	
2	BEARING SEALED	BB170B	2	
3	CABLE DRUM T200-T150 GAL	808	1	
4	WASHER FLAT 2"X1 1/16"X14G	BW212	1	
5	BEARING CIRCLIP (GEAR BOX CE)	BB170F	1	
6	WASHER FLAT 2 1/2"X1"X14G	BW272	1	
7	NIPPLE GREASE 1/4"UNF STRAIGHT	B106	1	
8	PIN SPLIT STEEL 6.3MMX40MM ZP	BP131	2	
9	CABLE DRUM RWND HNDL T200 ZP	668	1	
10	CLIP SPRING SPECIAL 6MM DIA	209	1	
11	NYLON BLOCK BRAKE	B263	1	
12	SPRING COMPRESSION 4"	BX237	1	
13	BRAKE BLOCK 1" ZP	951	1	
14	NUT 1/2" HEX WHIT ZP	BN117	1	
15	WASHER SPRING 1/2" ZP	BW118	1	
16	CABLE DRUM BRAKE BODY T150 ZP	5931	1	
17	CABLE DRUM BRAKE HANDLE ZP	950	1	
18	BOLT 1 1/4"X1/2" HEX WHIT ZP	BN115	1	
19	CABLE DRUM BRAKE ASSY T150-300	593	1	

PLEASE QUOTE **MODEL** AND **SERIAL NUMBER** OF IRRIGATOR WHEN ORDERING PARTS

Trailco Irrigation (Aust.) Phone: (07) 3260 1828 Fax: (07) 3260 1877

TRAILCO TRAVELLER

T 200-2

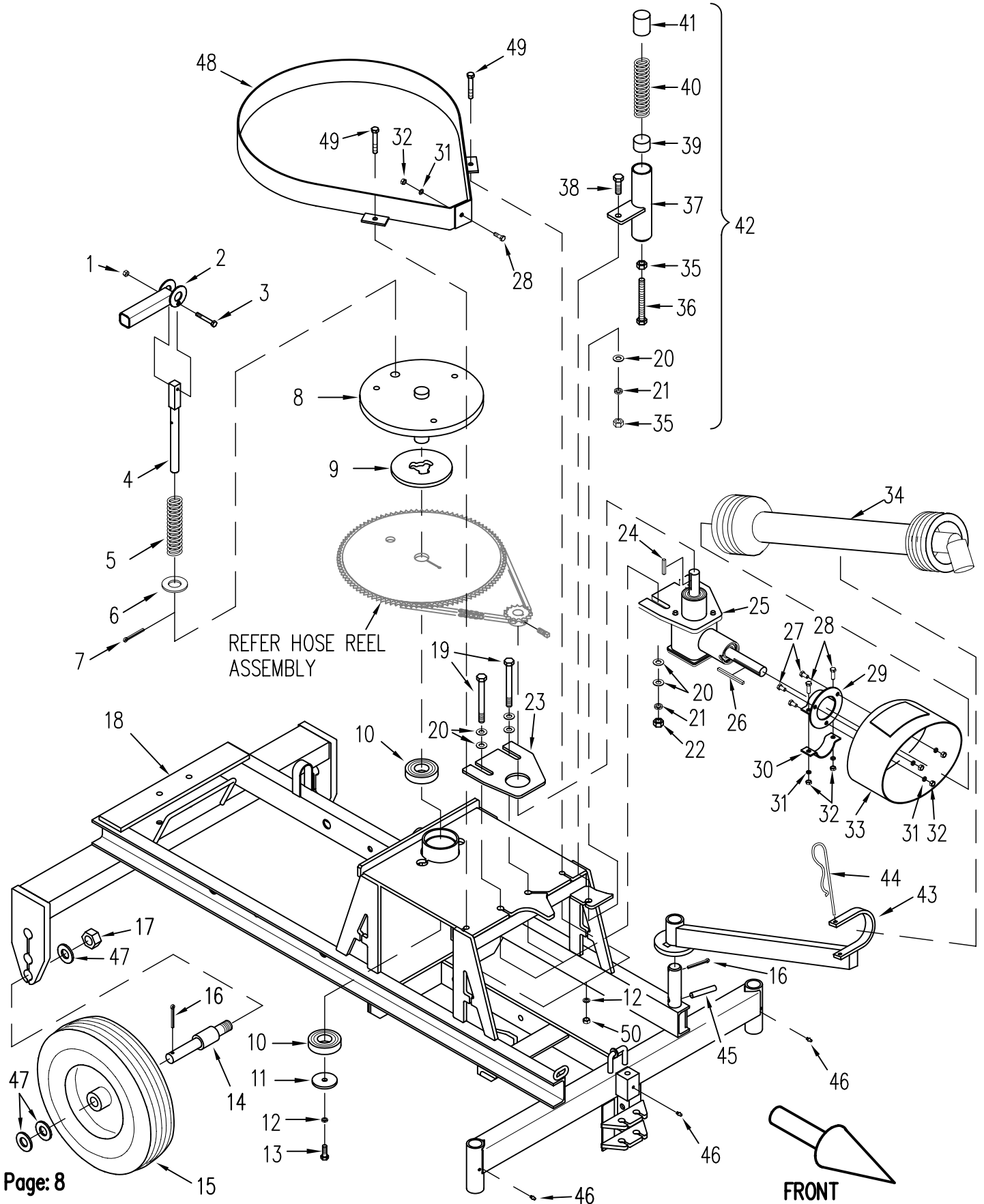
MODEL : A

SERIAL No. :

PART No. : 17431

DATE : 19JUL2000

CHASSIS ASSEMBLY





TRAILCO TRAVELLER

PARTS LIST

T 200-2

MODEL A

SERIAL No's :

SECTION : CHASSIS ASSEMBLY		PART No. : 17431	11-Oct-07	
KEY	DESCRIPTION	PART No.	QTY	DWG No.
1	NUT NYLOC ¼" BSW ZP	BN142	1	
2	CLUTCH PIN HANDLE (SMALL) ZP	210	1	
3	BOLT 1¾" X ¼" BSW ZP	BN122	1	
4	CLUTCH PIN	211	1	
5	SPRING	BX31	1	
6	WASHER FLAT 20MM X 2MM ZP	BW154	1	
7	PIN SPLIT 4MM X 40MM ZP	BP132	1	
8	SPOOL FLANGE	748	1	
9	SPACER	331	1	
10	BEARING	BB24	2	
11	WASHER	23	1	
12	WASHER SPRING 10MM ZP	BN358	3	
13	BOLT 1" X 3/8" BSW ZP	BN123	1	
14	STUB AXLE	624	2	
15	WHEEL, TYRE & TUBE ASSEMBLY	300	2	
16	PIN SPLIT STEEL 6.3MM X 40MM ZP	BP131	3	
17	NUT	197	2	
18	CHASSIS	9199	1	
19	BOLT 4" X ½" HT UNF ZP	BN190	2	
20	WASHER FLAT ½" ZP	BW135	8	
21	WASHER SPRING ½" ZP	BW118	2	
22	NUT ½" STD UNF ZP	BN119	2	
23	GEARBOX SUPPORT PLATE	170N	1	
24	KEY 6MM SQ X 45MM	18176	1	
25	GEARBOX 90 DEGREE TYPE 1	767	1	
26	KEY 6MM SQ X 85MM	18177	1	
27	BOLT M8 X 16mm ZP	16329	3	
28	BOLT M8 X 25mm ZP	11350	3	
29	COVER BRACKET - PTO SHAFT	18026	1	
30	COVER BRACKET - PTO SHAFT - CLAMP	18028	1	
31	WASHER SPRING 5/16"	BW126	6	
32	NUT M8 HEX ZP	16143	6	
33	PTO SHAFT COVER - PLASTIC	17498	1	
34	PTO SHAFT	B169	1	
35	NUT ½" BSW ZP	BN117	2	
36	SET SCREW 4" X ½" BSW ZP	BN184	1	
37	BRAKE BODY	5931	1	
38	BOLT 1¼" X ½" BSW ZP	BN115	1	
39	BRAKE BLOCK	951	1	
40	SPRING	BX237	1	
41	NYLON BLOCK	B263	1	
42	HOSE REEL BRAKE ASSEMBLY	15857	1	
43	PTO CARRIER ARM	18071	1	
44	CLIP SPRING	209	1	
45	SELLOC PIN 2" X ½"	B310	1	
46	NIPPLE GREASE ¼" UNF STRAIGHT	B106	3	
47	WASHER FLAT 1" BRT ZP	BW144	6	
48	SAFETY COVER	14640	1	
49	BOLT M10 X 65mm ZP	BN356	2	
50	NUT M10 ZP	16053	2	

PLEASE QUOTE **MODEL** AND **SERIAL NUMBER** OF IRRIGATOR WHEN ORDERING PARTS

Trailco Irrigation (Aust.) Phone: (07) 3260 1828 Fax: (07) 3260 1877

TRAILCO TRAVELLER T 200-2

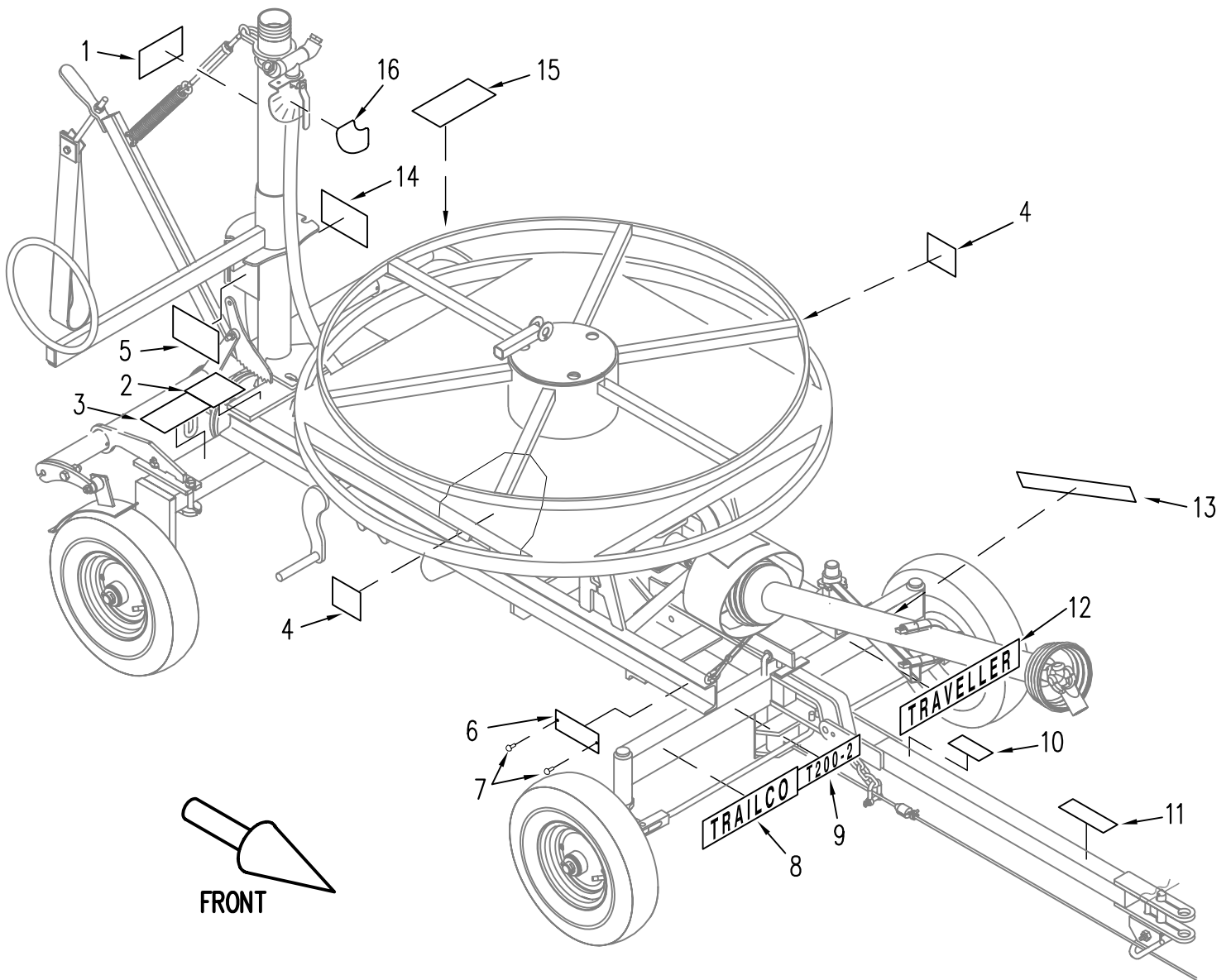
MODEL : A

SERIAL No. :

PART No. : 17432

DATE : 10APR2003

DECAL KIT





TRAILCO TRAVELLER

PARTS LIST

T 200-2

MODEL A

SERIAL No's :

SECTION : DECAL KIT		PART No. : 17432		11-Oct-07
KEY	DESCRIPTION	PART No.	QTY	DWG No.
1	STICKER - TRAILCO LOGO MEDIUM	AT25	1	
2	STICKER - "NOTICE! - WHEN STARTING..."	AT5	1	
3	STICKER - "THIS MACHINE OPERATES..."	AT6	1	
4	STICKER - "KEEP CLEAR OF MOVING PARTS"	AT3	2	
5	STICKER - CHASSIS LUBRICATION	AT31	1	
6	STICKER - MODEL/SERIAL No. PLATE	AT1	1	
7	POP RIVET	B39	2	
8	STICKER - "TRAILCO"	AT11	1	
9	STICKER - "T200-2"	AT34	1	
10	STICKER - "STAY CLEAR OF MACHINE..."	AT9	1	
11	STICKER - "TOWING SPEED LIMIT 10kph"	AT64	1	
12	STICKER - "TRAVELLER"	AT12	1	
13	STICKER - "CAUTION REMAIN ON TRACTOR..."	AT62	1	
14	STICKER - VALVE TRAIN LUBRICATION	AT32	1	
15	STICKER - "CAUTION - DO NOT PULL HOSE..."	AT7	1	
16	STICKER - "VALVE PLATE INDICATOR..."	AT24	1	

PLEASE QUOTE **MODEL** AND **SERIAL NUMBER** OF IRRIGATOR WHEN ORDERING PARTS

Trailco Irrigation (Aust.) Phone: (07) 3260 1828 Fax: (07) 3260 1877

TRAILCO TRAVELLER

T 200-2

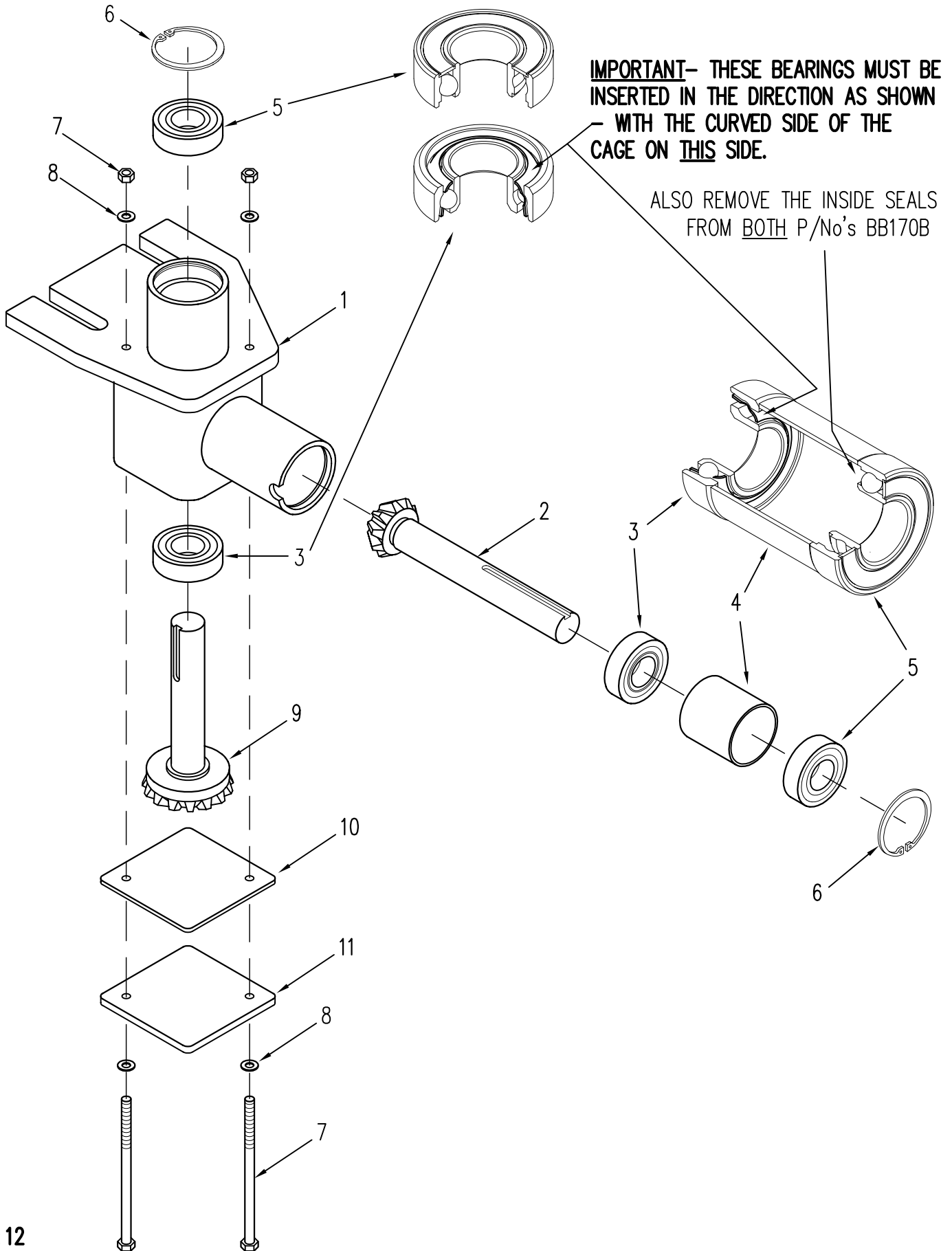
MODEL : A

SERIAL No. :

PART No. : 767

DATE : 3NOV2005

GEARBOX 90° TYPE 1





TRAILCO TRAVELLER

PARTS LIST

T 200-2

MODEL A

SERIAL No's :

SECTION : GEARBOX 90° TYPE 1		PART No. : 767		11-Oct-07
KEY	DESCRIPTION	PART No.	QTY	DWG No.
1	GEARBOX HOUSING	767A	1	
2	INPUT SHAFT & GEAR	772	1	
3	BEARING THRUST	BB170A	2	
4	SPACER TUBE	771	1	
5	BEARING SEALED	BB170B	2	
6	CIRCLIP	BB170F	2	
7	BOLT M6 X 130MM HEX ZP	BN170J	2	
8	WASHER COPPER ¼"	BW100K	4	
9	OUTPUT SHAFT & GEAR	774	1	
10	GASKET	B170K	1	
11	COVER PLATE	761	1	

PLEASE QUOTE **MODEL** AND **SERIAL NUMBER** OF IRRIGATOR WHEN ORDERING PARTS

Trailco Irrigation (Aust.) Phone: (07) 3260 1828 Fax: (07) 3260 1877

TRAILCO TRAVELLER T 200-2

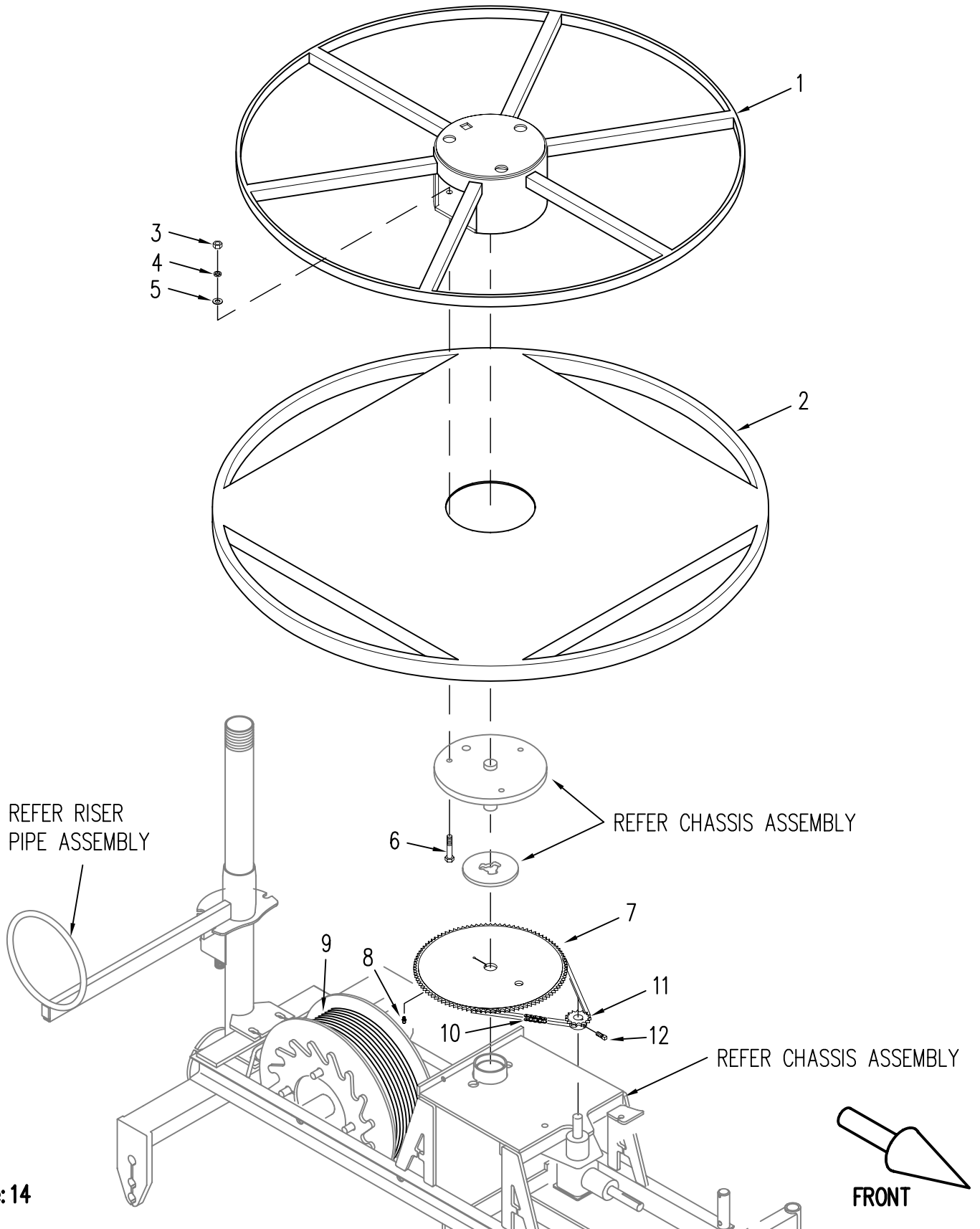
MODEL : A

SERIAL No. :

PART No. : 17103

DATE : 2NOV2005

HOSE REEL - CONFIG 2.5" X 100M HOSE





TRAILCO TRAVELLER

PARTS LIST

T 200-2

MODEL A

SERIAL No's :

SECTION : HOSE REEL - CONFIG 2½" X 100M HOSE		PART No. : 17103		11-Oct-07
KEY	DESCRIPTION	PART No.	QTY	DWG No.
1	HOSE REEL TOP	248	1	
2	HOSE REEL BASE	243	1	
3	NUT ½" BSW ZP	BN117	3	
4	WASHER SPRING ½" ZP	BW118	3	
5	WASHER FLAT ½" ZP	BW135	3	
6	BOLT 2½" X ½" BSW ZP	BN179	3	
7	SPROCKET	228	1	
8	NIPPLE GREASE ¼" UNF	B106	1	
9	CABLE	B232	1	
10	CHAIN	BS226	1	
11	SPROCKET	BS170D	1	
12	SET SCREW 5/16" SOC/HD BSW ZP	BN434	1	

PLEASE QUOTE **MODEL** AND **SERIAL NUMBER** OF IRRIGATOR WHEN ORDERING PARTS

Trailco Irrigation (Aust.) Phone: (07) 3260 1828 Fax: (07) 3260 1877

TRAILCO TRAVELLER T 200-2

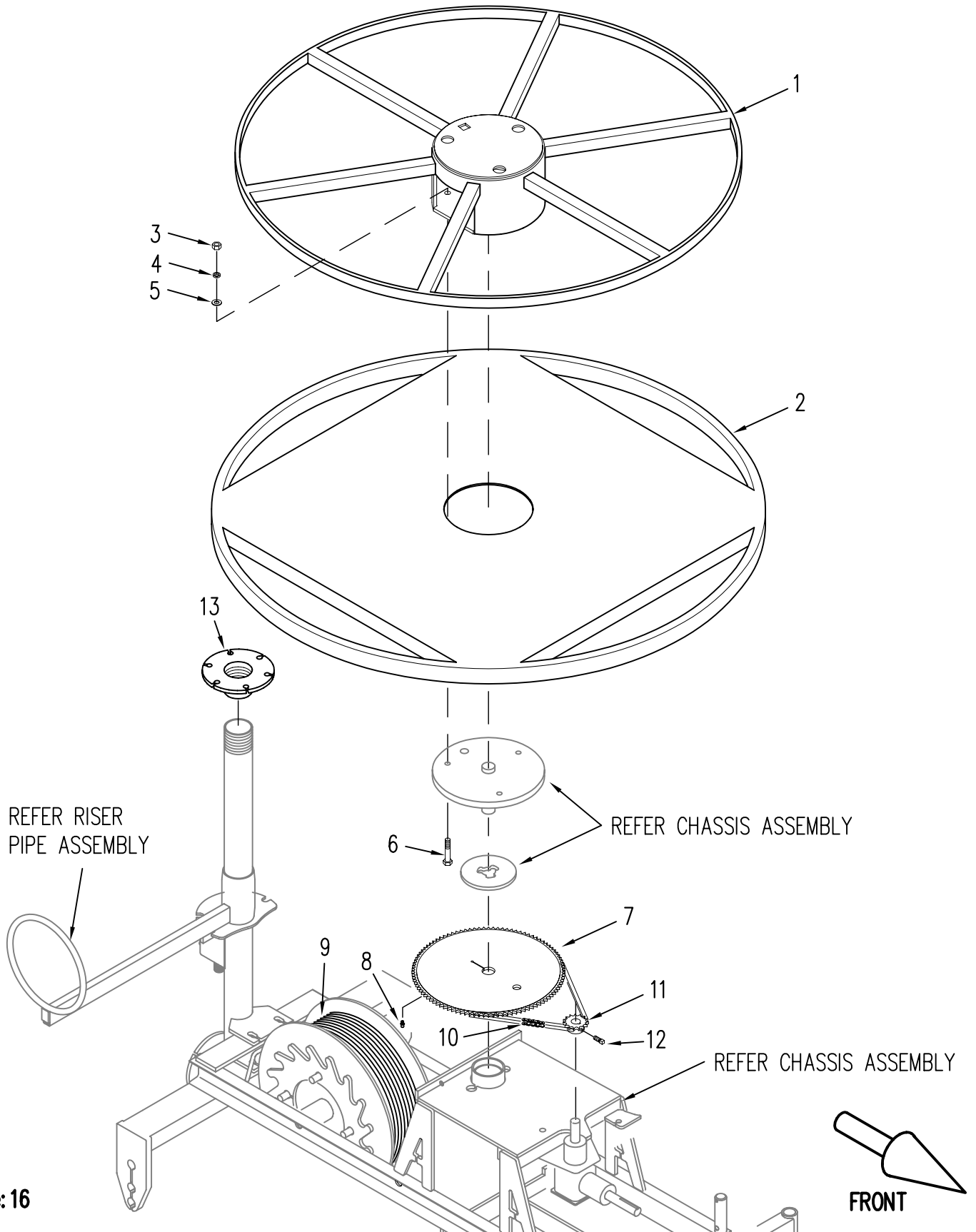
MODEL : A

SERIAL No. :

PART No. : 17104

DATE : 2NOV2005

HOSE REEL - CONFIG 3" X 100M HOSE





TRAILCO TRAVELLER

PARTS LIST

T 200-2

MODEL A

SERIAL No's :

SECTION : HOSE REEL - CONFIG 3" X 100M HOSE		PART No. : 17104		11-Oct-07
KEY	DESCRIPTION	PART No.	QTY	DWG No.
1	HOSE REEL TOP	248	1	
2	HOSE REEL BASE	241	1	
3	NUT 1/2" BSW ZP	BN117	3	
4	WASHER SPRING 1/2" ZP	BW118	3	
5	WASHER FLAT 1/2" ZP	BW135	3	
6	BOLT 2 1/2" X 1/2" BSW ZP	BN179	3	
7	SPROCKET	228	1	
8	NIPPLE GREASE 1/4" UNF	B106	1	
9	CABLE	B232	1	
10	CHAIN	BS226	1	
11	SPROCKET	BS170D	1	
12	SET SCREW 5/16" SOC/HD BSW ZP	BN434	1	
13	FLANGE	249	1	

PLEASE QUOTE **MODEL** AND **SERIAL NUMBER** OF IRRIGATOR WHEN ORDERING PARTS

Trailco Irrigation (Aust.) Phone: (07) 3260 1828 Fax: (07) 3260 1877

TRAILCO TRAVELLER T 200-2

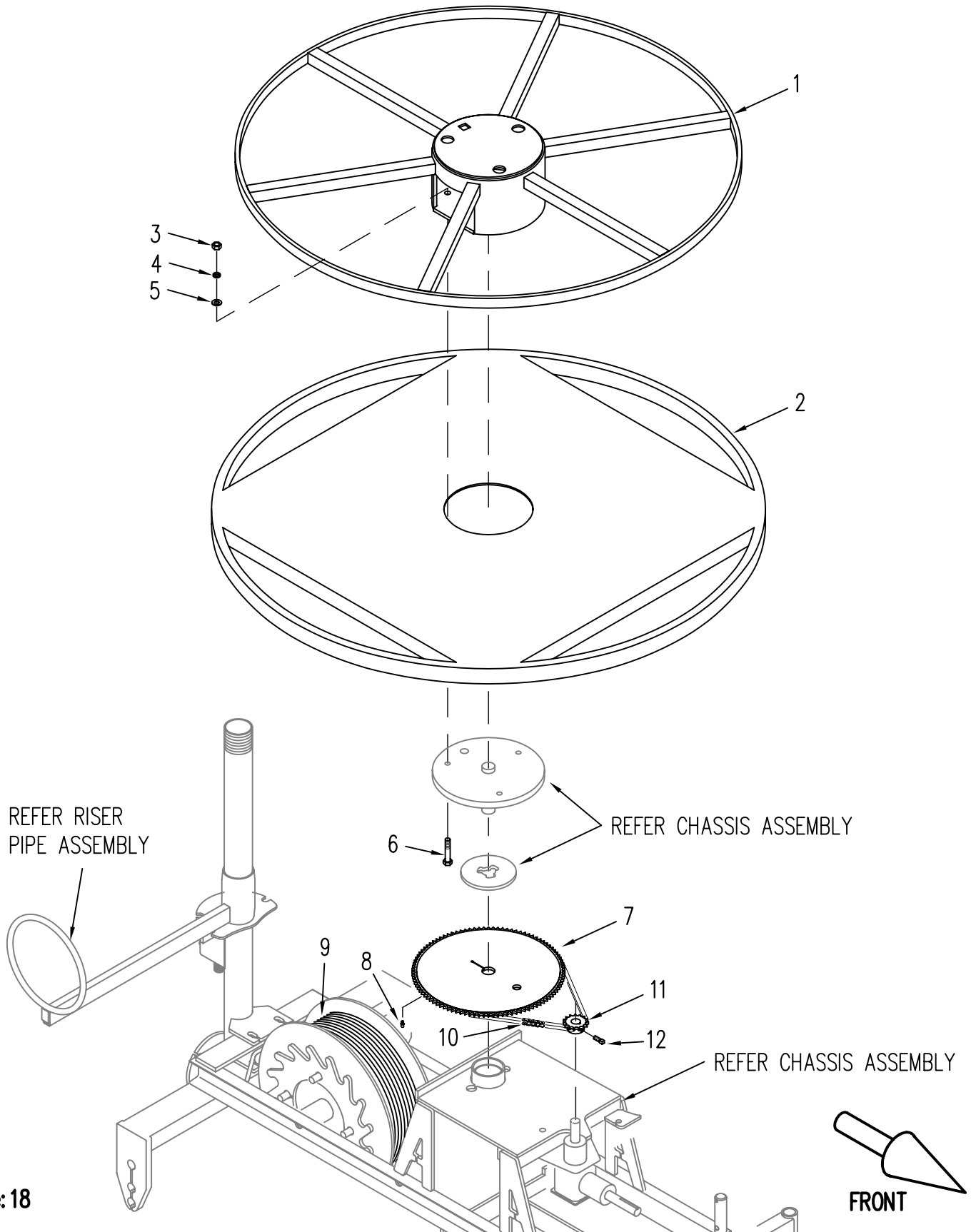
MODEL : A

SERIAL No. :

PART No. : 17436

DATE : 19JUL2000

HOSE REEL - CONFIG 2.5" X 150M HOSE





TRAILCO TRAVELLER

PARTS LIST

T 200-2

MODEL A

SERIAL No's :

SECTION : HOSE REEL - CONFIG 2½" X 150M HOSE		PART No. : 17436		12-Oct-07
KEY	DESCRIPTION	PART No.	QTY	DWG No.
1	HOSE REEL TOP	248	1	
2	HOSE REEL BASE	241	1	
3	NUT ½" BSW ZP	BN117	3	
4	WASHER SPRING ½" ZP	BW118	3	
5	WASHER FLAT ½" ZP	BW135	3	
6	BOLT 2½" X ½" BSW ZP	BN179	3	
7	SPROCKET	228	1	
8	NIPPLE GREASE ¼" UNF	B106	1	
9	CABLE	B303	1	
10	CHAIN	BS226	1	
11	SPROCKET	BS170D	1	
12	SET SCREW 5/16" SOC/HD BSW ZP	BN434	1	

PLEASE QUOTE **MODEL** AND **SERIAL NUMBER** OF IRRIGATOR WHEN ORDERING PARTS

Trailco Irrigation (Aust.) Phone: (07) 3260 1828 Fax: (07) 3260 1877

TRAILCO TRAVELLER T 200-2

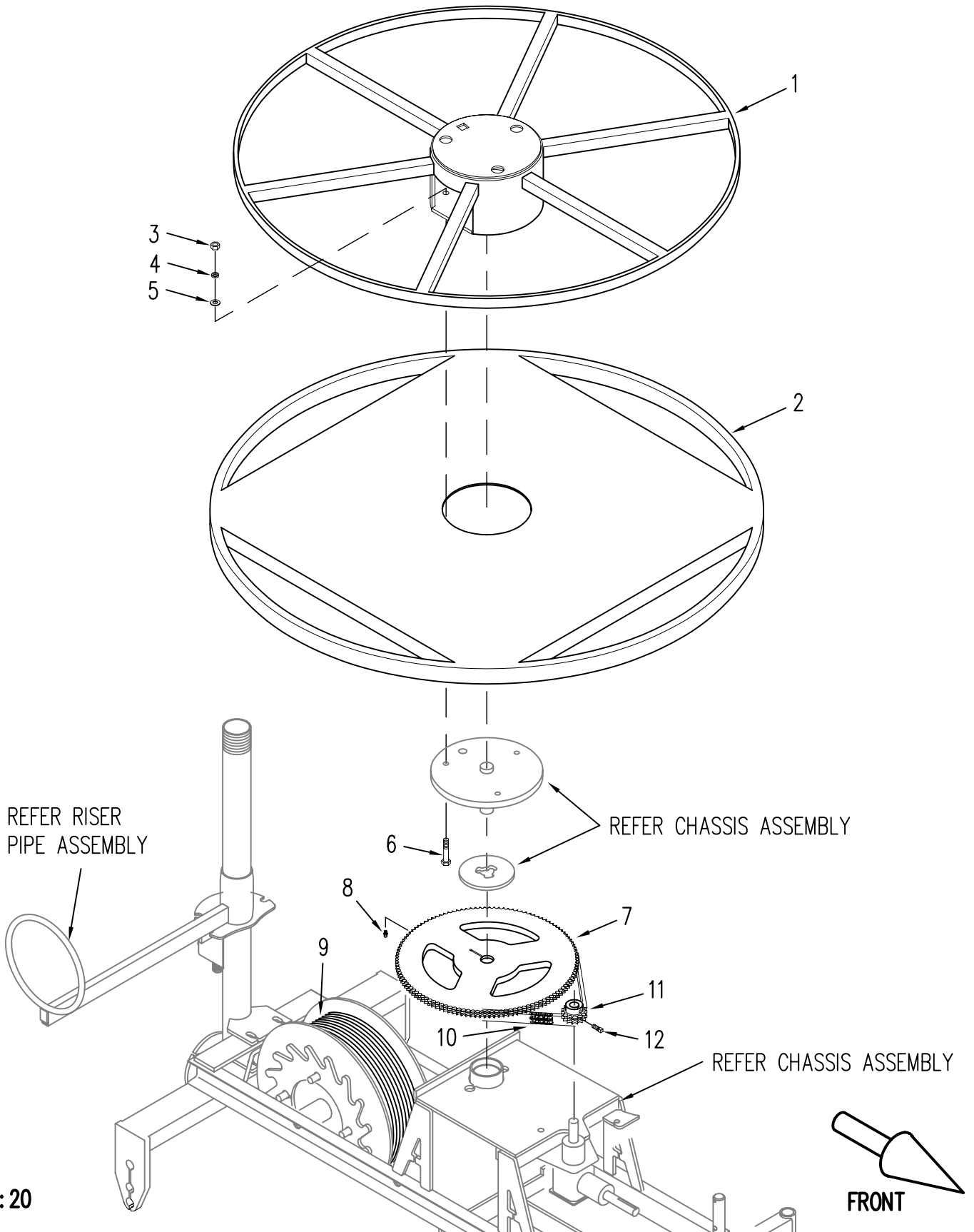
MODEL : A

SERIAL No. :

PART No. : 17107

DATE : 2NOV2005

HOSE REEL - CONFIG 2.5" X 200M HOSE





TRAILCO TRAVELLER

PARTS LIST

T 200-2

MODEL A

SERIAL No's :

SECTION : HOSE REEL - CONFIG 2½" X 200M HOSE		PART No. : 17107		11-Oct-07
KEY	DESCRIPTION	PART No.	QTY	DWG No.
1	HOSE REEL TOP	17080	1	
2	HOSE REEL BASE	241	1	
3	NUT ½" BSW ZP	BN117	3	
4	WASHER SPRING ½" ZP	BW118	3	
5	WASHER FLAT ½" ZP	BW135	3	
6	BOLT 2½" X ½" BSW ZP	BN179	3	
7	SPROCKET	285	1	
8	NIPPLE GREASE ¼" UNF	B106	1	
9	CABLE	B232A	1	
10	CHAIN	BS287	1	
11	SPROCKET	BS286	1	
12	SET SCREW 5/16" SOC/HD BSW ZP	BN434	1	

PLEASE QUOTE **MODEL** AND **SERIAL NUMBER** OF IRRIGATOR WHEN ORDERING PARTS

Trailco Irrigation (Aust.) Phone: (07) 3260 1828 Fax: (07) 3260 1877

TRAILCO TRAVELLER

T 200-2

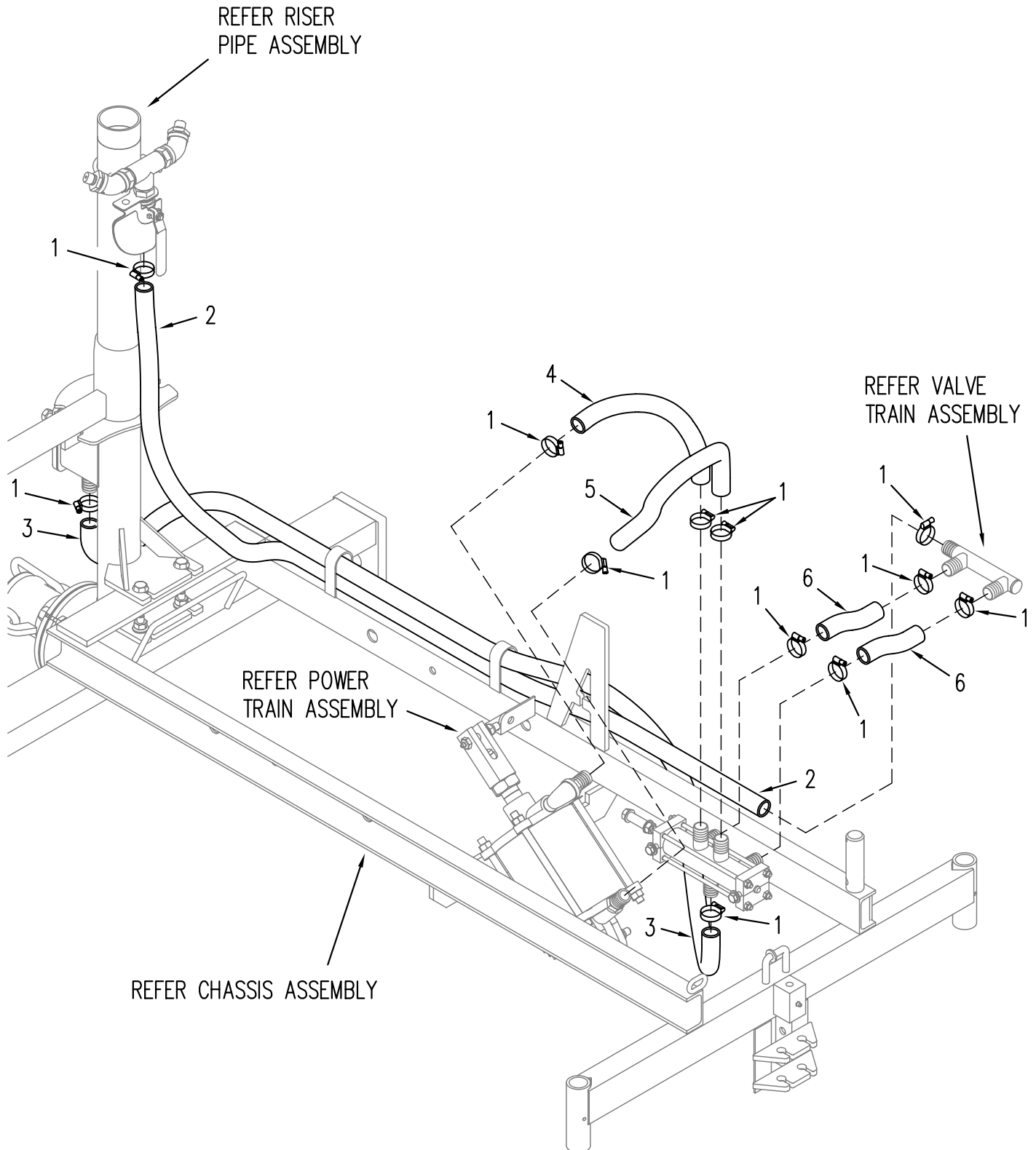
MODEL : A

SERIAL No. :

PART No. :

DATE : 12OCT2007

HOSE LAYOUT





TRAILCO TRAVELLER

PARTS LIST

T 200-2

MODEL A

SERIAL No's :

SECTION : HOSE LAYOUT		PART No. : TBA	
		15-Oct-07	
KEY	DESCRIPTION	PART No.	QTY
1	HOSE CLIP 1" HOSE SS	BH59	12
2	HOSE 1" - EXHAUST MANIFOLD TO EXHAUST		2060mm
3	HOSE 1" - INLET TO VALVE		1880mm
4	HOSE 1" - RAM TOP TO VALVE		410mm
5	HOSE 1" - RAM BOTTOM TO VALVE		560mm
6	HOSE 1" - VALVE TO EXHAUST MANIFOLD		150mm
ALL HOSE IS 1" TYPE "S" YELLOW			

PLEASE QUOTE **MODEL** AND **SERIAL NUMBER** OF IRRIGATOR WHEN ORDERING PARTS

Trailco Irrigation (Aust.) Phone: (07) 3260 1828 Fax: (07) 3260 1877

TRAILCO TRAVELLER T 200-2

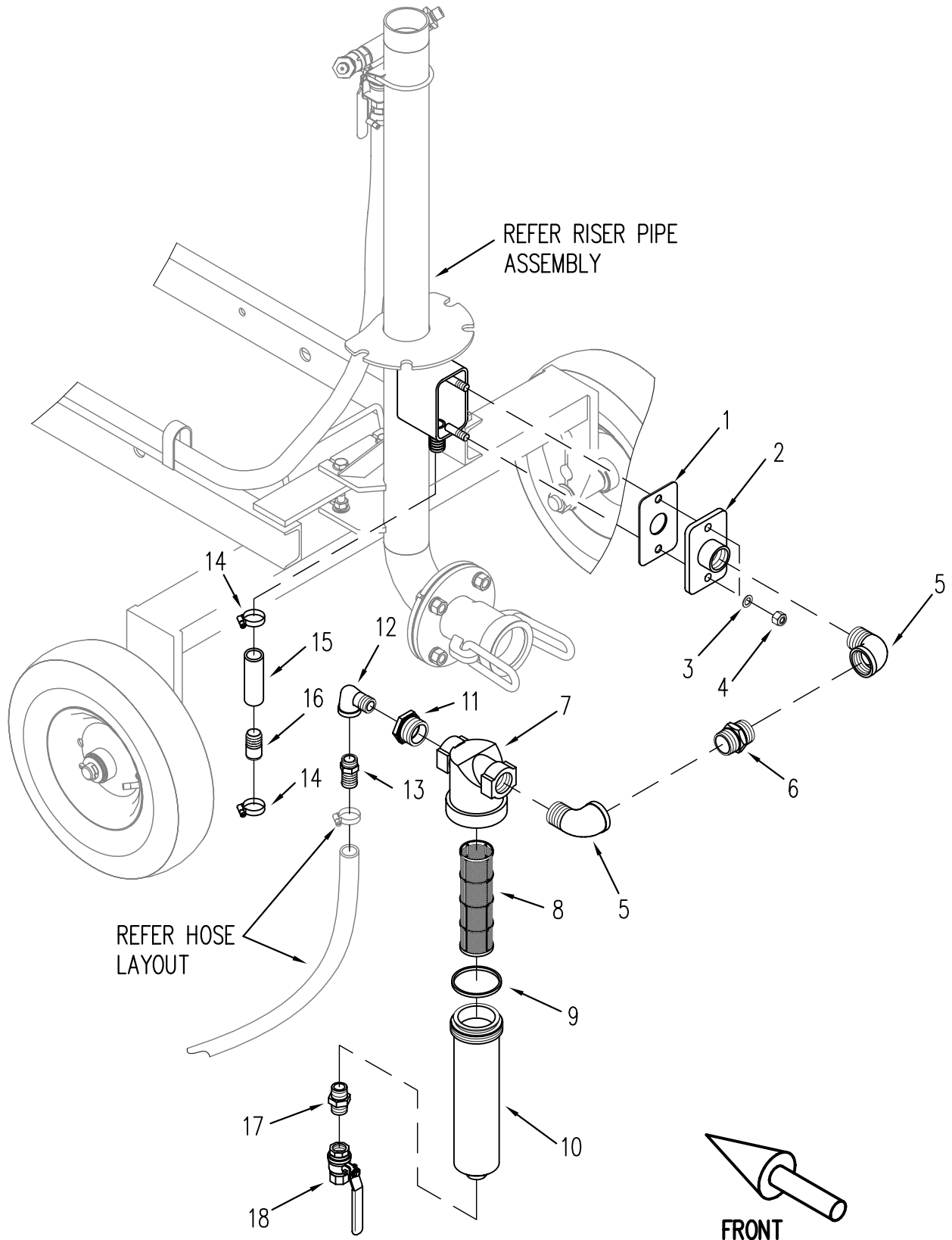
MODEL : A

SERIAL No. :

PART No. : 17437

DATE :

INLINE FILTER OPTION





TRAILCO TRAVELLER

PARTS LIST

T 200-2

MODEL A

SERIAL No's :

SECTION: INLINE FILTER OPTION		PART No. : 17437		11-Oct-07
KEY	DESCRIPTION	PART No.	QTY	DWG No.
1	GASKET INLINE FILTER BOX COVER	990	1	
2	FILTER BOX COVER PL INLINE ZP	973	1	
3	WASHER COPPER 1/2"x7/8"x1/32"	BW67	2	
4	NUT NYLOC 1/2" BSW	BN139	2	
5	ELBOW 1 1/4"90D M&F GAL MAL	BF314	2	
6	NIPPLE HEX 1 1/4" GAL MAL	BF319	1	
7	FILTER CAP	BF823	1	
8	SCREEN	17034	1	
9	SEAL	17035	1	
10	FILTER BOWL INLINE LONG ZP	9961	1	
11	BUSH RED 1 1/4" X 3/4" GAL MAL	BF424	1	
12	ELBOW 3/4" 90D M&F GAL MAL	BF41E	1	
13	HOSE TAIL 3/4" BRASS BARBED	65	1	
14	HOSE CLIP 1" HOSE SS	BH59	2	
15	HOSE 1" TYPE "S" YELLOW	BH102	100mm	
16	PLUG	18178	1	
17	NIPPLE HEX 3/4" GAL MAL	BF41B	1	
18	VALVE BALL 20mm	BF40	1	

PLEASE QUOTE **MODEL** AND **SERIAL NUMBER** OF IRRIGATOR WHEN ORDERING PARTS

Trailco Irrigation (Aust.) Phone: (07) 3260 1828 Fax: (07) 3260 1877

TRAILCO TRAVELLER T 200-2

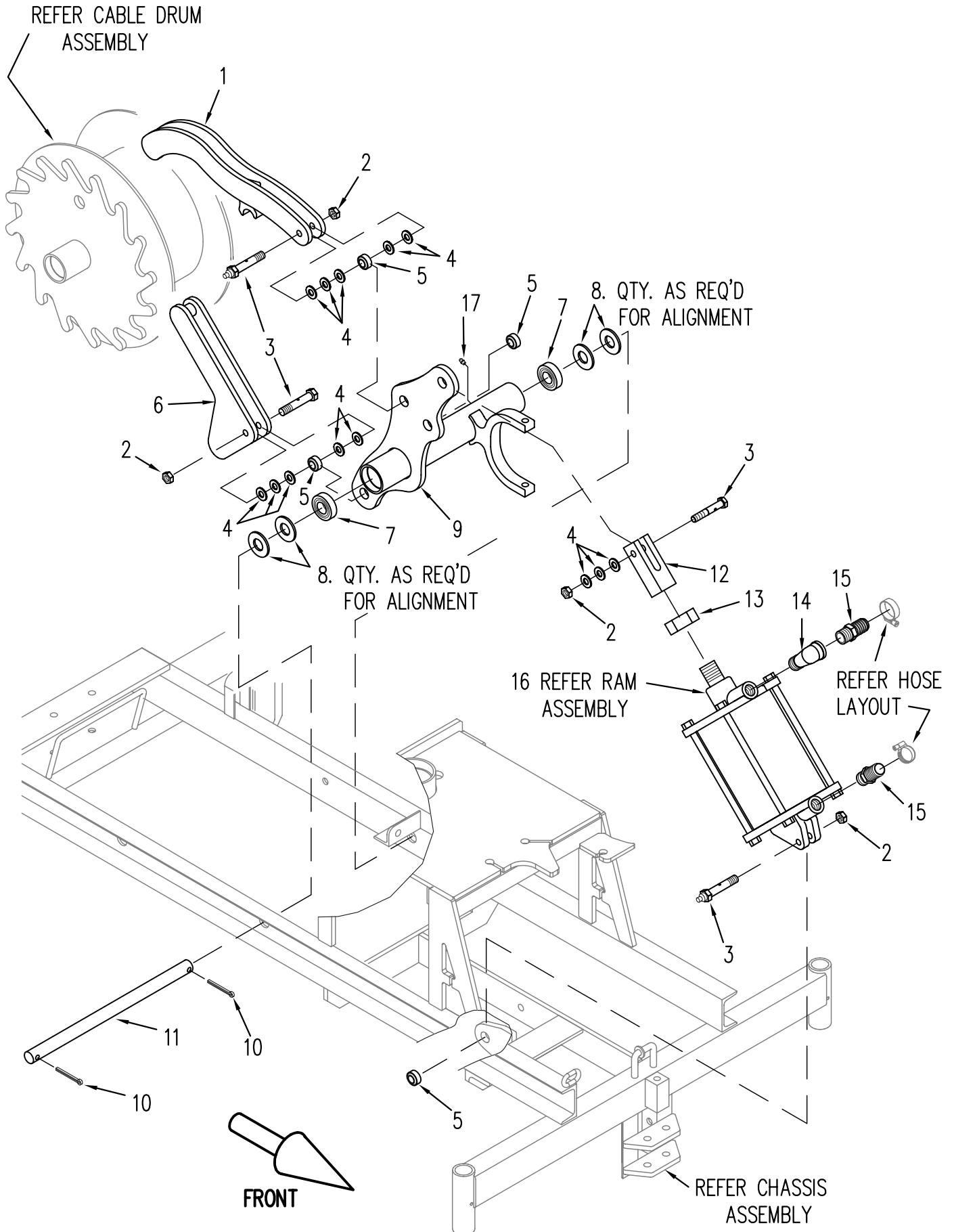
MODEL : A

SERIAL No. :

PART No. : 17433

DATE : 02DEC2003

POWER TRAIN





TRAILCO TRAVELLER

PARTS LIST

T 200-2

MODEL A

SERIAL No's :

SECTION : POWER TRAIN		PART No. : 17433		15-Oct-07
KEY	DESCRIPTION	PART No.	QTY	DWG No.
1	TOP PAWL	633	1	
2	NUT NYLOC ½" UNF	BN180	4	
3	PAWL BOLT	161	4	
4	WASHER FLAT ½" ZP	BW135	13	
5	BEARING	BB159	4	
6	BOTTOM PAWL	635	1	
7	BEARING	BB170B	2	
8	WASHER FLAT 1" BRT ZP	BW144	4	
9	ROCKER ARM	647	1	
10	PIN SPLIT STEEL 6.3MM X 40MM ZP	BP131	2	
11	SHAFT	640	1	
12	CLEVIS YOKE	99N	1	
13	LOCK NUT	99K	1	
14	ELBOW	BF41E	1	
15	HOSE TAIL	65	2	
16	RAM	744	1	
17	NIPPLE GREASE ¼" UNF STRAIGHT	B106	1	

PLEASE QUOTE **MODEL** AND **SERIAL NUMBER** OF IRRIGATOR WHEN ORDERING PARTS

Trailco Irrigation (Aust.) Phone: (07) 3260 1828 Fax: (07) 3260 1877

TRAILCO TRAVELLER

T 200-2

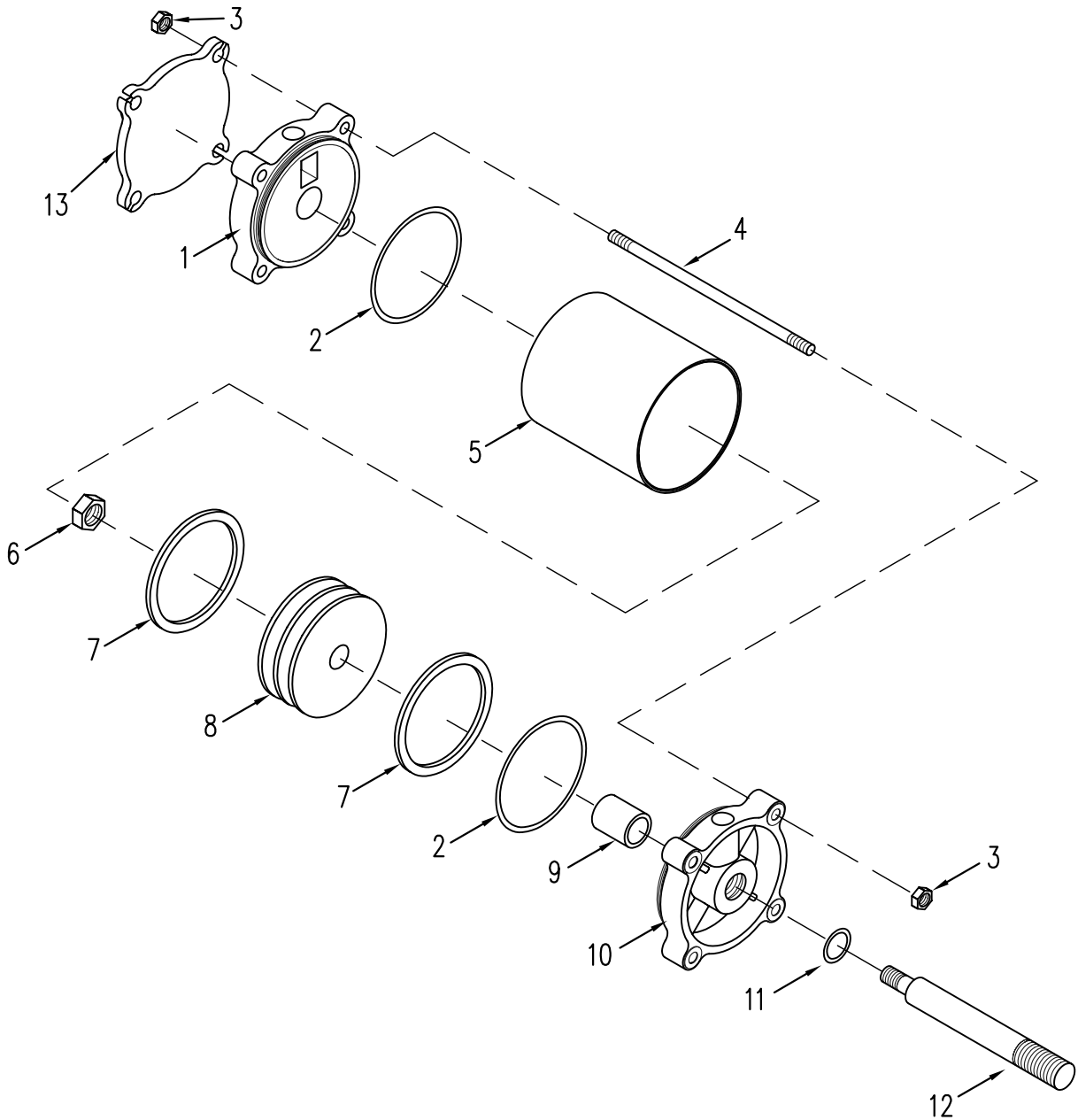
MODEL : A

SERIAL No. : TO 3315

PART No. : 744

DATE : 19JUL2000

RAM ASSEMBLY





TRAILCO TRAVELLER

PARTS LIST

T 200-2

MODEL A

SERIAL No's : TO 3315

SECTION : RAM ASSEMBLY		PART No. : 744		11-Oct-07
KEY	DESCRIPTION	PART No.	QTY	DWG No.
1	END CAP BOTTOM (ALUMINIUM)	99H	1	
	END CAP BOTTOM (GUNMETAL)	461		
2	O-RING	BO99C	2	
3	NUT ½" BSW ZP	BN117	8	
4	TIE BOLT	99O	4	
5	RAM BARREL	739	1	
6	NUT CONELOCK ¾" UNC SS	15956	1	
7	SEAL	BS99A	2	
8	RAM PISTON	460	1	
9	BUSH BRASS	BB99J	1	
10	END CAP TOP (ALUMINIUM)	99G	1	
	END CAP TOP (GUNMETAL)	459		
11	SEAL	BS99B	1	
12	PISTON ROD	99R	1	
13	TRUNION	220	1	

PLEASE QUOTE **MODEL** AND **SERIAL NUMBER** OF IRRIGATOR WHEN ORDERING PARTS

Trailco Irrigation (Aust.) Phone: (07) 3260 1828 Fax: (07) 3260 1877

TRAILCO TRAVELLER

T 200-2

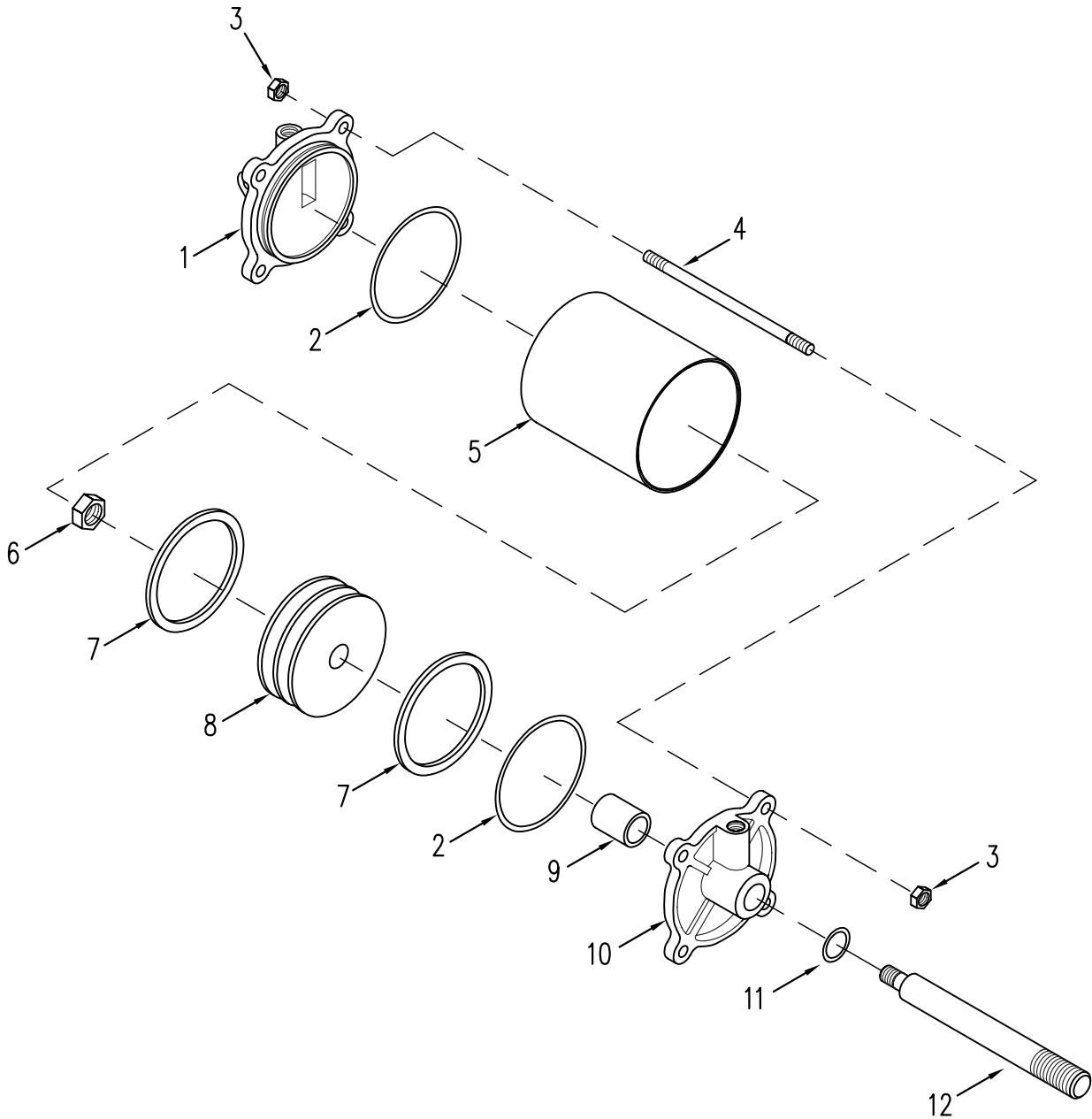
MODEL : A

SERIAL No. : FROM 3316

PART No. : 744

DATE : 19JUL2000

RAM ASSEMBLY





TRAILCO TRAVELLER T 200-2 MODEL A

PARTS LIST

SERIAL No's : FROM 3316

SECTION : RAM ASSEMBLY		PART No. : 744		11-Oct-07
KEY	DESCRIPTION	PART No.	QTY	DWG No.
1	END CAP BOTTOM	1023	1	
2	O-RING	BO99C	2	
3	NUT ½" BSW ZP	BN117	8	
4	TIE BOLT	1018	4	
5	RAM BARREL	739	1	
6	NUT CONELOCK ¾" UNC SS	15956	1	
7	SEAL	BS99A	2	
8	RAM PISTON	460	1	
9	BUSH BRASS	BB99J	1	
10	END CAP TOP	1021	1	
11	SEAL	BS99B	1	
12	PISTON ROD	1011	1	

PLEASE QUOTE **MODEL** AND **SERIAL NUMBER** OF IRRIGATOR WHEN ORDERING PARTS

Trailco Irrigation (Aust.) Phone: (07) 3260 1828 Fax: (07) 3260 1877

TRAILCO TRAVELLER T 200-2

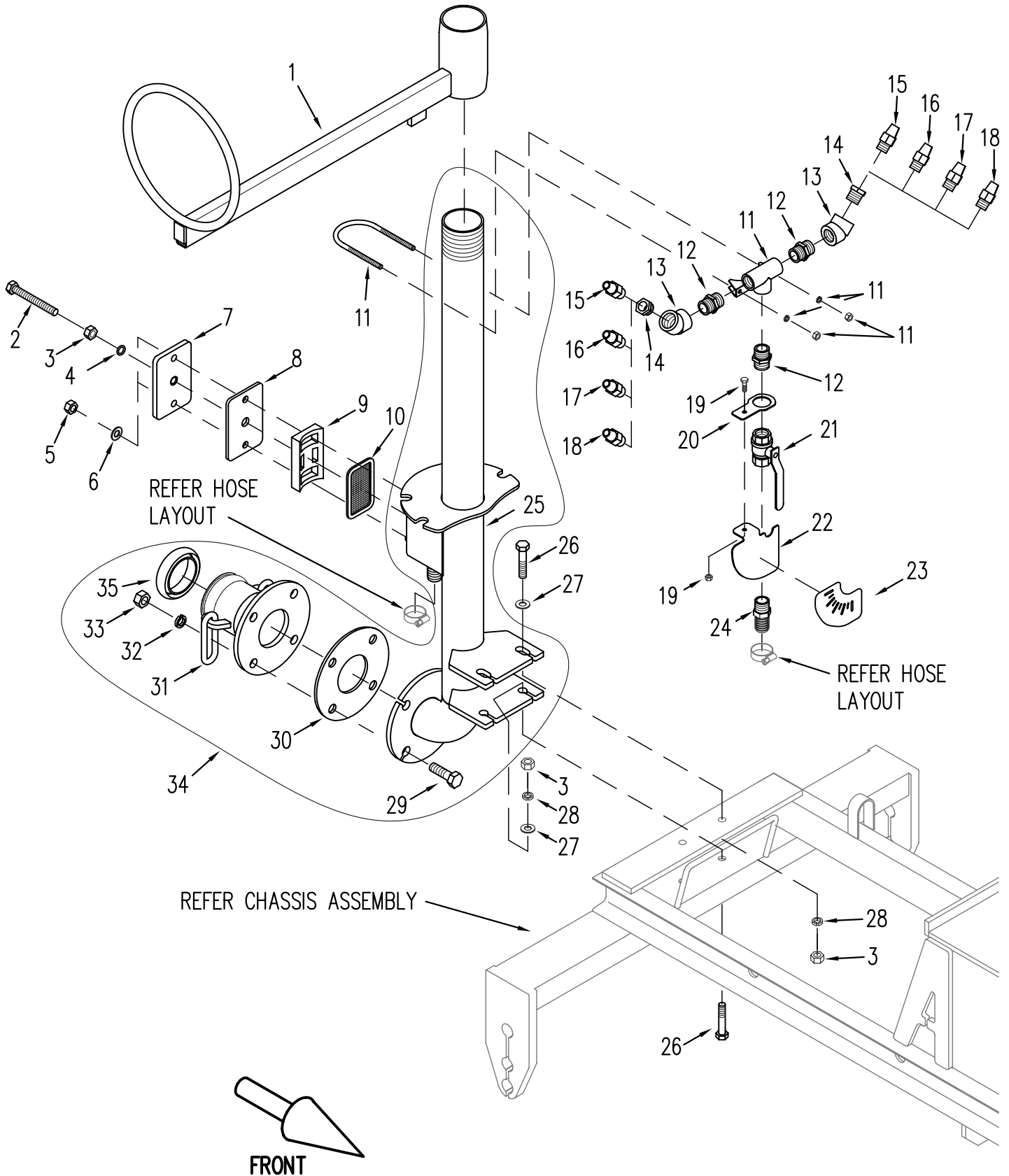
MODEL : A

SERIAL No. :

PART No. : 17434

DATE : 20JUL2000

RISER PIPE ASSEMBLY





TRAILCO TRAVELLER

PARTS LIST

T 200-2

MODEL A

SERIAL No's :

SECTION : RISER PIPE ASSEMBLY		PART No. : 17434		15-Oct-07
KEY	DESCRIPTION	PART No.	QTY	DWG No.
1	SIDE LAY ARM	684	1	
2	SET SCREW 4" X 1/2" BSW ZP	BN184	1	
3	NUT 1/2" BSW ZP	BN117	5	
4	O-RING	BO100C	1	
5	NUT NYLOC 1/2" BSW	BN139	2	
6	WASHER COPPER 1/2" X 7/8" X 1/32"	BW67	2	
7	FILTER BOX COVER PLATE	653	1	
8	GASKET	B69	1	
9	FILTER CLAMP	B218	1	
10	FILTER SCREEN	68	1	
11	EXHAUST T & CLAMP	164	1	
12	NIPPLE	BF41B	3	
13	ELBOW	BF402	2	
14	BUSH REDUCING	BF41D	2	
15	EXHAUST JET 3.2MM	B395	2	
16	EXHAUST JET 4MM	B396	2	
17	EXHAUST JET 4.8MM	B397	2	
18	EXHAUST JET 5.6MM	B398	2	
19	BOLT & NUT 3/4" X 1/4" TANK ZP	17098	1	
20	KEEPER	17084	1	
21	VALVE BALL	BF40	1	
22	INDICATOR PLATE	17083	1	
23	STICKER - VALVE INDICATOR PLATE	AT24	1	
24	HOSE TAIL	65	1	
25	RISER PIPE	707G	1	
26	BOLT 1 3/4" X 1/2" BSW ZP	BN116	4	
27	WASHER FLAT 1/2" ZP	BW135	4	
28	WASHER SPRING 1/2" ZP	BW118	4	
29	BOLT M16 X 40MM HEX ZP	BN346	4	
30	GASKET	A1731	1	
31	WELD BELL	9965	1	
32	WASHER SPRING 5/8" ZP	BW110	4	
33	NUT M16 ZP	BN351	4	
34	RISER PIPE & WELD BELL ASSEMBLY	707	1	
35	GASKET	B407	1	

PLEASE QUOTE **MODEL** AND **SERIAL NUMBER** OF IRRIGATOR WHEN ORDERING PARTS

Trailco Irrigation (Aust.) Phone: (07) 3260 1828 Fax: (07) 3260 1877

TRAILCO TRAVELLER T 200-2

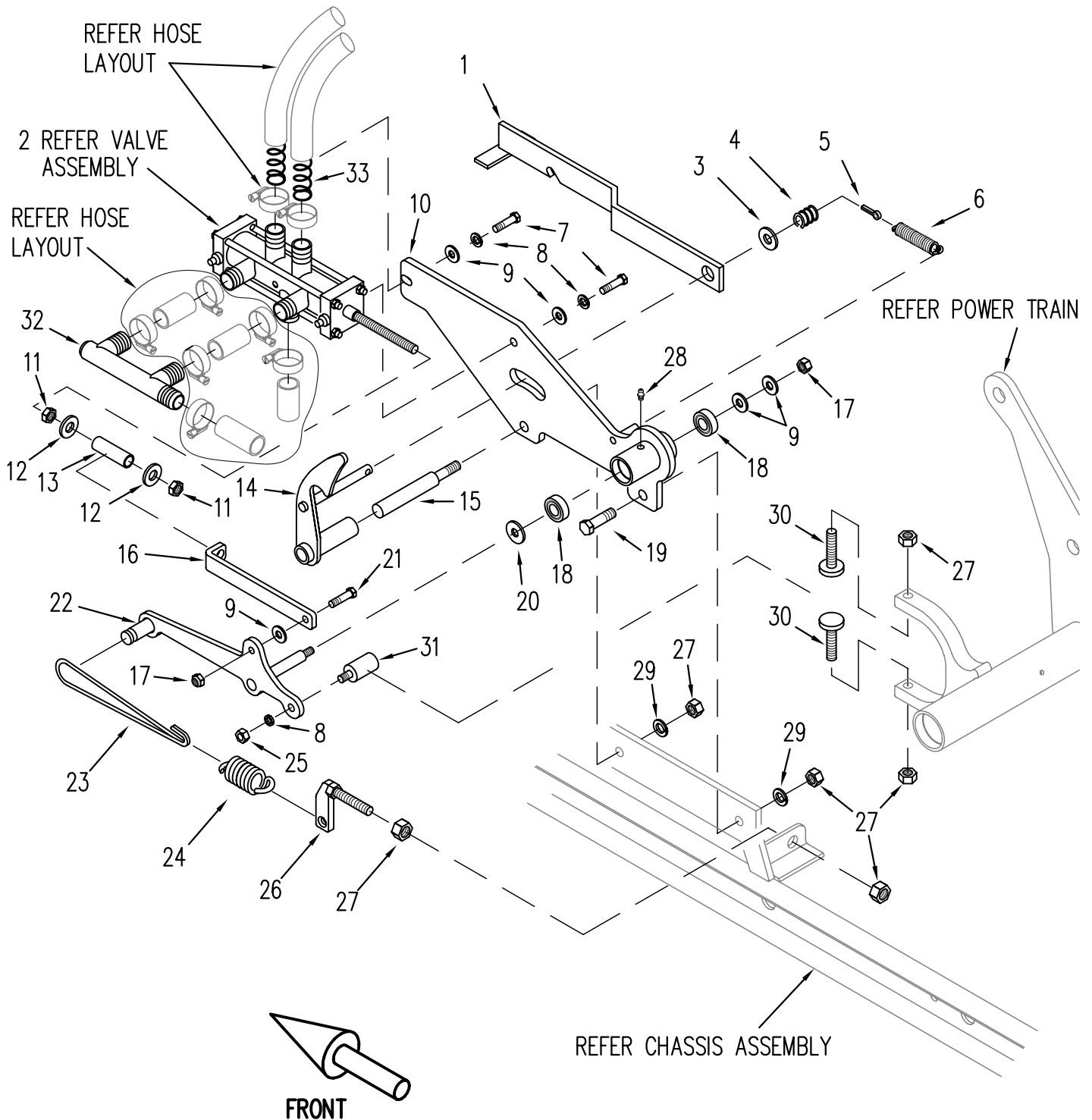
MODEL : A

SERIAL No. :

PART No. : 17435

DATE : 20JUL2000

VALVE TRAIN





TRAILCO TRAVELLER

PARTS LIST

T 200-2

MODEL A

SERIAL No's :

SECTION : VALVE TRAIN		PART No. : 17435		15-Oct-07
KEY	DESCRIPTION	PART No.	QTY	DWG No.
1	SHUT OFF ARM	603	1	
2	VALVE ASSEMBLY ¾"	817	1	
3	WASHER FLAT ½" ZP	BW135	1	
4	SPRING	BX55	1	
5	PIN SPLIT 4MM X 40MM ZP	BP132	1	
6	SPRING	BX56	1	
7	BOLT 1" X 3/8" BSW ZP	BN123	2	
8	WASHER SPRING 10MM ZP	BN358	3	
9	WASHER FLAT 3/8" BSW	BW136	5	
10	VALVE PLATE	721	1	
11	VALVE SPOOL NUT	102	2	
12	WASHER FLAT 12MM BRIGHT ZP	BW142	2	
13	VALVE SPOOL SLEEVE	15866	1	
14	SHUT OFF LATCH	952	1	
15	LATCH PIN	206	1	
16	VALVE ACTUATING LINK	15860	1	
17	NUT CONELOCK 3/8" BSW ZP	BN138	2	
18	BEARING	BB76	2	
19	BOLT 1¼" X ½" BSW ZP	BN116	1	
20	WASHER FLAT 9/16" X 1 1/8" ZP	BW380	1	
21	BOLT 1½" X 3/8" BSW ZP	BN124	1	
22	VALVE ACTUATING ARM	953	1	
23	LANYARD	BX58	1	
24	SPRING	BX57	1	
25	NUT 3/8" BSW ZP	BN146	1	
26	SPRING ADJUSTER	722	1	
27	NUT ½" BSW ZP	BN117	6	
28	NIPPLE GREASE ¼" UNF STRAIGHT	B106	1	
29	WASHER SPRING ½" ZP	BW118	2	
30	VALVE ACTUATING SCREW	174	2	
31	VALVE ACTUATING PIN	175	1	
32	EXHAUST MANIFOLD	15493	1	
33	HOSE LINER	17444	2	

PLEASE QUOTE **MODEL** AND **SERIAL NUMBER** OF IRRIGATOR WHEN ORDERING PARTS

Trailco Irrigation (Aust.) Phone: (07) 3260 1828 Fax: (07) 3260 1877

TRAILCO TRAVELLER

T 200-2

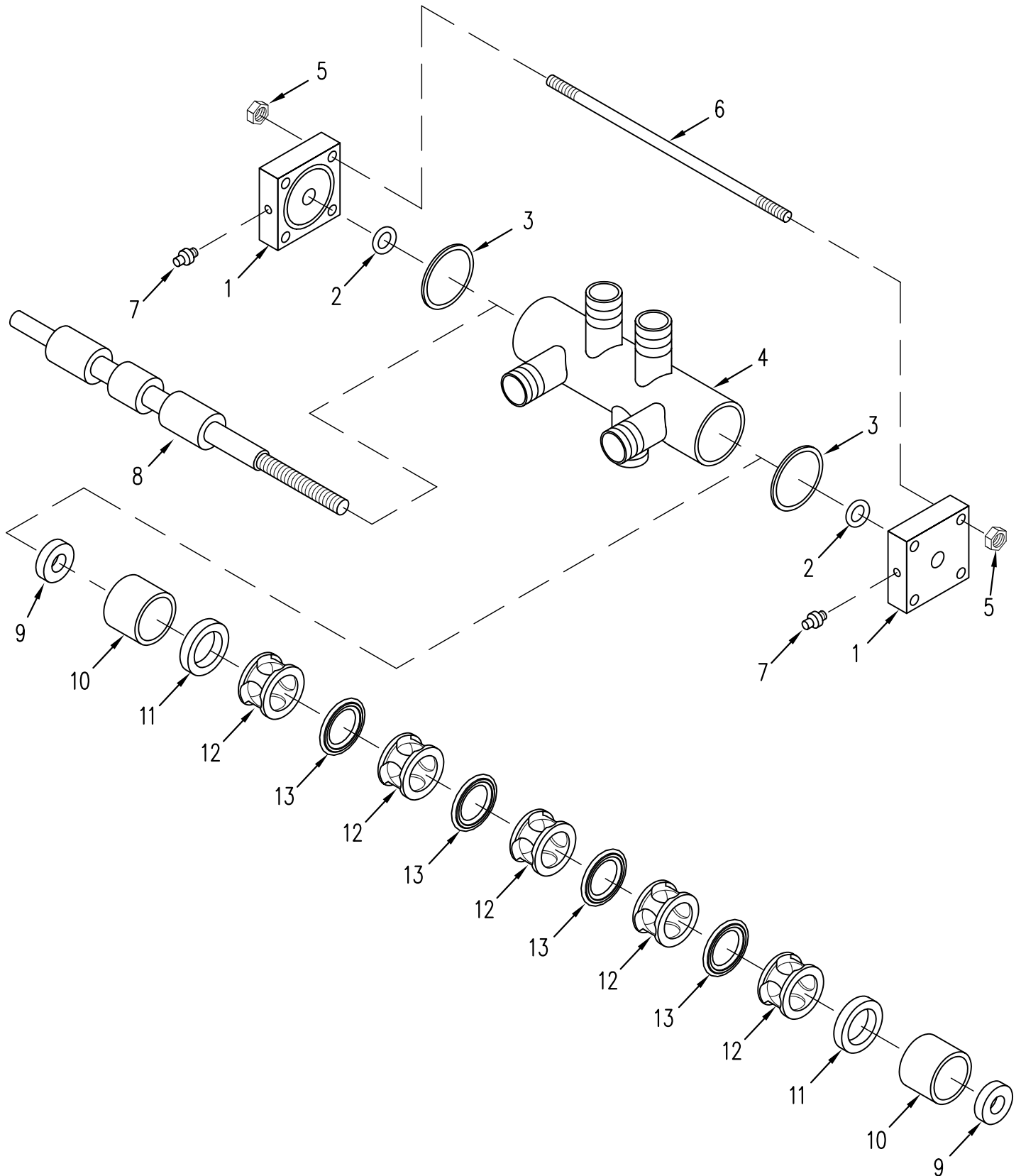
MODEL : A

SERIAL No. :

PART No. : 817

DATE : 2NOV2005

VALVE ASSEMBLY 3/4"





TRAILCO TRAVELLER

PARTS LIST

T 200-2

MODEL A

SERIAL No's :

SECTION : VALVE ASSEMBLY 3/4"		PART No. : 817		11-Oct-07
KEY	DESCRIPTION	PART No.	QTY	DWG No.
1	END CAP	820	2	
2	O-RING	BO100C	2	
3	GASKET	B100J	2	
4	VALVE BODY	818	1	
5	NUT 5/16" BSW GAL	BN140	8	
6	TIE BOLT	100N	4	
7	NIPPLE GREASE 1/4" UNF STRAIGHT	B106	2	
8	VALVE SPOOL	100B	1	
9	NYLON BUFFER	B100H	2	
10	PVC SPACER	819	2	
11	NYLON BEARING	100P	2	
12	NYLON SPACER	100Q	5	
13	VALVE SEAL	100M	4	

PLEASE QUOTE **MODEL** AND **SERIAL NUMBER** OF IRRIGATOR WHEN ORDERING PARTS

Trailco Irrigation (Aust.) Phone: (07) 3260 1828 Fax: (07) 3260 1877

TRAILCO IRRIGATION (AUST.)
A.B.N. 35 480 117 190
STANDARD TERMS OF TRADE

These following Terms of Trade shall apply to and form part of any contract for the supply of goods or services by Trailco Irrigation (Aust) ("Trailco") to another party ("the customer") including any contract arising from oral acceptance of repeat or further orders from the customer for goods or services the same or similar to those to which this contract applies, and shall terminate, cancel and supercede any previous written or oral agreements and understandings (if any) entered into between Trailco and the customer. These Terms of Trade replace any previous Terms of Trade and may be changed only by writing executed by Trailco's management and the customer.

1. OFFERS AND ACCEPTANCE

No quotation given by Trailco shall constitute an offer. An order placed by a customer pursuant to any such quotation is not binding on Trailco unless and until accepted in writing by Trailco.

2. PURCHASE ORDERS

When ordering, an official order ("the following order") is to be submitted to Trailco by the customer showing order number, ABN and full description of the goods and services.

3. PRICES

The prices charged will be those prices charged in Brisbane at the date of delivery.

4. PERFORMANCE

Trailco reserves the right to improve the goods and thereby change the design or specifications thereof without notice to the customer and without incurring any liability to the customer.

5. INDEMNITY

Without prejudice to any other rights Trailco may have, the customer shall indemnify Trailco for any loss, damage or expense incurred by Trailco should the customer breach any term of this contract or cancel any order or part thereof after acceptance by Trailco.

6. DELIVERY

6.1 Delivery to the customer shall be deemed to be effected when the goods are loaded on the delivery vehicle at Trailco's store.

6.2 Goods supplied by Trailco to the customer shall be at the customer's risk immediately upon delivery to the customer, or into the customer's custody (whichever is the sooner), and the customer shall thereafter insure the goods, at its own expense, against such risks as it thinks appropriate.

6.3 The customer shall be responsible for all costs arising out of or incidental to the delivery of goods to the customer, including freight costs.

6.4 Trailco shall not be liable for any loss or damage (including consequential loss or damage) arising from delay in delivery and/or installation of goods ordered or failure to deliver and/or install the goods as a result of any cause or contingency whatsoever and the customer shall accept and pay for the goods and/or installation notwithstanding the delay or late delivery. Trailco will effect delivery and/or installation as soon as practicable after such causes or contingencies cease to affect delivery and/or the installation.

6.5 The customer shall be responsible for and indemnify Trailco for loss or damage to the goods from time of delivery until paid for in full.

6.6 Where delivery or performance of the goods or services is effected by way of part deliveries or performance, Trailco shall be entitled to invoice the customer for pro rata progress payments in respect thereof.

6.7 Deliveries to third parties may be arranged at the request of the customer subject to acceptance by Trailco. Goods delivered to third parties pursuant to this sub-clause shall be deemed to be delivered to the customer.

7. ADDITIONAL CHARGES

Trailco reserves the right to charge the customer for any costs, charges or expenses whatsoever that Trailco may incur on behalf of the customer including, without limiting the generality of the foregoing any costs, charges or expenses incurred as a result of:-

- (a) vehicle or wagon detention (to the extent the same is not caused or contributed to by Trailco);
- (b) demurrage on ships in consequence of any act or omission of the customer; or
- (c) any special requirements or stipulation's of the customer agreed to by Trailco but not provided for in the contract.

8. STORAGE

If Trailco notifies the customer that the goods are ready for delivery and the customer requests Trailco to hold the goods on its behalf or refuses to accept delivery, such goods will be held by Trailco at the customer's risk and Trailco shall be entitled to charge a reasonable storage fee in respect of the goods.

9. RETENTION OF TITLE

9.1 Property in the goods will not pass to the customer until payment by the customer of all monies owing by the customer to Trailco in relation to the supply of goods. Until such time, the customer shall hold the goods as bailee of Trailco.

9.2 Where property in the goods has not passed to the customer, Trailco has the right to enter the premises of the customer, and re-take possession of the goods, and re-sell the goods, notwithstanding the occurrence of the following events:

- (a) if a receiver or a receiver and manager of the customer is appointed.
- (b) if an official manager of the customer is appointed;
- (c) if winding up proceedings are commenced against the customer;
- (d) if, being a natural person, the customer commits an act of bankruptcy, or becomes insolvent or bankrupt.

9.3 The customer shall have the right to sell the goods in the ordinary course of business, as agent for Trailco, and shall have a fiduciary obligation to account to Trailco in relation to the goods, and for the proceeds of any on-sale.

9.4 Until the goods are sold by the customer, the customer shall store the goods separately from its own goods, and in such a manner as to show clearly that they are and remain the property of Trailco.

9.5 Upon sale of the goods, or any part thereof by the customer, the customer shall keep the proceeds of such sale in a separate account on behalf of Trailco and shall apply such proceeds only to the payment of the purchase price to Trailco.

9.6 Notwithstanding clause 13 hereof, the customer shall account to Trailco, in respect of goods which are on-sold by the customer, as soon as the proceeds of sale are received.

9.7 Upon payment by the customer to Trailco of all monies owing to Trailco in respect of all goods supplied by it to the customer, the property in the goods supplied shall pass from Trailco to the customer.

10. WARRANTIES

10.1 Trailco warrants to the original purchaser that it will repair or replace at its option, goods manufactured by Trailco or parts thereof free of charge which on return to Trailco with transport and other freight and associated charges prepaid by the customer, shall be acknowledged by Trailco to be defective in material or workmanship. The warranty herein is subject to the following conditions:-

- (a) No claim under warranty will be acknowledged where:-
 - (i) one (1) year has lapsed from the date of delivery;
 - (ii) the goods have been repaired or altered by an entity other than Trailco or Trailco's authorised agent so as, in Trailco's judgement, to affect its stability or efficiency;
 - (iii) subject to clause 10.1(a) (ii), the goods are not returned in a state and condition in which they were delivered;
- (b) the terms of payment contained in these terms of trade have been complied with;
- (c) the goods have been subject to normal use and service.

10.2 Goods supplied by Trailco but not manufactured by Trailco carry their own warranties and Trailco does not accept liability for any defects in such goods.

10.3 Any liability of Trailco under the warranty in clause 10.1 hereof shall not extend to consequential damages, either direct or indirect.

10.4 The warranty in clause 10.1 herein is given in lieu of all other conditions, warranties and undertakings, expressed or implied which might otherwise be binding on Trailco, all of which are, to the extent permitted by law, are expressly excluded and no further responsibility for any consequential damages or any other expenses incurred by the customer will be accepted by Trailco.

10.5 The customer warrants that any goods purchased by the customer are required for the customer's written specifications as described by the customer in the official order and required for no other specifications, whether written or oral.

10.6 Nothing in these Terms of Trade will exclude or modify any condition, warranty, right or liability protected by law where to do so would render any clause of these Terms of Trade void.

11. LIMITATION OF LIABILITY

11.1 Pursuant to Section 68A of the Trade Practices Act 1974, clause 11.2 applies in respect of any of the goods or services supplied under this contract which are not of a kind ordinarily acquired for personal, domestic or household use or consumption.

11.2 Liability for breach of a condition or warranty implied into this contract by the Trade Practices Act 1974 other than a condition implied by Section 69 is limited:-

- (a) In the case of goods, to any one of the following as determined by Trailco:
 - (i) the replacement of the goods or the supply of equivalent goods; or
 - (ii) the repair of the goods; or
 - (iii) the payment of the cost of replacing the goods or of acquiring equivalent goods; or
 - (iv) the payment of the cost of having the goods repaired;
- (b) In the case of services, to any one of the following as determined by Trailco:
 - (i) the supplying of the services again; or
 - (ii) the payment of the cost of having the services supplied again.

12. GOODS AND SERVICES TAX

12.1 The Trailco printed List Price is Plus 10% GST.

12.2 Unless otherwise stated, quoted prices do not include GST. Should any other tax, fee, levy or duty imposed by any competent authority be payable on any goods or services supplied by Trailco, such tax, fee, levy or duty will be to the customer's account.

13. PAYMENT

13.1 Unless otherwise agreed to, all goods will be supplied on a cash on delivery basis. Trailco shall be entitled to request the payment of a deposit of such amount as it thinks fit. The extension of credit shall be at the absolute discretion of Trailco and where extended, unless otherwise advised in writing, Trailco shall require payment by net cash within 30 days of the end of the month in which the goods were delivered.

13.2 Without in any way limiting Trailco's right to require payment in full on the due date, Trailco may charge interest on an overdue account at the rate of 2.5% above the ANZ Bank's variable Benchmark lending rate as from time to time applicable.

13.3 The customer agrees that Trailco shall be entitled to use the services of a credit agency from time to time to obtain information concerning the customer (and where the customer is a company, its Directors) in order to assess the customer's credit worthiness.

13.4 Should the customer fail to make due payment for any goods or services supplied by Trailco, or being a natural person commits an act of bankruptcy or becomes insolvent or bankrupt, or being a corporation by any act of omission enables the appointment of a scheme manager or trustee, official manager, receiver, receiver and manager or liquidator, Trailco may, without prejudice to other rights it may have, do any of the following:-

- (a) withhold any further deliveries of goods or performance of services required under the contract;
- (b) suspend and/or terminate performance of any other contracts which Trailco has with the customer.

13.5 A statement in writing made up from the books of Trailco and signed by a Manager or Accountant of Trailco, of the moneys owing hereunder in respect of the account of the customer at the date mentioned in such statement, shall be prima facie evidence that such amount is owing.

14. GOODS RETURNED FOR CREDIT

14.1 Subject to clauses 14.2 and 14.3, goods listed in Trailco's published Price List or literature may be credited if returned to Trailco within 30 days of delivery, free into Trailco's store in original packing, in an unsoiled, undamaged and reasonable condition and accompanied by Delivery Docket, stating original invoice number, date of purchase and reason for return.

14.2 No goods will be accepted by Trailco for credit if returned to Trailco after a period of 30 days from delivery, unless prior arrangements have been made.

14.3 No goods will be accepted by Trailco for credit if the said goods were made to a special order.

15. LEGAL CONSTRUCTION

Unless the parties otherwise agree in writing, these Standard Terms of Trade shall be governed by and construed in accordance with the laws of the State or Territory of acceptance of the customer's order by Trailco.

Terms of Trade applicable 01/07/00

