

TRAILCO®

TRAVELLERS T50 & T100 MODELS "B"

SPARE PARTS



Trailco Irrigation (Aust.)

ABN: 35 480 117 190

1289 KINGSFORD SMITH DRIVE
PINKENBA, QLD. 4008

P.O. BOX 1278, EAGLE FARM
QLD. 4009, AUSTRALIA

PHONE: (07) 3260 1828 FAX: (07) 3260 1877

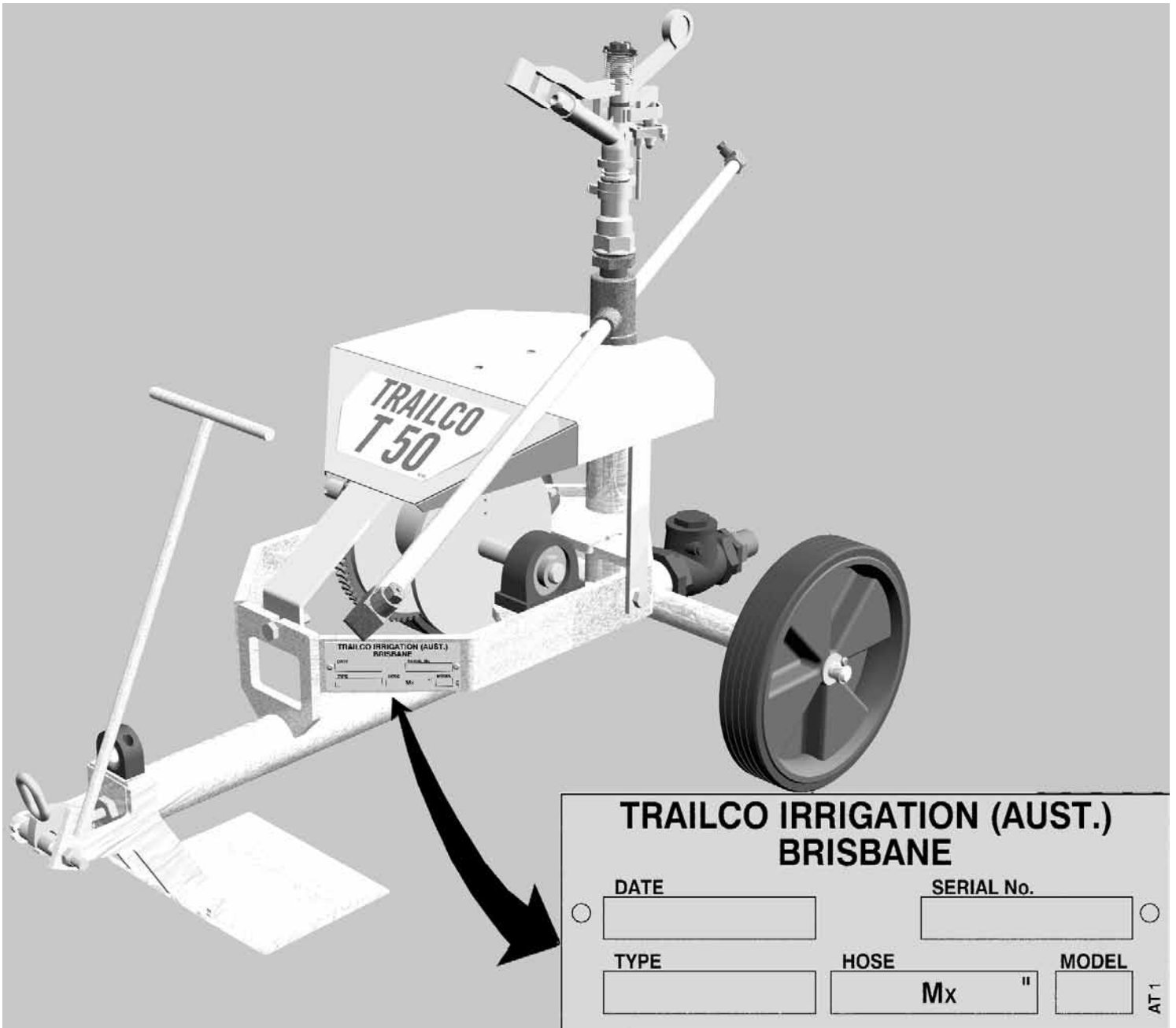
International Callers: Country (61) Area (7)

Web Site: - www.trailco.com.au

E-Mail: - sales@trailco.com.au



LOCATION OF MODEL/SERIAL No. PLATE



Please quote these details when ordering Spare Parts.

TRAILCO TRAVELLER T50 & T100

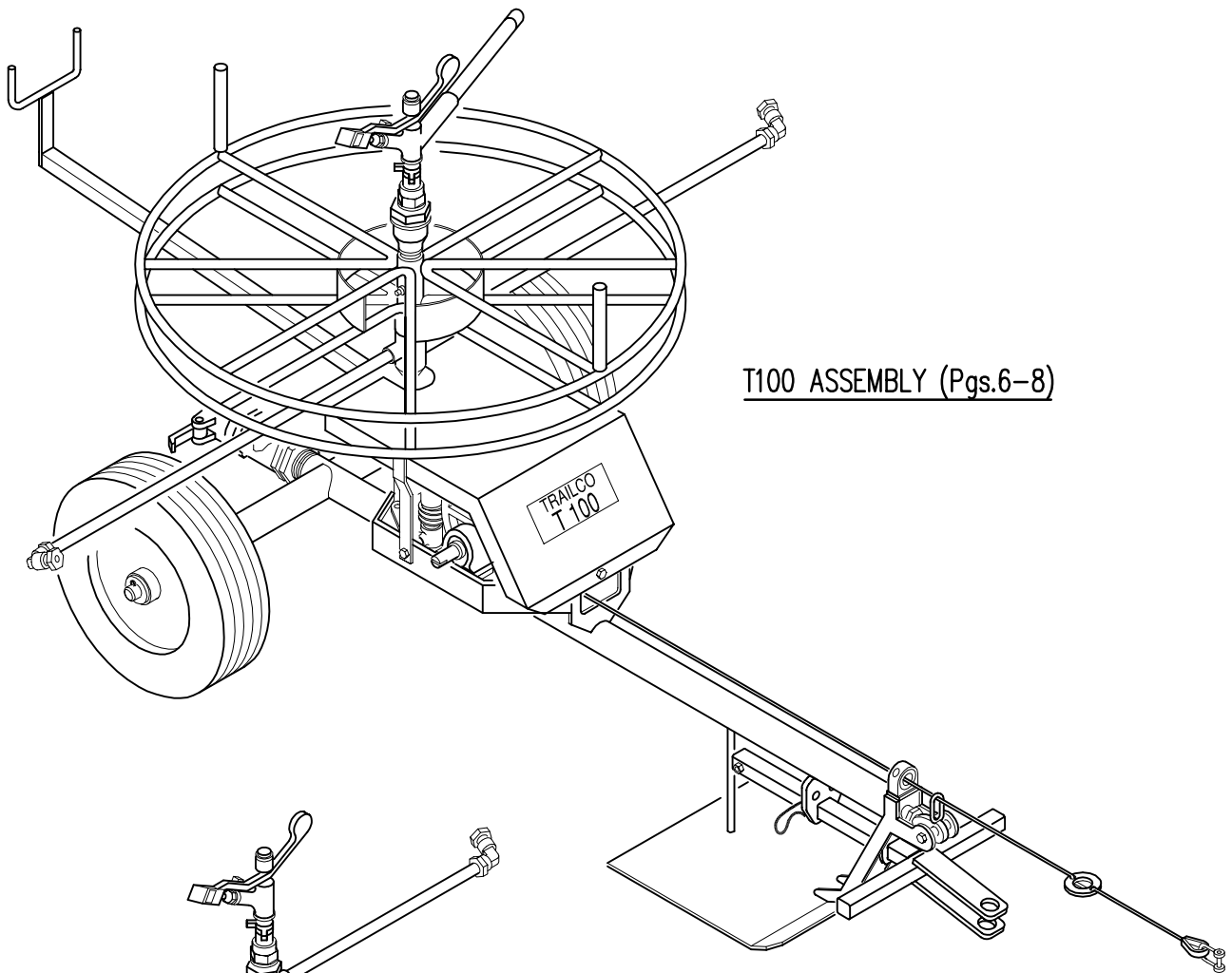
MODEL : B

SERIAL No. :

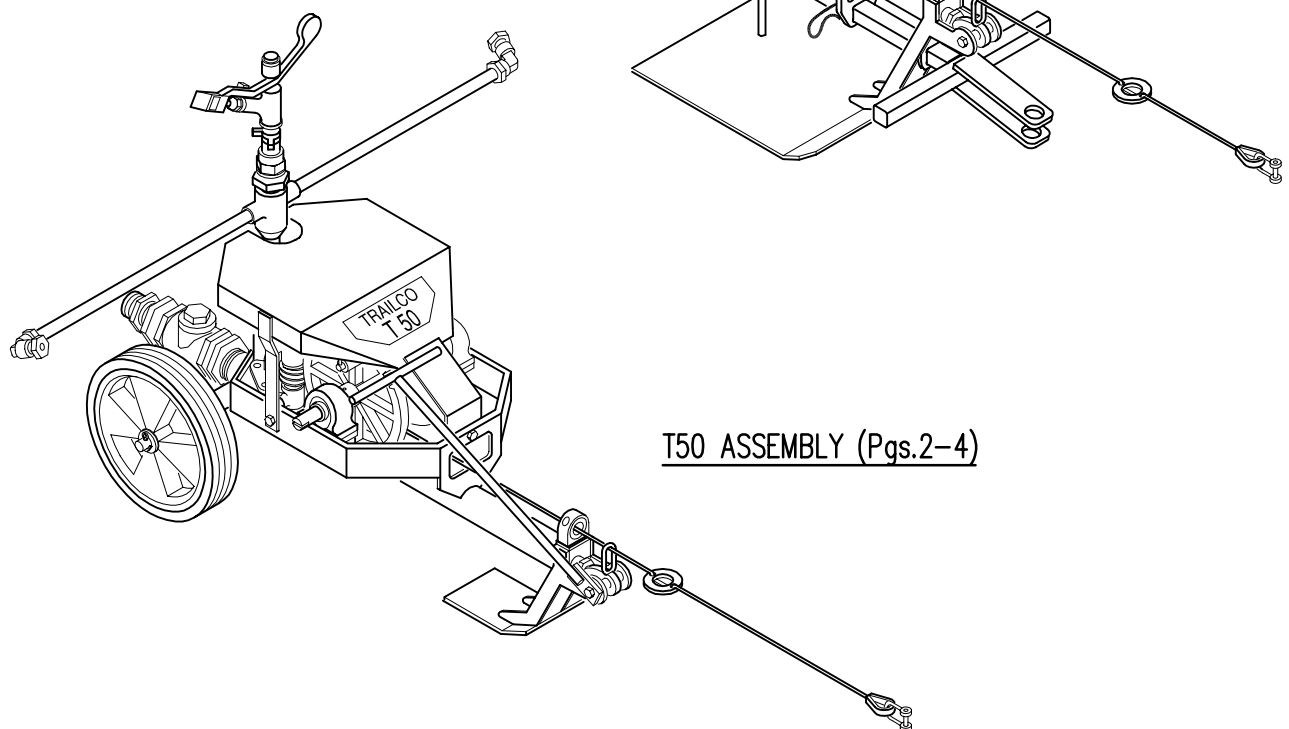
PART No. :

DATE : 09JUN2000

CONTENTS



T100 ASSEMBLY (Pgs.6-8)



T50 ASSEMBLY (Pgs.2-4)

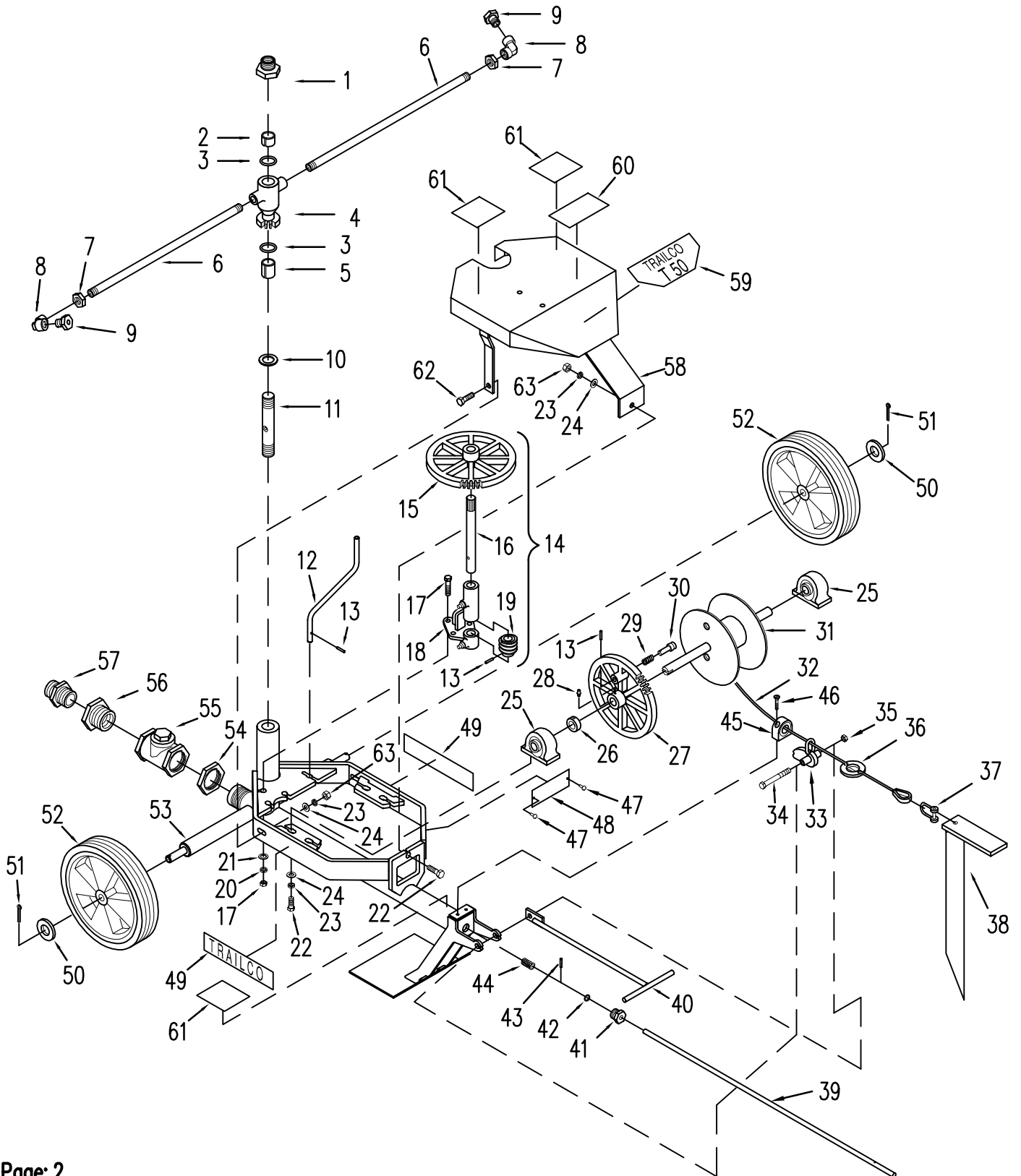
TRAILCO TRAVELLER T 50

MODEL : B

SERIAL No. :

PART No. : 8850

DATE : 04OCT2001





TRAILCO TRAVELLER

T 50

MODEL B

PARTS LIST

SERIAL No's :

SECTION :		PART No. : 8850 Page 1 of 2 09-Oct-07		
KEY	DESCRIPTION	PART No.	QTY	DWG No.
1	REDUCING BUSH 1" X 3/4"	BF9D	1	
2	TEFLON BEARING TOP	B445	1	
3	SEAL SPINNER ARM	BS428	2	
4	SPINNER ARM HOUSING	883	1	
5	TEFLON BEARING BOTTOM	B444	1	
6	SPRAY ARM	887	2	
7	LOCK NUT	BF418	2	
8	ELBOW BRASS	BF419	2	
9	SPRAY ARM JET 1/8"	B450	2	
10	TEFLON WASHER	B443	1	
11	SPINNER TUBE	886	1	
12	CABLE DRUM REWIND HANDLE & PIN	897	1	
13	SELLOC PIN 1 1/8" X 5/32" ZP	B311	1	
14	WORM DRIVE HSG GEAR ASSY	878	1	
15	GEAR MAIN DRIVE	881	1	
16	WORM DRIVE SHAFT	884	1	
17	BOLT & NUT 1 1/4" X 5/16" BSW	BN128	3	
18	WORM DRIVE HOUSING	882	1	
19	WORM DRIVE PINION	879	1	
20	WASHER SPRING 5/16"	BW126	3	
21	WASHER FLAT 5/16" BRIGHT ZP	B1002	3	
22	BOLT M10 X 25MM ZP	15931	4	
23	WASHER SPRING 10MM ZP	BN358	7	
24	WASHER FLAT 3/8" ZP	BW136	4	
25	BEARING	BB424	2	
26	LOCK COLLAR	899	1	
27	CABLE DRUM DRIVE WHEEL	880	1	
28	NIPPLE GREASE 1/4" UNF	B106	1	
29	SPRING DRUM CLUTCH	BX431	1	
30	CABLE DRUM CLUTCH PIN	898	1	
31	CABLE DRUM	895	1	
32	CABLE WITH TRIP WASHER	B452	1	
33	TRIP LEVER	893	1	
34	BOLT 3 1/2" X 3/8" HEX BSW ZP	BN231	1	
35	NUT CONELOCK 3/8" BSW ZP	BN138	1	
36	TRIP WASHER	877	1	
37	SHACKLE "D" 5/16" X 5/16"	15818	1	
38	ANCHOR PEG	894	1	
39	SHUT OFF ROD	892	1	
40	HANDLE	17055	1	
41	BUSH BRASS	BF415	1	
42	O-RING	BO425	1	
43	SELLOC PIN 5/8" X 1/8" S/S	B441	1	

PLEASE QUOTE **MODEL** AND **SERIAL NUMBER** OF IRRIGATOR WHEN ORDERING PARTS

Trailco Irrigation (Aust.) Phone: (07) 3260 1828 Fax: (07) 3260 1877

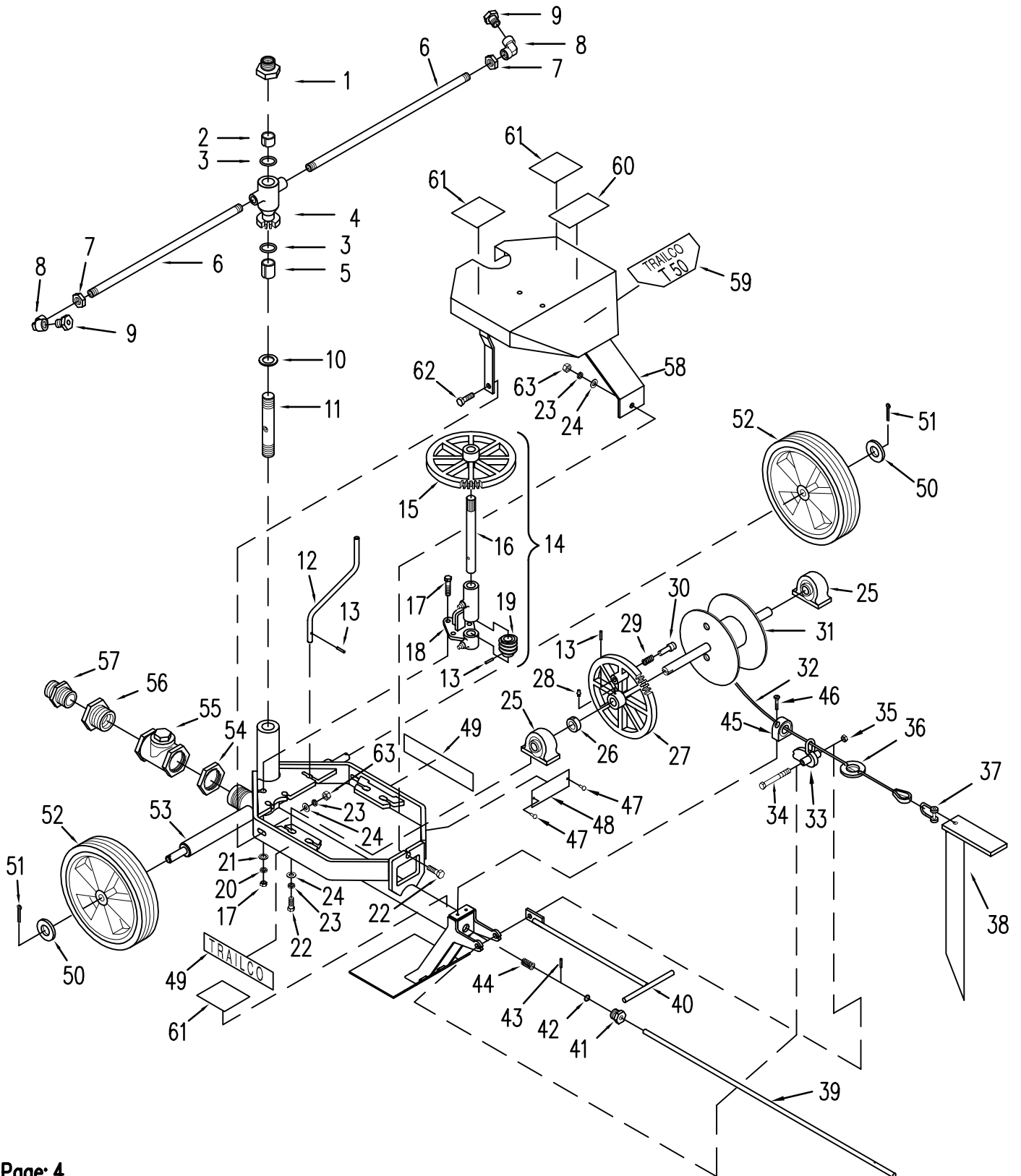
TRAILCO TRAVELLER T 50

MODEL : B

SERIAL No. :

PART No. : 8850

DATE : 04OCT2001





TRAILCO TRAVELLER

PARTS LIST

T 50

MODEL B

SERIAL No's :

SECTION :		PART No. : 8850 Page 2 of 2 09-Oct-07		
KEY	DESCRIPTION	PART No.	QTY	DWG No.
44	SPRING	BX432	1	
45	CABLE GUIDE BLOCK	B427	1	
46	C/SUNK SCREW 3/16" X 1 1/4" SS	BN429	2	
47	POP RIVET	B39	2	
48	STICKER MODEL/SERIAL NO.PLATE	AT1	1	
49	STICKER "TRAILCO"	AT8	2	
50	WASHER FLAT 5/8" BRIGHT ZP	BW145	2	
51	PIN SPLIT 4MM X 40MM ZP	BP132	2	
52	WHEEL & TYRE ASSEMBLY	B426	2	
53	CHASSIS	8899	1	
54	LOCK NUT 1 1/2"	BF417	1	
55	CHECK VALVE	BF416	1	
56	REDUCING BUSH 1 1/2" X 1"	BF422	1	
57	NIPPLE HEX 1"	BF421	1	
58	SAFETY COVER	15972	1	
59	STICKER "TRAILCO T50"	AT23	1	
60	STICKER-TRAILCO LOGO MEDIUM	AT25	1	
61	STICKER "KEEP CLEAR OF ..."	AT3	3	
62	BOLT 1 1/2" X 3/8" HEX BSW ZP	BN124	3	
63	NUT 3/8" HEX BSW ZP	BN146	3	

PLEASE QUOTE **MODEL** AND **SERIAL NUMBER** OF IRRIGATOR WHEN ORDERING PARTS

Trailco Irrigation (Aust.) Phone: (07) 3260 1828 Fax: (07) 3260 1877

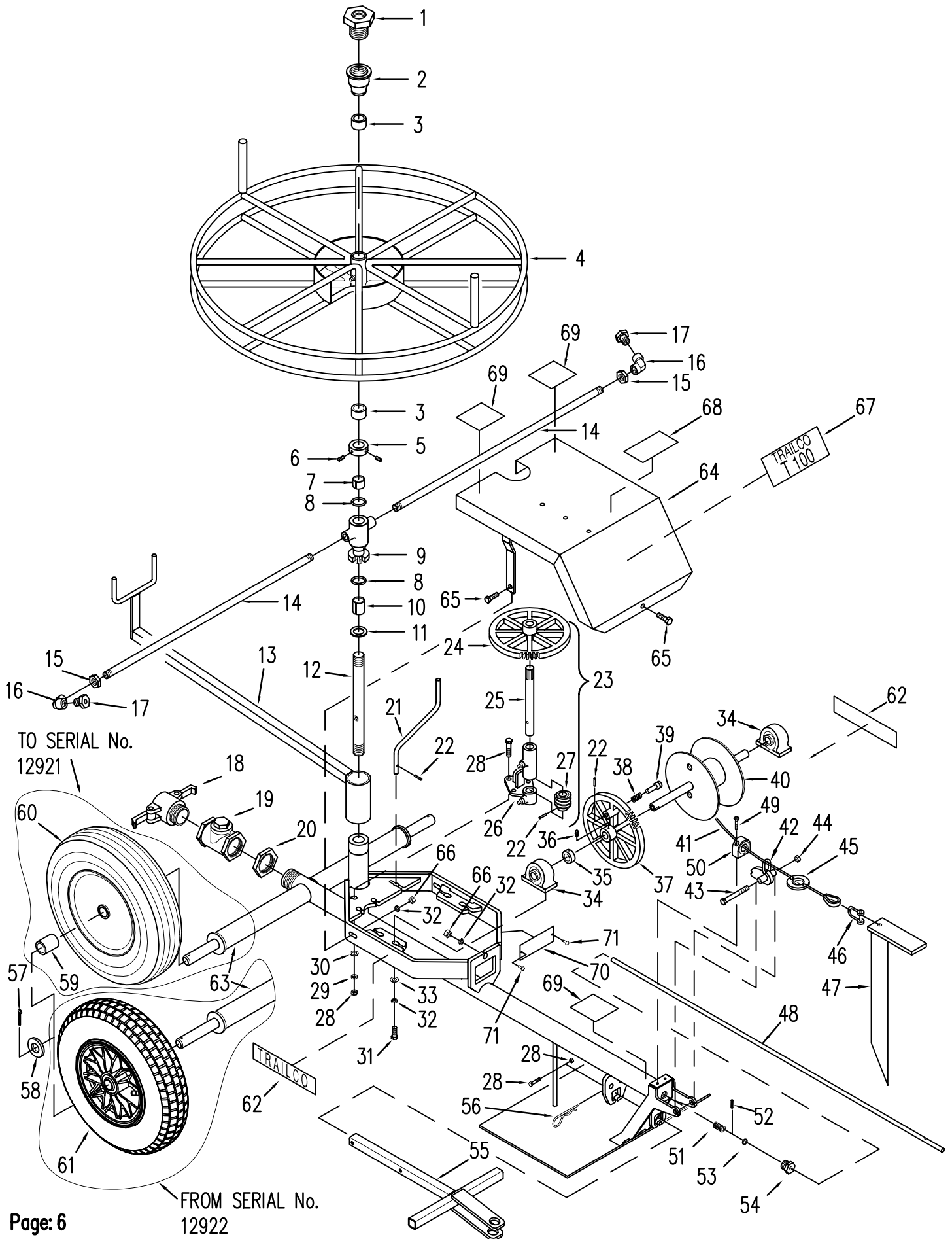
TRAILCO TRAVELLER T 100

MODEL : B

SERIAL No. :

PART No. : 8900

DATE : 22MAR2002





TRAILCO TRAVELLER

PARTS LIST

T 100

MODEL B

SERIAL No's :

SECTION :		PART No. : 8900 Page 1 of 2 09-Oct-07		
KEY	DESCRIPTION	PART No.	QTY	DWG No.
1	BUSH 1½" X 1¼"	BF449	1	
2	REDUCING SOCKET 1½" X ¾"	BF448	1	
3	BRONZE BUSH	890	2	
4	HOSE REEL	888	1	
5	THRUST COLLAR	889	1	
6	SET SCREW 3/8" X ¼" SOC/HD S/S	BN435	2	
7	TEFLON BEARING TOP	B445	1	
8	SEAL	BS428	2	
9	SPINNER ARM HOUSING	883	1	
10	TEFLON BEARING BOTTOM	B444	1	
11	TEFLON WASHER	B443	1	
12	SPINNER TUBE	885	1	
13	PANTOGRAPH ARM	896	1	
14	SPRAY ARM	887	2	
15	LOCK NUT	BF418	2	
16	ELBOW BRASS	BF419	2	
17	SPRAY ARM JET 1/8"	B450	2	
18	HOSE COUPLING CAMLOCK 1½"	99881	1	
19	CHECK VALVE	BF416	1	
20	LOCK NUT 1½"	BF417	1	
21	CABLE DRUM REWIND HANDLE & PIN	897	1	
22	SELLOC PIN 1 1/8" X 5/32" ZP	B311	1	
23	WORM DRIVE HOUSING GEAR ASSY	878	1	
24	GEAR MAIN DRIVE	881	1	
25	WORM DRIVE SHAFT	884	1	
26	WORM DRIVE HOUSING	882	1	
27	WORM DRIVE PINION	879	1	
28	BOLT & NUT 1¼" x 5/16" BSW	BN128	3	
29	WASHER SPRING 5/16"	BW126	4	
30	WASHER FLAT 5/16" ZP	B1002	3	
31	BOLT M10 X 25MM ZP	15931	4	
32	WASHER SPRING 10MM ZP	BN358	7	
33	WASHER FLAT 3/8" ZP	BW136	6	
34	BEARING	BB424	2	
35	LOCK COLLAR	899	1	
36	NIPPLE GREASE ¼" UNF	B106	1	
37	CABLE DRUM DRIVE WHEEL	880	1	
38	SPRING DRUM CLUTCH	BX431	1	
39	CABLE DRUM CLUTCH PIN	898	1	
40	CABLE DRUM	895	1	
41	CABLE WITH TRIP WASHER	B305	1	
42	TRIP LEVER	893	1	
43	BOLT 3" X 3/8" HEX BSW ZP	BN446	1	

PLEASE QUOTE **MODEL** AND **SERIAL NUMBER** OF IRRIGATOR WHEN ORDERING PARTS

Trailco Irrigation (Aust.) Phone: (07) 3260 1828 Fax: (07) 3260 1877

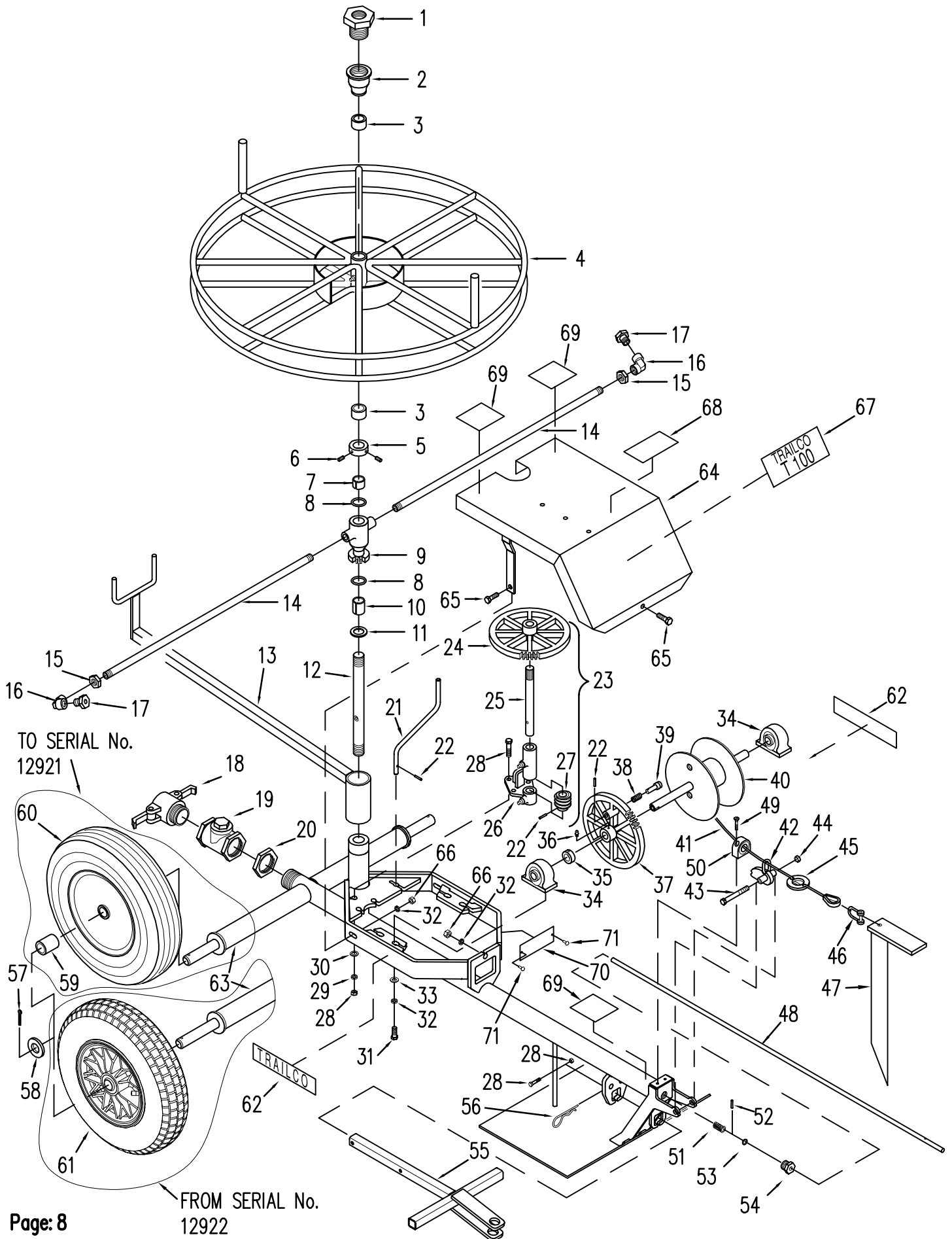
TRAILCO TRAVELLER T 100

MODEL : B

SERIAL No. :

PART No. : 8900

DATE : 22MAR2002





TRAILCO TRAVELLER T 100 MODEL B

PARTS LIST

SERIAL No's :

SECTION :		PART No. : 8900 Page 2 of 2 09-Oct-07		
KEY	DESCRIPTION	PART No.	QTY	DWG No.
44	NUT CONELOCK 3/8" BSW ZP	BN138	1	
45	TRIP WASHER	877	1	
46	SHACKLE "D" 5/16" X 5/16"	15818	1	
47	ANCHOR PEG	894	1	
48	SHUT OFF ROD	891	1	
49	C/SUNK SCREW 3/16" X 1/4" SS	BN429	2	
50	CABLE GUIDE BLOCK	B427	1	
51	SPRING	BX432	1	
52	SELLOC PIN 5/8" X 1/8" S/S	B441	1	
53	O-RING	BO425	1	
54	BUSH BRASS	BF415	1	
55	HANDLE	17022	1	
56	CLIP "R" 6mm DIA	17000	1	
57	PIN SPLIT 6.3mm X 40mm ZP	BP131	2	
58	WASHER FLAT 1" BRT ZP	BW144	2	
59	WHEEL BUSH (TO S/No. 12821)	15819	2	
60	WHEEL AND TYRE ASSEMBLY (TO S/No. 12821)	B428	2	
61	WHEEL AND TYRE ASSEMBLY (FROM S/No. 12822)	16037	2	
62	STICKER "TRAILCO"	AT8	2	
63	CHASSIS	8999	1	
64	SAFETY COVER	15974	1	
65	BOLT 1½" X 3/8" HEX BSW ZP	BN124	3	
66	NUT 3/8" HEX BSW ZP	BN146	3	
67	STICKER "TRAILCO T100"	AT22	1	
68	STICKER-TRAILCO LOGO MEDIUM	AT25	1	
69	STICKER "KEEP CLEAR OF ..."	AT3	3	
70	STICKER MODEL/SERIAL No. PLATE	AT1	1	
71	POP RIVET	B39	2	

PLEASE QUOTE **MODEL** AND **SERIAL NUMBER** OF IRRIGATOR WHEN ORDERING PARTS

Trailco Irrigation (Aust.) Phone: (07) 3260 1828 Fax: (07) 3260 1877

TRAILCO IRRIGATION (AUST.)
A.B.N. 35 480 117 190
STANDARD TERMS OF TRADE

These following Terms of Trade shall apply to and form part of any contract for the supply of goods or services by Trailco Irrigation (Aust) ("Trailco") to another party ("the customer") including any contract arising from oral acceptance of repeat or further orders from the customer for goods or services the same or similar to those to which this contract applies, and shall terminate, cancel and supercede any previous written or oral agreements and understandings (if any) entered into between Trailco and the customer. These Terms of Trade replace any previous Terms of Trade and may be changed only by writing executed by Trailco's management and the customer.

1. OFFERS AND ACCEPTANCE

No quotation given by Trailco shall constitute an offer. An order placed by a customer pursuant to any such quotation is not binding on Trailco unless and until accepted in writing by Trailco.

2. PURCHASE ORDERS

When ordering, an official order ("the following order") is to be submitted to Trailco by the customer showing order number, ABN and full description of the goods and services.

3. PRICES

The prices charged will be those prices charged in Brisbane at the date of delivery.

4. PERFORMANCE

Trailco reserves the right to improve the goods and thereby change the design or specifications thereof without notice to the customer and without incurring any liability to the customer.

5. INDEMNITY

Without prejudice to any other rights Trailco may have, the customer shall indemnify Trailco for any loss, damage or expense incurred by Trailco should the customer breach any term of this contract or cancel any order or part thereof after acceptance by Trailco.

6. DELIVERY

6.1 Delivery to the customer shall be deemed to be effected when the goods are loaded on the delivery vehicle at Trailco's store.

6.2 Goods supplied by Trailco to the customer shall be at the customer's risk immediately upon delivery to the customer, or into the customer's custody (whichever is the sooner), and the customer shall thereafter insure the goods, at its own expense, against such risks as it thinks appropriate.

6.3 The customer shall be responsible for all costs arising out of or incidental to the delivery of goods to the customer, including freight costs.

6.4 Trailco shall not be liable for any loss or damage (including consequential loss or damage) arising from delay in delivery and/or installation of goods ordered or failure to deliver and/or install the goods as a result of any cause or contingency whatsoever and the customer shall accept and pay for the goods and/or installation notwithstanding the delay or late delivery. Trailco will effect delivery and/or installation as soon as practicable after such causes or contingencies cease to affect delivery and/or the installation.

6.5 The customer shall be responsible for and indemnify Trailco for loss or damage to the goods from time of delivery until paid for in full.

6.6 Where delivery or performance of the goods or services is effected by way of part deliveries or performance, Trailco shall be entitled to invoice the customer for pro rata progress payments in respect thereof.

6.7 Deliveries to third parties may be arranged at the request of the customer subject to acceptance by Trailco. Goods delivered to third parties pursuant to this sub-clause shall be deemed to be delivered to the customer.

7. ADDITIONAL CHARGES

Trailco reserves the right to charge the customer for any costs, charges or expenses whatsoever that Trailco may incur on behalf of the customer including, without limiting the generality of the foregoing any costs, charges or expenses incurred as a result of:-

- (a) vehicle or wagon detention (to the extent the same is not caused or contributed to by Trailco);
- (b) demurrage on ships in consequence of any act or omission of the customer; or
- (c) any special requirements or stipulation's of the customer agreed to by Trailco but not provided for in the contract.

8. STORAGE

If Trailco notifies the customer that the goods are ready for delivery and the customer requests Trailco to hold the goods on its behalf or refuses to accept delivery, such goods will be held by Trailco at the customer's risk and Trailco shall be entitled to charge a reasonable storage fee in respect of the goods.

9. RETENTION OF TITLE

9.1 Property in the goods will not pass to the customer until payment by the customer of all monies owing by the customer to Trailco in relation to the supply of goods. Until such time, the customer shall hold the goods as bailee of Trailco.

9.2 Where property in the goods has not passed to the customer, Trailco has the right to enter the premises of the customer, and re-take possession of the goods, and re-sell the goods, notwithstanding the occurrence of the following events:

- (a) if a receiver or a receiver and manager of the customer is appointed.
- (b) if an official manager of the customer is appointed;
- (c) if winding up proceedings are commenced against the customer;
- (d) if, being a natural person, the customer commits an act of bankruptcy, or becomes insolvent or bankrupt.

9.3 The customer shall have the right to sell the goods in the ordinary course of business, as agent for Trailco, and shall have a fiduciary obligation to account to Trailco in relation to the goods, and for the proceeds of any on-sale.

9.4 Until the goods are sold by the customer, the customer shall store the goods separately from its own goods, and in such a manner as to show clearly that they are and remain the property of Trailco.

9.5 Upon sale of the goods, or any part thereof by the customer, the customer shall keep the proceeds of such sale in a separate account on behalf of Trailco and shall apply such proceeds only to the payment of the purchase price to Trailco.

9.6 Notwithstanding clause 13 hereof, the customer shall account to Trailco, in respect of goods which are on-sold by the customer, as soon as the proceeds of sale are received.

9.7 Upon payment by the customer to Trailco of all monies owing to Trailco in respect of all goods supplied by it to the customer, the property in the goods supplied shall pass from Trailco to the customer.

10. WARRANTIES

10.1 Trailco warrants to the original purchaser that it will repair or replace at its option, goods manufactured by Trailco or parts thereof free of charge which on return to Trailco with transport and other freight and associated charges prepaid by the customer, shall be acknowledged by Trailco to be defective in material or workmanship. The warranty herein is subject to the following conditions:-

(a) No claim under warranty will be acknowledged where:-

- (i) one (1) year has lapsed from the date of delivery;
- (ii) the goods have been repaired or altered by an entity other than Trailco or Trailco's authorised agent so as, in Trailco's judgement, to affect its stability or efficiency;
- (iii) subject to clause 10.1(a)(ii), the goods are not returned in a state and condition in which they were delivered;

(b) the terms of payment contained in these terms of trade have been complied with;

(c) the goods have been subject to normal use and service.

10.2 Goods supplied by Trailco but not manufactured by Trailco carry their own warranties and Trailco does not accept liability for any defects in such goods.

10.3 Any liability of Trailco under the warranty in clause 10.1 hereof shall not extend to consequential damages, either direct or indirect.

10.4 The warranty in clause 10.1 herein is given in lieu of all other conditions, warranties and undertakings, expressed or implied which might otherwise be binding on Trailco, all of which are, to the extent permitted by law, expressly excluded and no further responsibility for any consequential damages or any other expenses incurred by the customer will be accepted by Trailco.

10.5 The customer warrants that any goods purchased by the customer are required for the customer's written specifications as described by the customer in the official order and required for no other specifications, whether written or oral.

10.6 Nothing in these Terms of Trade will exclude or modify any condition, warranty, right or liability protected by law where to do so would render any clause of these Terms of Trade void.

11. LIMITATION OF LIABILITY

11.1 Pursuant to Section 68A of the Trade Practices Act 1974, clause 11.2 applies in respect of any of the goods or services supplied under this contract which are not of a kind ordinarily acquired for personal, domestic or household use or consumption.

11.2 Liability for breach of a condition or warranty implied into this contract by the Trade Practices Act 1974 other than a condition implied by Section 69 is limited:-

(a) In the case of goods, to any one of the following as determined by Trailco:

- (i) the replacement of the goods or the supply of equivalent goods; or
- (ii) the repair of the goods; or
- (iii) the payment of the cost of replacing the goods or of acquiring equivalent goods; or
- (iv) the payment of the cost of having the goods repaired;

(b) In the case of services, to any one of the following as determined by Trailco:

- (i) the supplying of the services again; or
- (ii) the payment of the cost of having the services supplied again.

12. GOODS AND SERVICES TAX

12.1 The Trailco printed List Price is Plus 10% GST.

12.2 Unless otherwise stated, quoted prices do not include GST. Should any other tax, fee, levy or duty imposed by any competent authority be payable on any goods or services supplied by Trailco, such tax, fee, levy or duty will be to the customer's account.

13. PAYMENT

13.1 Unless otherwise agreed to, all goods will be supplied on a cash on delivery basis. Trailco shall be entitled to request the payment of a deposit of such amount as it thinks fit. The extension of credit shall be at the absolute discretion of Trailco and where extended, unless otherwise advised in writing, Trailco shall require payment by net cash within 30 days of the end of the month in which the goods were delivered.

13.2 Without in any way limiting Trailco's right to require payment in full on the due date, Trailco may charge interest on an overdue account at the rate of 2.5% above the ANZ Bank's variable Benchmark lending rate as from time to time applicable.

13.3 The customer agrees that Trailco shall be entitled to use the services of a credit agency from time to time to obtain information concerning the customer (and where the customer is a company, its Directors) in order to assess the customer's credit worthiness.

13.4 Should the customer fail to make due payment for any goods or services supplied by Trailco, or being a natural person commits an act of bankruptcy or becomes insolvent or bankrupt, or being a corporation by any act of omission enables the appointment of a scheme manager or trustee, official manager, receiver, receiver and manager or liquidator, Trailco may, without prejudice to other rights it may have, do any of the following:-

- (a) withhold any further deliveries of goods or performance of services required under the contract;
- (b) suspend and/or terminate performance of any other contracts which Trailco has with the customer.

13.5 A statement in writing made up from the books of Trailco and signed by a Manager or Accountant of Trailco, of the moneys owing hereunder in respect of the account of the customer at the date mentioned in such statement, shall be prima facie evidence that such amount is owing.

14. GOODS RETURNED FOR CREDIT

14.1 Subject to clauses 14.2 and 14.3, goods listed in Trailco's published Price List or literature may be credited if returned to Trailco within 30 days of delivery, free into Trailco's store in original packing, in an unsoiled, undamaged and reasonable condition and accompanied by Delivery Docket, stating original invoice number, date of purchase and reason for return.

14.2 No goods will be accepted by Trailco for credit if returned to Trailco after a period of 30 days from delivery, unless prior arrangements have been made.

14.3 No goods will be accepted by Trailco for credit if the said goods were made to a special order.

15. LEGAL CONSTRUCTION

Unless the parties otherwise agree in writing, these Standard Terms of Trade shall be governed by and construed in accordance with the laws of the State or Territory of acceptance of the customer's order by Trailco.

Terms of Trade applicable 01/07/00

