

NATIONAL OFFICE

PO Box 4990
North Rocks NSW 2151
TEL: **(02) 8839 9006**
FAX: **(02) 8839 9152**

SYDNEY

254 Woodpark Rd,
Smithfield NSW 2164
TEL: **(02) 9604 2422**
FAX: **(02) 9604 4435**

MELBOURNE

86 Whiteside Rd,
Clayton VIC 3168
TEL: **(03) 9543 2311**
FAX: **(03) 9543 7420**

BRISBANE

224 Musgrave Rd,
Coopers Plains QLD 4108
TEL: **(07) 3277 2822**
FAX: **(07) 3277 3696**

TOWNSVILLE

49 Enterprise Ave,
Bohle QLD 4816
TEL: **(07) 4774 5044**
FAX: **(07) 4774 5728**

ADELAIDE

550 Churchill Rd,
Kilburn SA 5084
TEL: **(08) 8260 2077**
FAX: **(08) 8349 6931**

PERTH

Sainsbury Rd,
O'Connor WA 6163
TEL: **(08) 9337 4344**
FAX: **(08) 9331 3383**

DARWIN

3846 Marjorie St,
Pinelands NT 0829
TEL: **(08) 8932 8200**
FAX: **(08) 8932 8211**

LAUNCESTON

15 Thistle St,
South Launceston TAS 7249
TEL: **(03) 6344 2521**
FAX: **(03) 6343 1100**

HOTLINE 13 11 69

E-mail info@vinidex.com.au

Website www.vinidex.com.au

SUPERLINK™ II



**NEW IMPROVED RANGE OF DUCTILE IRON FITTINGS
TO SUIT ALL PIPE MATERIALS**



- Lightweight
- Deep Sockets
- Nylon Coated
- Corrosion Resistant
- Series 1 & 2 Adaptable
- WaterMark Licence

WSAA Appraisal - No. 06/11

Benchmark Certification - Lic. No. 3321



SUPERLINK™ II DUCTILE IRON FITTINGS ▶

Latest Development in Ductile Iron Fittings...

Vinidex is renowned for a commitment towards technical advancement and product innovation. Our continuous evaluation programs examine new materials, processing technology and manufacturing equipment to ensure our continued high standard in the pipes and fittings industry.

Marked by radical changes and improvements in design, Vinidex provides the missing link for the most sophisticated PVC pipeline system in the world with an **IMPROVED LIGHTWEIGHT** range of Ductile Iron Fittings. Vinidex's new **SUPERLINK™ II** Ductile Iron Fittings are lighter and more economical but still retaining the longest socket depth of entry available to the industry.



Features

- Lightweight – OH&S risks are reduced
- Corrosion resistant
- Nylon coated
- Deepest socket entry in Australia
- Adaptable with Series 1 & Series 2 pipes
- Superior strength and toughness
- Impact Resistant
- Environmentally sustainable - material efficient & manufactured using less energy

Application

Whether your pipeline is Supermain™ PVC-O, Hydro™ PVC-M, Standard PVC or Ductile Iron - Vinidex SUPERLINK™ II Ductile Iron Fittings are suitable for all pipe materials.

TECHNICAL NOTES

Size Range	DN100 – DN150
Allowable Operating Pressure	1600 kPa
Maximum Deflection	3.5°
Maximum Test Pressure	2500 kPa
Australian Standards	AS/NZS 2280 – Ductile Iron Pipes and Fittings AS/NZS 4020 – Testing of Products for Use in Contact with Drinking Water AS/NZS 4158 – Thermal-bonded Polymeric Coatings on Valves and Fittings for Water AS/NZS 1648 – Elastomeric Seals for Waterwork Services
Certifications	WSAA Appraisal – No. 06/11 February 2007 Benchmark Certification – Lic. No. 3321

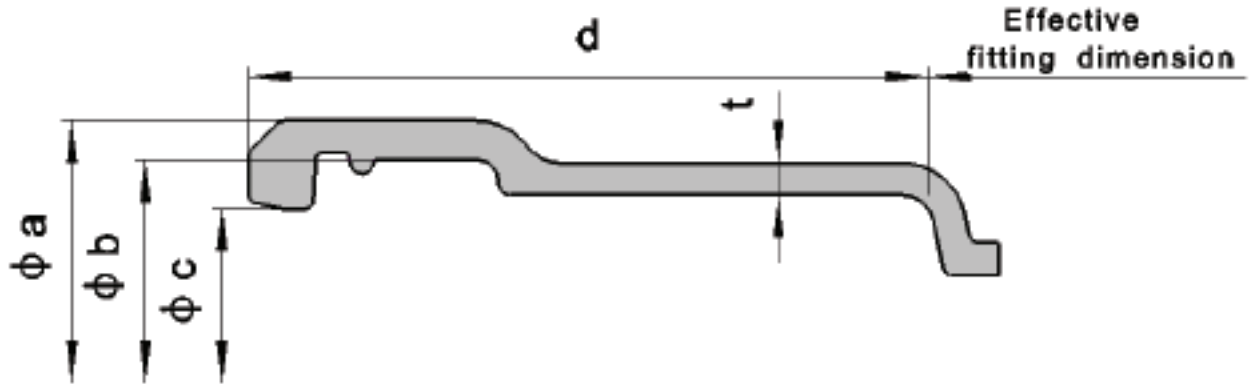
Limitation of Liability

This product catalogue has been compiled by Vinidex Pty Limited ("the Company") to promote better understanding of the technical aspects of the Company's products to assist users in obtaining from them the best possible performance.

The product catalogue is supplied subject to acknowledgement of the following conditions:

- The product catalogue is protected by copyright and may not be copied or reproduced in any form or by any means in whole or in part without prior consent in writing by the Company.
- Product specifications, usage data and advisory information may change from time to time with advances in research and field experience. The Company reserves the right to make such changes at any time without further notice.
- Correct usage of the Company's products involves engineering judgements, which can not be properly made without full knowledge of all the conditions pertaining to each specific installation. The Company expressly disclaims all and any liability to any person whether supplied with this publication or not in respect of anything and all of the consequences of anything done or omitted to be done by any such person in reliance whether whole or part of the contents of this publication.
- No offer to trade, nor any conditions of trading, are expressed or implied by the issue of content of this product catalogue. Nothing herein shall override the Company's Condition of Sale, which may be obtained from the Registered Office or any Sales Office of the Company.
- This product catalogue is and shall remain the property of the Company, and shall be surrendered on demand to the Company.
- Information supplied in this product catalogue does not override a job specification, where such conflict arises; consult the authority supervising the job.

© Copyright Vinidex Pty Limited



SOCKET DIMENSIONS

NOMINAL SIZE (mm)	a	b	c	d	t	DOE
100	157	143	124	120	6 ±1	82
150	213	198	180	128	6 ±1	90

Compatible Rubber Rings

Lip Seal - Series 1 Pipe



100 NB - 114 ØOD Pipe
150 NB - 160 ØOD Pipe

'T' Type - Series 2 Pipe

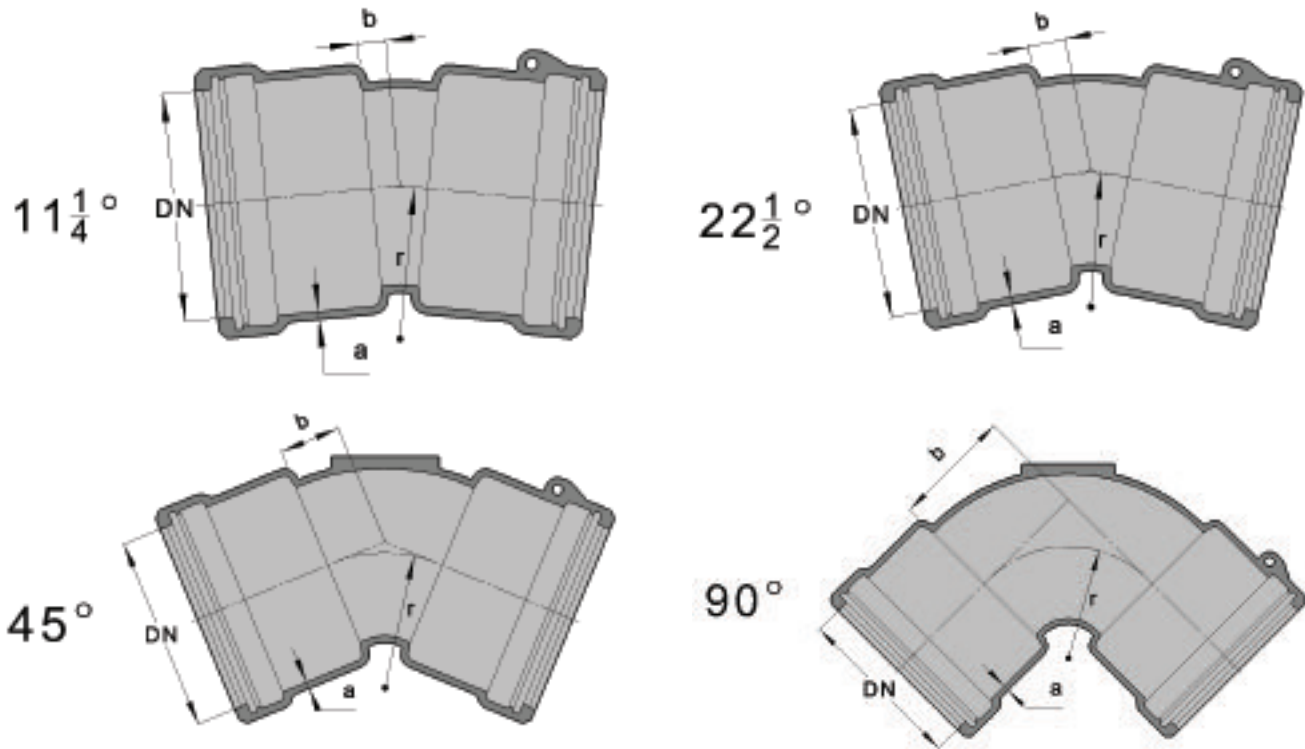


100 NB - 122 ØOD Pipe
150 NB - 177 ØOD Pipe

All dimensions stated are in mm.

SUPERLINK™ II BENDS DN100 - DN150 ▶

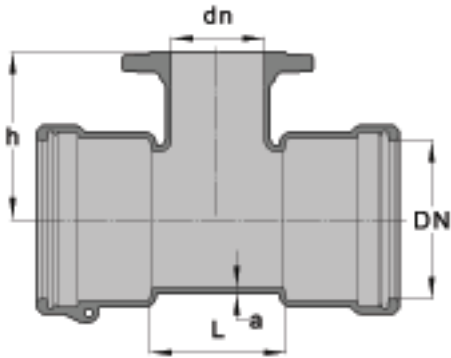
BENDS SO-SO



PRODUCT CODE	NOMINAL SIZE (mm)	DEGREE	a	r	b *	MASS (kg)
77584	100	11¼°	6 ±1	75	20	6.9
77585	100	22½°	6 ±1	75	25	6.9
77586	100	45°	6 ±1	75	45	7.5
77587	100	90°	6 ±1	75	90	8.6
77588	150	11¼°	6 ±1	120	25	10.3
77589	150	22½°	6 ±1	120	35	10.9
77590	150	45°	6 ±1	120	60	11.9
77591	150	90°	6 ±1	120	130	13.7

All dimensions stated are in mm.
* Effective fitting dimension

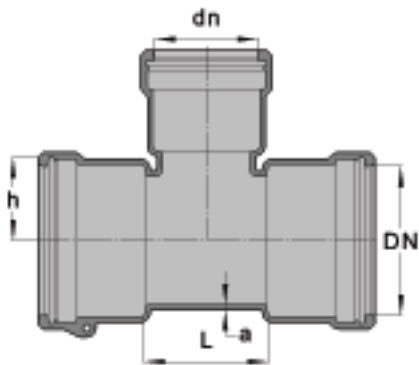
DN100 - DN150



PRODUCT CODE	NOMINAL SIZE (mm) - DN		a	h	L*	MASS (kg)
	Body	Branch				
77592	100	80	6 ±1	155	140	11.9
77593	100	100	6 ±1	165	155	13.9
77594	150	80	6 ±1	185	140	15.6
77595	150	100	6 ±1	190	155	18
77596	150	150	6 ±1	210	205	22.5

All dimensions stated are in mm.
* Effective fitting dimension

DN100 - DN150



PRODUCT CODE	NOMINAL SIZE (mm) - DN		a	h	L*	MASS (kg)
	Body	Branch				
77597	100	100	6 ±1	80	150	11.8
77598	150	100	6 ±1	110	150	15.9
77599	150	150	6 ±1	110	150	18.6

All dimensions stated are in mm.
* Effective fitting dimension

